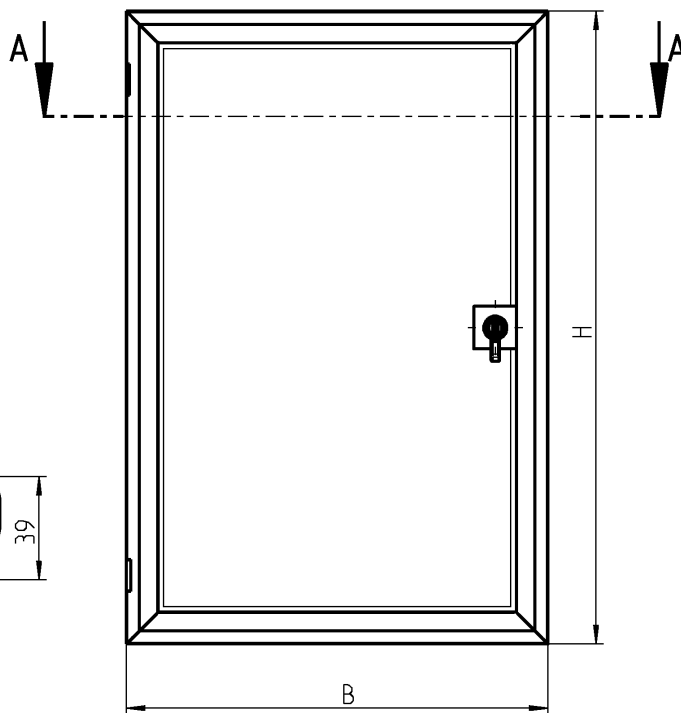
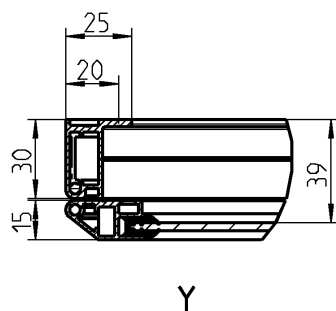
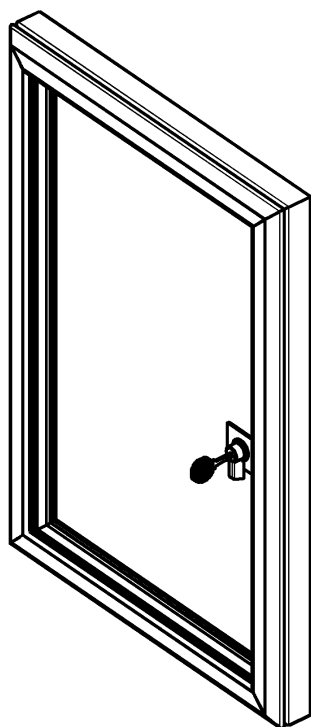


铝合金窗

产品系列 1200

30mm有框铝合金窗, 正面单翅旋转舌锁



		产品型号	
高度 (mm)	宽度(mm)	B →700	→800
	→900/.	1200-U55-07 3/3
→1000/.	1200-U55-08 3/3	1200-U56-08 3/3

锁具个数 铰链个数

订货示例:
如果您需要一个尺寸B=620mm, H=840mm的窗户,
产品型号: 1200-U15-07 620x840

使用多个锁时, 默认提供2233x相同钥匙锁, 根据要求
也可以采用不同钥匙锁

尺寸B和H, 锁具和铰链的个数以及产品型号见右表

氧化铝合金窗, 3mm聚碳酸酯玻璃, 黑色锌合金锁具, 带密封圈



开启角度180°

说明:
有框铝合金窗可按要求安装安全玻璃

可以按照要求安装气压支撑

高度 (mm)	宽度(mm)	300←	→400	→500	→600	→700	→800	→900	→1000
300←		1200-U11-01 1/2	1200-U12-01 1/2	1200-U13-01 1/2	1200-U14-01 1/2	1200-U15-01 1/2			
→400		1200-U11-02 1/2	1200-U12-02 1/2	1200-U13-02 1/2	1200-U14-02 1/2	1200-U15-02 1/2			
→500		1200-U11-03 1/2	1200-U12-03 1/2	1200-U13-03 1/2	1200-U14-03 1/2	1200-U15-03 1/2			
→600		1200-U11-04 1/2	1200-U12-04 1/2	1200-U13-04 1/2	1200-U14-04 1/2	1200-U15-04 2/2			
→700		1200-U11-05 1/2	1200-U12-05 1/2	1200-U13-05 2/2	1200-U14-05 2/2	1200-U15-05 2/2	1200-U16-05 2/2		
→800		1200-U11-06 1/2	1200-U12-06 1/2	1200-U13-06 2/2	1200-U14-06 2/2	1200-U15-06 2/2	1200-U16-06 2/2		
→900		1200-U11-07 2/3	1200-U12-07 2/3	1200-U13-07 2/3	1200-U14-07 2/3	1200-U15-07 3/3	1200-U16-07 3/3	1200-U17-07 3/3	
→1000		1200-U11-08 2/3	1200-U12-08 2/3	1200-U13-08 2/3	1200-U14-08 2/3	1200-U15-08 3/3	1200-U16-08 3/3	1200-U17-08 3/3	1200-U18-08 3/3
→1100			1200-U12-09 2/3	1200-U13-09 2/3	1200-U14-09 2/3	1200-U15-09 3/3	1200-U16-09 3/3	1200-U17-09 3/3	1200-U18-09 3/3
→1200			1200-U12-10 2/3	1200-U13-10 2/3	1200-U14-10 2/3	1200-U15-10 3/3	1200-U16-10 3/3	1200-U17-10 3/3	1200-U18-10 3/3
→1300				1200-U13-11 3/3	1200-U14-11 3/3	1200-U15-11 3/3	1200-U16-11 3/3	1200-U17-11 3/3	1200-U18-11 3/3
→1400				1200-U13-12 3/3	1200-U14-12 3/3	1200-U15-12 3/3	1200-U16-12 3/3	1200-U17-12 3/3	1200-U18-12 3/3
→1500				1200-U13-13 3/3	1200-U14-13 3/3	1200-U15-13 3/3	1200-U16-13 3/3	1200-U17-13 3/3	1200-U18-13 3/3
→1600				1200-U13-14 3/3	1200-U14-14 3/3	1200-U15-14 3/3	1200-U16-14 3/3	1200-U17-14 3/3	1200-U18-14 3/3
→1700					1200-U14-15 3/4	1200-U15-15 3/4	1200-U16-15 3/4	1200-U17-15 3/4	1200-U18-15 3/4
→1800					1200-U14-16 3/4	1200-U15-16 3/4	1200-U16-16 3/4	1200-U17-16 3/4	1200-U18-16 3/4
→1900						1200-U15-17 3/4	1200-U16-17 3/4	1200-U17-17 3/4	1200-U18-17 3/4
→2000						1200-U15-18 3/4	1200-U16-18 3/4	1200-U17-18 3/4	1200-U18-18 3/4