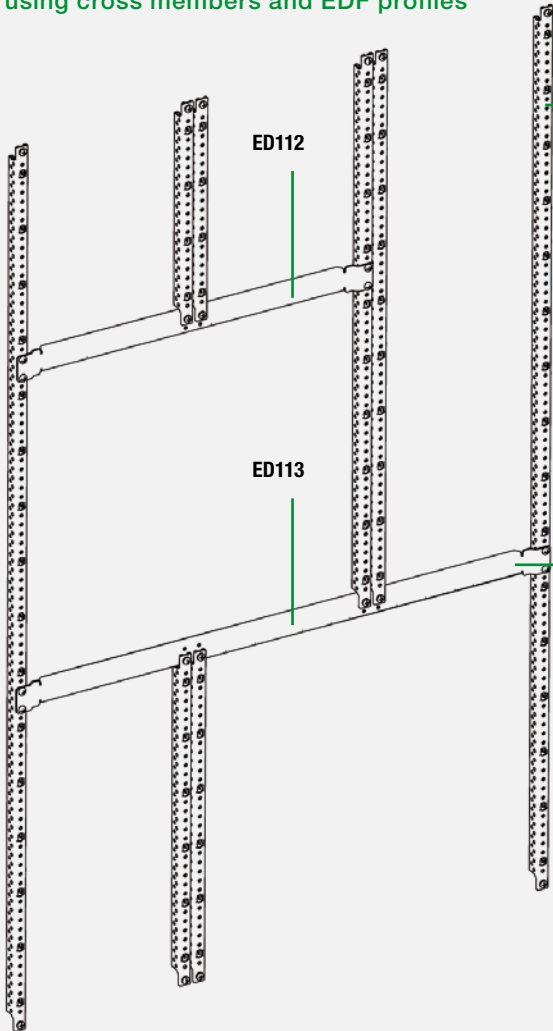


# Distribution panel system CombiLine-M

## EDF mounting frame assembly options

The mounting frame must be ordered separately

### EDF mounting frame configuration options using cross members and EDF profiles



#### Vertical EDF profile

BH	RE	Length	Type
0000	1	150 mm	ED7
000	2	300 mm	ED8
00	3	450 mm	ED9
0	4	600 mm	ED10
1	5	750 mm	ED11
2	6	900 mm	ED12
3	7	1050 mm	ED13
4	8	1200 mm	ED14
5	9	1350 mm	ED15
8	12	1800 mm	ED18
10	14	2100 mm	ED20

#### Cross members

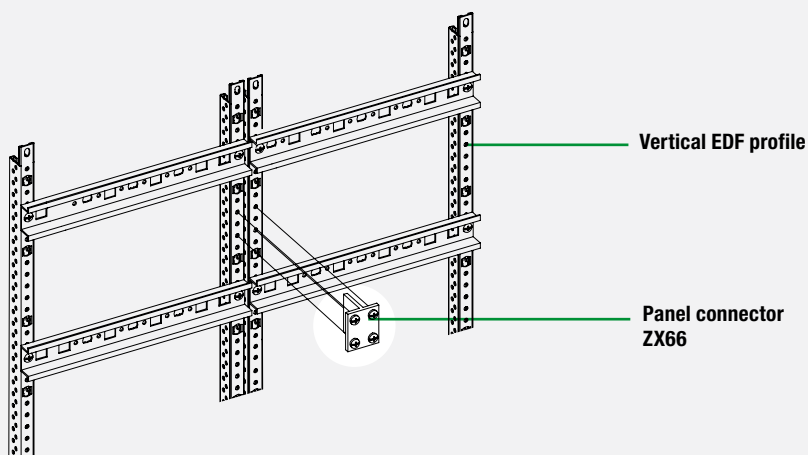
Width	Type
2 panels wide	ED112
3 panels wide	ED113

8

### Assembling several EDF mounting frames next to one another:

If several EDF mounting frames that are located next to one another are being equipped, wired or transported outside of the cabinets, they can be joined with a panel connector ZX66P4. The panel connectors should be located at both the top and bottom of the area between

the mounting frames. In the case of vertical EDF profiles (types ED13, ED14 or ED15), at least one additional panel connector must be fitted (centrally) to ensure the mechanical stability of the mounting frames.



→ For EDF mounting frame parts, see page 8/49