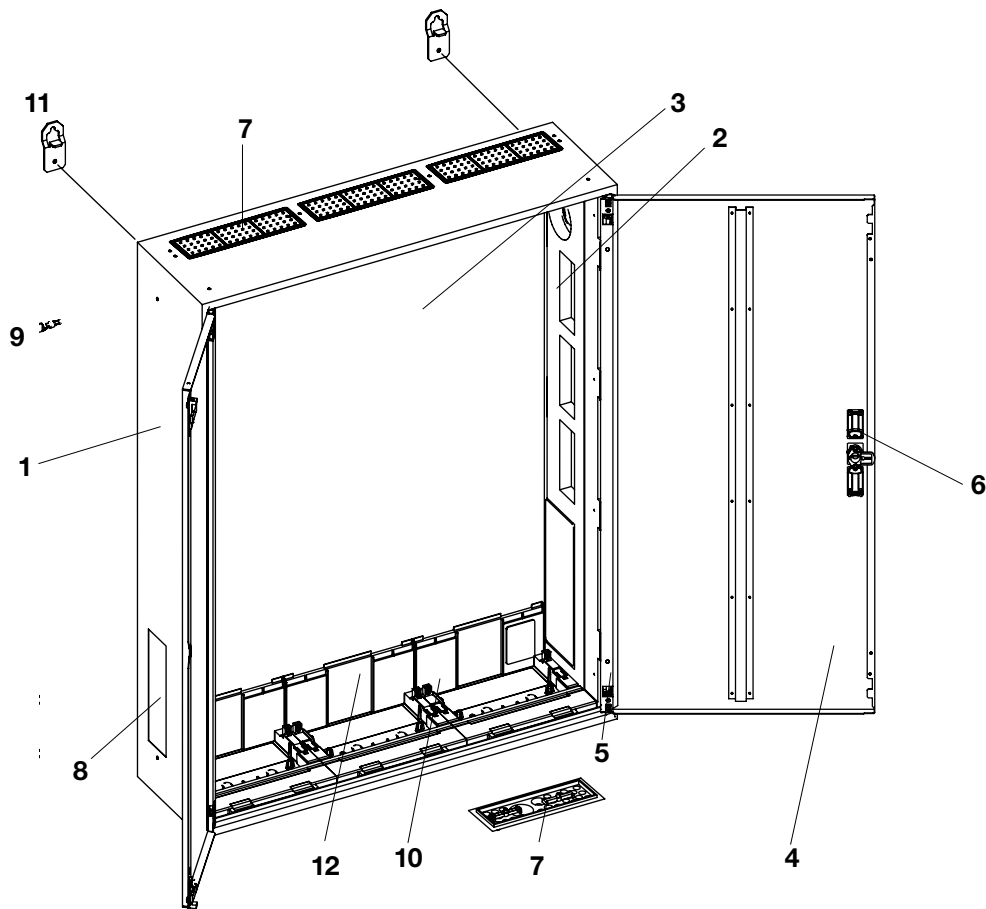


# A wall-mounting cabinets

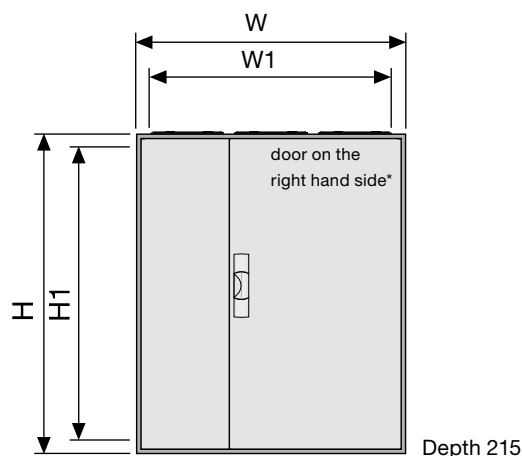
## Technical information

1. The A wall mounting cabinet is made of sheet steel and is powder-coated (RAL 9016). The exceptional stability of the cabinet is provided by the profiled cabinet frame. This enables easy installation (surface mounting, partially recessed mounting or flush mounting).
2. The protective insulation is guaranteed by an inserted plastic profile.
3. Plastic rear wall.
4. The sheet steel door provides a high level of stability thanks to its special shape in the hinge area and on the closing side.
5. The door can be readjusted using the special hinge.
6. Using a special set of accessories, the standard closure can be converted into a three-point espagnolette closure or into a handle closure with semi-cylinder.
7. The flange openings on top are closed with the membrane flange at the factory. There is a ZB40 nipple flange for cable entry from the bottom, in the scope of delivery.
8. Knockouts are prepunched on the sides for busbar connections from cabinet to cabinet and on the bottom for cable entry.
9. The cabinet sides have knockouts on the left and right for connecting the cabinets next to each other. Captive cover caps maintain double insulation (accessories).
10. Thanks to the individual panel holders, the cabinet offers an optimal connection area.
11. The cabinet can be installed with internal fastenings or external fastening brackets (accessories).
12. Knockouts are provided for cable entry from the rear.



## A wall-mounting cabinets

Dimensions, weight, power loss



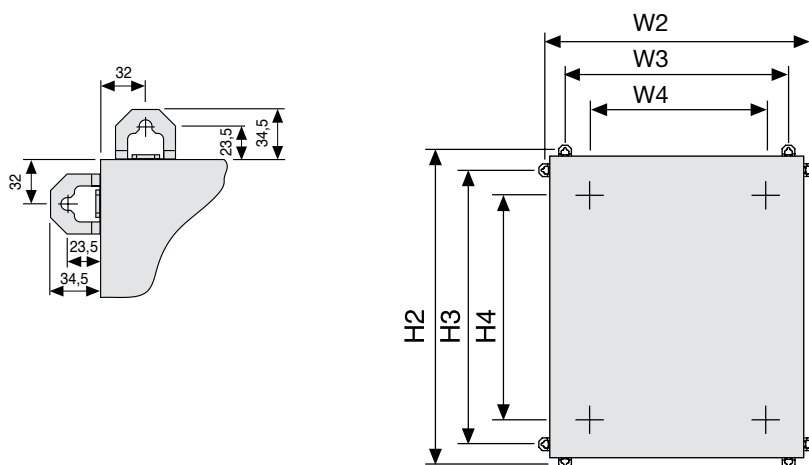
Type	Overall height OH	Panel width PW	Space unit SU	Grid unit GU	Ext. dimensions		Int. dimensions		Door		Weight in kg	Power loss PV (W)
					H	W	H (1)	W (1)	left* H x W	right* H x W		
1/00A	00	1	36	3	500	300	452	252		471.4 x 272	6.2	46
2/00A	00	2	72	3	500	550	452	502		471.4 x 522	8.4	64
3/00A	00	3	108	3	500	800	452	752	471.4 x 260	471.4 x 510	12.2	99
4/00A	00	4	144	3	500	1050	452	1002	471.4 x 510	471.4 x 510	15.8	106
5/00A	00	5	180	3	500	1300	452	1252	471.4 x 510	471.4 x 760	19.6	127
1/0A	0	1	48	4	650	300	602	252		621.4 x 272	7.8	51
2/0A	0	2	96	4	650	550	602	502		621.4 x 522	11.4	74
3/0A	0	3	144	4	650	800	602	752	621.4 x 260	621.4 x 510	15.6	107
4/0A	0	4	192	4	650	1050	602	1002	621.4 x 510	621.4 x 510	16.8	125
5/0A	0	5	240	4	650	1300	602	1252	621.4 x 510	621.4 x 760	24.0	157
1/1A	1	1	60	5	800	300	752	252		771.4 x 272	9.8	57
2/1A	1	2	120	5	800	550	752	502		771.4 x 522	13.4	85
3/1A	1	3	180	5	800	800	752	752	771.4 x 260	771.4 x 510	18.0	118
4/1A	1	4	240	5	800	1050	752	1002	771.4 x 260	771.4 x 510	23.8	149
5/1A	1	5	300	5	800	1300	752	1252	771.4 x 260	771.4 x 760	28.0	192
1/2A	2	1	72	6	950	300	902	252		921.4 x 272	10.8	64
2/2A	2	2	144	6	950	550	902	502		921.4 x 522	15.6	97
3/2A	2	3	216	6	950	800	902	752	921.4 x 260	921.4 x 510	21.0	130
4/2A	2	4	288	6	950	1050	902	1002	921.4 x 510	921.4 x 510	26.8	175
5/2A	2	5	360	6	950	1300	902	1252	921.4 x 510	921.4 x 760	31.2	230
1/3A	3	1	84	7	1100	300	1052	252		1071.4 x 272	12.0	73
2/3A	3	2	168	7	1100	550	1052	502		1071.4 x 522	17.6	109
3/3A	3	3	252	7	1100	800	1052	752	1071.4 x 260	1071.4 x 510	23.6	147
4/3A	3	4	336	7	1100	1050	1052	1052	1071.4 x 510	1071.4 x 510	30.0	204
5/3A	3	5	420	7	1100	1300	1052	1252	1071.4 x 510	1071.4 x 760	35.2	268
1/4A	4	1	96	8	1250	300	1202	252		1221.4 x 272	14.0	81
2/4A	4	2	192	8	1250	550	1202	502		1221.4 x 522	19.2	118
3/4A	4	3	288	8	1250	800	1202	752	1221.4 x 260	1221.4 x 510	26.0	166
4/4A	4	4	384	8	1250	1050	1202	1002	1221.4 x 510	1221.4 x 510	32.4	232
5/4A	4	5	480	8	1250	1300	1202	1252	1221.4 x 510	1221.4 x 760	40.2	303
1/5A	5	1	108	9	1400	300	1352	252		1371.4 x 272	15.0	88
2/5A	5	2	216	9	1400	550	1352	502		1371.4 x 522	22.4	126
3/5A	5	3	324	9	1400	800	1352	752	1371.4 x 260	1371.4 x 510	29.2	189
4/5A	5	4	432	9	1400	1050	1352	1002	1371.4 x 510	1371.4 x 510	35.2	263
5/5A	5	5	540	9	1400	1300	1352	1252	1371.4 x 510	1371.4 x 760	44.0	339

\* Double-wing doors on cabinets with three or more panel widths

(Dimensions in mm)

# A wall-mounting cabinets

## Dimensions, mounting



Type	Overall height OH	Panel width PW	Space unit SU	Grid unit GU	Ext. fastening				Int. fastening		Weight in kg	Power loss in watts
					H (2)	H (3)	W (2)	W (3)	H (4)	W (4)		
1/00A	00	1	36	3	547	436	347	236	402	170	6.2	46
2/00A	00	2	72	3	547	436	597	486	402	420	8.4	64
3/00A	00	3	108	3	547	436	847	736	402	670	12.2	99
4/00A	00	4	144	3	547	436	1097	986	402	920	15.8	106
5/00A	00	5	180	3	547	436	1347	1236	402	1170	19.6	127
1/0A	0	1	48	4	697	586	347	236	552	170	7.8	51
2/0A	0	2	96	4	697	586	597	486	552	420	11.4	74
3/0A	0	3	144	4	697	586	847	736	552	670	15.6	107
4/0A	0	4	192	4	697	586	1097	986	552	920	16.8	125
5/0A	0	5	240	4	697	586	1347	1236	552	1170	24.0	157
1/1A	1	1	60	5	847	736	347	236	702	170	9.8	57
2/1A	1	2	120	5	847	736	597	486	702	420	13.4	85
3/1A	1	3	180	5	847	736	847	736	702	670	18.0	118
4/1A	1	4	240	5	847	736	1097	986	702	920	23.8	149
5/1A	1	5	300	5	847	736	1347	1236	702	1170	28.0	192
1/2A	2	1	72	6	997	886	347	236	852	170	10.8	64
2/2A	2	2	144	6	997	886	597	486	852	420	15.6	97
3/2A	2	3	216	6	997	886	847	736	852	670	21.0	130
4/2A	2	4	288	6	997	886	1097	986	852	920	26.8	175
5/2A	2	5	360	6	997	886	1347	1236	852	1170	31.2	230
1/3A	3	1	84	7	1147	1036	347	236	1002	170	12.0	73
2/3A	3	2	168	7	1147	1036	597	486	1002	420	17.6	109
3/3A	3	3	252	7	1147	1036	847	736	1002	670	23.6	147
4/3A	3	4	336	7	1147	1036	1097	986	1002	920	30.0	204
5/3A	3	5	420	7	1147	1036	1347	1236	1002	1170	35.2	268
1/4A	4	1	96	8	1297	1186	347	236	1152	170	14.0	81
2/4A	4	2	192	8	1297	1186	597	486	1152	420	19.2	118
3/4A	4	3	288	8	1297	1186	847	736	1152	670	26.0	166
4/4A	4	4	384	8	1297	1186	1097	986	1152	920	32.4	232
5/4A	4	5	480	8	1297	1186	1347	1236	1152	1170	40.2	303
1/5A	5	1	108	9	1447	1336	347	236	1302	170	15.0	88
2/5A	5	2	216	9	1447	1336	597	486	1302	420	22.4	126
3/5A	5	3	324	9	1447	1336	847	736	1302	670	29.2	189
4/5A	5	4	432	9	1447	1336	1097	986	1302	920	35.2	263
5/5A	5	5	540	9	1447	1336	1347	1236	1302	1170	44.0	339

(Dimensions in mm)

# A wall-mounting cabinets

## Dimensions, interior configuration

### Cross section with distribution board panels and combinations sets

