



Fill level measurement



Conductive rod probe: STK

with metall thread; up to 5 measuring points,
with 5 rods; medium temperature: -15°C...+150°C;
pressure: 20 bar

Description

The STK rod probes are used in conjunction with the evaluation units (eg, SRA-100-U0) is used for level detection and level control in conductive liquids.

Depending on the number of bars and evaluation devices used, different measurement tasks such as Overflow, dry run, two-step control, moisture detection, etc. are realized.

Depending on model selected can include the container wall as a mass, to be implemented to 5 switch points. The ground connection is made in the probe head and is transferred through the threads on the conductive container.

In the probe head, an additional module (diode module LBM) for permanent circuit monitoring to be installed.

In the case of a line break between the electrode probe and an

appropriate evaluation, the evaluation issue an alert.

By stainless steel process connection, the probe is to 20bar pressure stable and in conjunction with the ETFE- resp. E-CTFE coating, process temperatures up to +150 ° C can be realized.

Application

- Level detection in conductive liquids
- Up to six limit levels simultaneously detectable
- As leakage or overflow protection in containers
- For minimum / maximum / resp. multi-point-detection in containers
- As pump protection, resp. dry run protection in pipelines
- For two-point control of pumps
- For conductivities from 1 µS/ cm
- For process temperatures from -15 ° C up to +150 ° C
- For process pressures from -1 bar up to +10 bar
- Material also for corrosive and aggressive products
- ATEX II 1G Ex ia IIB / IIC T6 ... T1 Ga
- Approved for use in hazardous areas
- Integrated line break monitoring

Your benefits

- Suitable for *aggressive media* due to the use of special material such as Hastelloy; PTFE; ETFE- resp. E-CTFE etc.
- High-quality, coated probe insulation
- *No infiltration by liquids possible*
- Simple switching point adjustment by probe rods that can be shortened

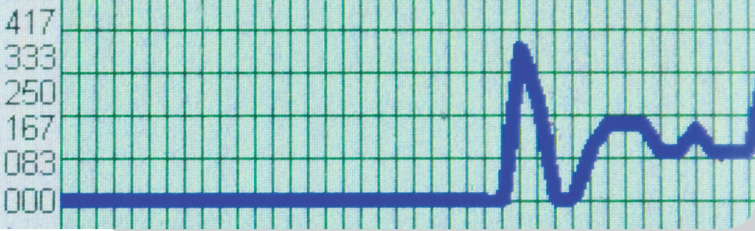
Technical data

Technical data	
Process pressure max:	-1...+20 bar
Medium temperature:	-15°C...150°C
Protection:	IP65 EN/IEC 60529
Material connection housing:	CrNi-steel / POM / PP / PTFE
Material Process connection:	Steel 1.4404 (AISI316L) resp. 1.4571 (AISI316Ti)
Material probe rod:	Steel 1.4404 (AISI316L) resp. 1.4571 (AISI316Ti) / Hastelloy C22 / Titan (medium contact)
Isolation probe rod:	PA / ETFE resp. E-CTFE
Gaskets:	Medium contact: Electrode isolation PA: NBR / Electrode isolation ETFE resp. E-CTFE: FPM, Others: NBR, FPM

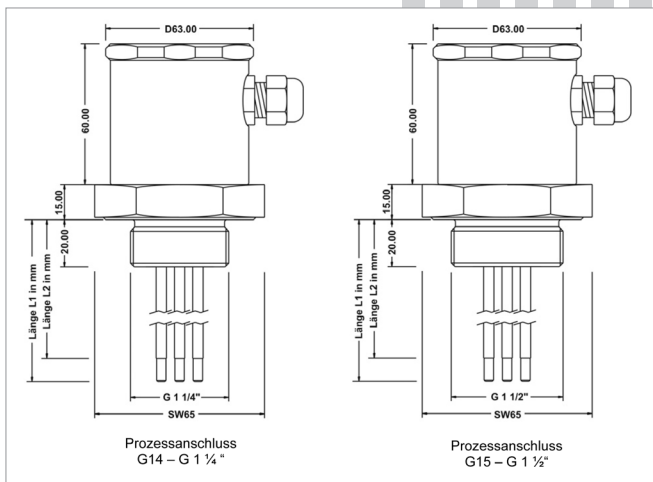
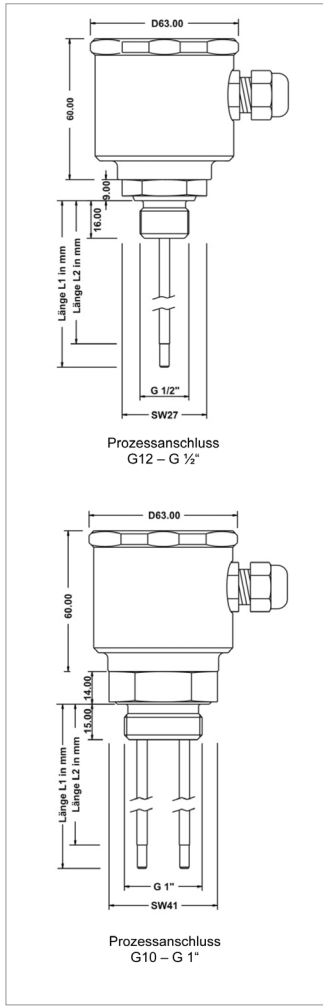


Specials





Bestellschlüssel



Model
 0 Standard
 Ex ATEX II 1 G Ex ia IIB/IIC T6...T1 Ga

Electrode rods

- 1 1 electrode rod
- 2 2 electrode rods
- 3 3 electrode rods
- 4 4 electrode rods
- 5 5 electrode rods

Process connection material steel 1.4404 (AISI 316L) / 1.4571 (AISI 316Ti)

- G12 G $\frac{1}{2}$ " only possible with one electrode rod
- G10 G1" up to three electrode rods possible
- G14 G1 $\frac{1}{4}$ " up to four electrode rods possible
- G15 G1 $\frac{1}{2}$ " up to five electrode rods possible
- G20 G2" up to four electrode rods possible
- F50 Flange EN 1092-1 - DN50, PN 10-40, sealing surface ASTM D 2527
- YYY Others

Material electrode rod

(price per 100mm)

- A4 CrNi-steel, rod diameter 4 mm
- A8 CrNi-steel, rod diameter 8 mm
- A10 CrNi-steel, rod diameter 10 mm
- D Hastelloy C22, rod diameter 4 mm
- T4 Titan not for Ex-version, 4 mm
- T8 Titan not for Ex-version, 8 mm
- T10 Titan not for Ex-version, 10 mm
- E Steel 1.4404 (AISI 316L) / 1.4571 (AISI 316Ti) tantalum tips 20 mm
- Y Others

Material Connection housing

(price per 100mm)

- D POM, Ø 60 mm
- V CrNi-Steel, Ø 60 mm
- M PP, Ø 60 mm
- L PTFE, Ø 60 mm

Material probe insulation

(price per 100mm)

- R PA-Polyamid (standard)
- H4 ETFE resp. E-CTFE, rod diameter 4 mm
- H8 ETFE resp. E-CTFE, rod diameter 8 mm

Circuit monitoring

- A Without circuit monitoring
- B With circuit monitoring

Diameter probe rod

- 0 4 mm (L1 max. 2000mm)
- W 8 mm 8 mm (L1 max. 3000mm)
- Z 10 mm

Length L1 probe rod in mm - up to max. 2500 mm

Length L2 insulation mm

Order code

STK	mm	mm
------------	----	----

Please name every length if you order different probe lengths!
 eg. rod 1: L1/L2, rod 2: L1/L2
 standard lengths in 500 mm increments. Others on request. Probe rods should be shortened by oneself!

Equipment

Order information

- AH-2
- AH-3
- AH-4
- AH-5

Model

- Spacers for 2-rod probes
- Spacers for 3-rod probes
- Spacers for 4-rod probes
- Spacers for 5-rod probes

