

Description

The isolation amplifier AD-TV 2 GX, with a construction width of only 6.2 mm, serves the galvanic separation of DC current signals. The output signal follows linear the input variable and is, up to a limiting value, independent of the connected burden (0/4-20 mA, 1:1 input/output). Due to the narrow design, a high packing density is achieved. In combination with a DIN rail connector, the wiring is considerably reduced.

Application

Burden amplification and galvanic disconnection of impressed DC current signals.



Specific characteristics

- narrow 6.2mm construction
- Supply via DIN rail connector

Business data

Order number

AD-TV 2 GX

Accessory

DIN-rail connector AD-GX Connector

Technical specifications

Input current

| | |
|------------------|-------------|
| Measuring range | 0 ... 20 mA |
| Input resistance | 50 Ohm |

Output current

| | |
|----------------------|-------------|
| Output range | 0 ... 20 mA |
| Max. burden | 400 Ohm |
| Residual ripple | < 0,1 % |
| Open-circuit voltage | < 13V |

Transmission behaviour

| | |
|-----------------------|-------------------|
| Response time | < 50 ms (10-90 %) |
| Linearity error | < 0,1 % |
| Temperature influence | < 70 ppm/K |

Supply

| | |
|-------------------|----------------|
| Voltage range | 18 ... 30 V DC |
| Nominal voltage | 24 V DC |
| Power consumption | < 850 mW |

Housing

| | |
|--------------------------|--|
| Dimensions (WxHxD) | 6,2 x 92 x 101 mm ³ |
| Manner of fastening | DIN rail 35mm EN 50022 |
| Type of protection | IP 20 |
| Connection method | screw clamp (2,5 mm ² flex wire / 4 mm ² one wire) |
| Bolting torque terminals | 0,5 Nm |
| Weight | ~ 70 g |

Environmental conditions

| | |
|-----------------------|----------------------------------|
| Ambient temperature | -10 ... +50 °C |
| Storage and transport | -10 ... +70 °C (no condensation) |

EMC

| | |
|-------------------------|--------------------------------|
| Product family standard | EN 61326-1 |
| Emitted interference | EN 55011, CISPR11 Cl. A, Gr. 1 |

Warning:

This device is not intended to be used in residential areas and can not ensure adequate protection of radio reception in such environments.

Electrical safety requirements

| | |
|-------------------------|------------|
| Product family standard | EN 61010-1 |
| Overvoltage category | II |
| Pollution degree | 2 |

Galvanic isolation, test voltages

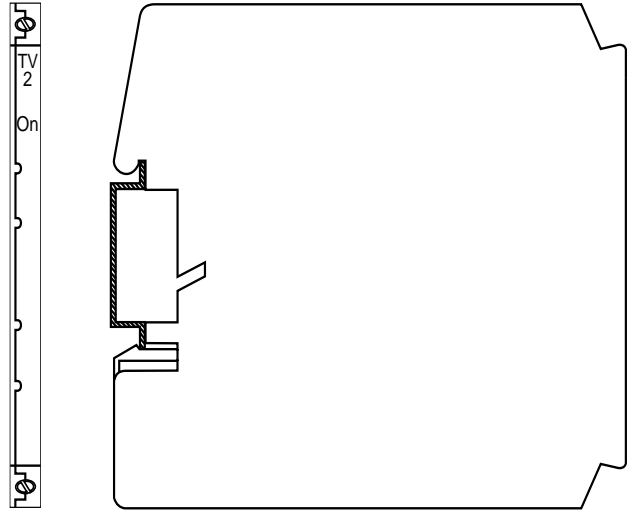
| | |
|--------------------------|---------------|
| Input/output | 1,5 kV, 1 min |
| Signal/auxiliary voltage | 1,5 kV, 1 min |

Isolation Amplifier

AD-TV 2 GX

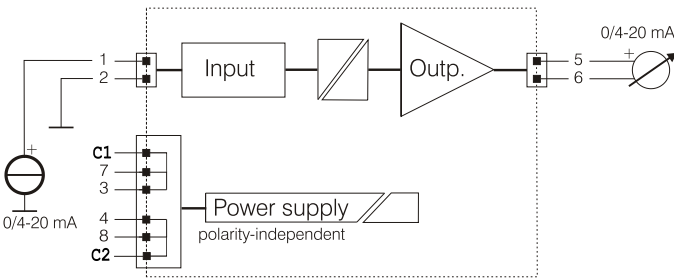
Display and operating elements

Front



| Designation | LED | Meaning |
|-------------|-------|--------------|
| On | green | Power supply |

Block and wiring diagram



Dimensions

