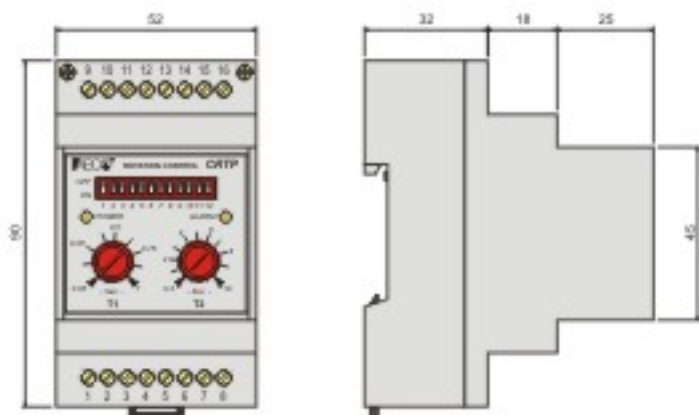




CODE: CRP00017 DESCRIPTION: CRTP 24 Vac/dc



KEY: ■ Standard switching distance ★ Extended switching distance ▲ Embeddable ● Not embeddable

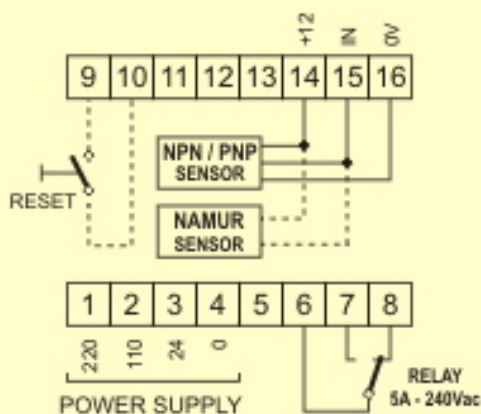
TECHNICAL CHARACTERISTICS

WORKING VOLTAGE :	24 Vac/dc
DETECTABLE ROTATIONS RANGE (RPM) :	0.1 ÷ 2400
DELAYED ALARM ACTIVATION TIME :	0.3 ÷ 10 sec
RESPONSE TIME :	See conversion table RPM / Time
BLOCK FUNCTION - A :	PROGRAMMABLE
AUTORESET FUNCTION - B :	PROGRAMMABLE
ABSORPTION :	2 VA @ RELAY ON
OUTPUT VOLTAGE :	12 V
OUTPUT TYPE :	RELAY
MAX SUPPLY CURRENT :	50 mA
MAX OUTPUT CURRENT :	5A @ 240 Vac
LED :	Red=ALARM / Green=POWER SUPPLY
TEMPERATURE LIMITS :	-20 ÷ 60 °C
IP RATING :	IP20
HOUSING MATERIAL :	PLASTIC
WEIGHT :	330 g
MOUNTING :	35 mm DIN rail

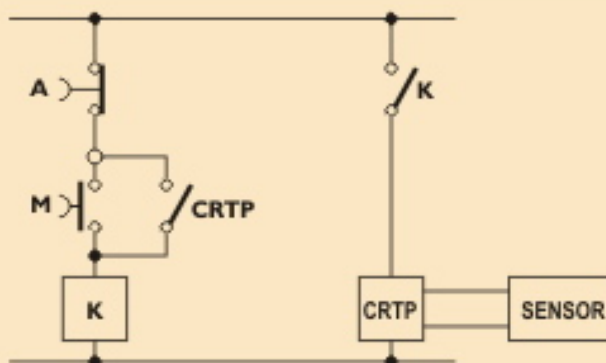


CODE: CRP00017 DESCRIPTION: CRTP 24 Vac/dc

WIRING DIAGRAM



TYPICAL WORKING DIAGRAM





CODE: CRP00017 DESCRIPTION: CRTP 24 Vac/dc

CONVERSION TABLE RPM/TIME AND PROGRAMMABLE FUNCTIONS

DIP SWITCH position	Number of RPM		T1 Seconds		Chart 1
1	2,3	0,1	25,6	512	
2	9,3	0,4	6,4	128	
3	37,5	1,8	1,8	32	
4	75	3,7	0,8	16	
5	150	7,5	0,4	8	
6	300	15	0,2	4	
7	600	30	0,1	2	
8	1200	60	0,05	1	
9	2400	120	0,03	0,5	
10	ON (A FUNCTION)		OFF (B FUNCTION)		
11	ON (NPN SENSOR)		OFF (PNP/NAMUR SENSORS)		
12	ON (SHAFT STANDSTILL)		OFF (ROTATION CONTROL)		

ON ↔ OFF

N.B. The positions from 1 + 9 (Preselection ON) programme the time or RPM ranges. Positions 10-11-12 programme the available functions.

WORKING DIAGRAM

