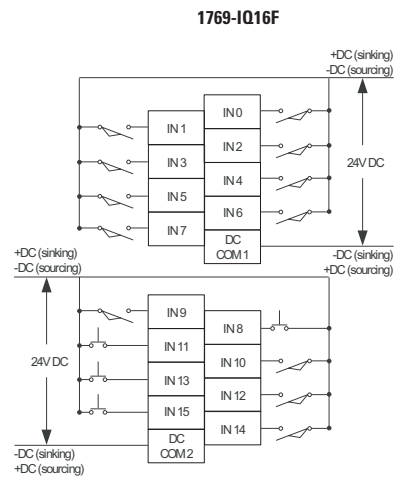


# 1769-IQ16F

Compact 24V DC sink/source, high-speed input module



**Table 33 - Technical Specifications - 1769-IQ16F**

Attribute	1769-IQ16F
Inputs	16 (8 points/group)
Voltage category	24V DC sink/source
Operating voltage range	10...30V DC @ 30 °C (86 °F) 10...26.4V DC @ 60 °C (140 °F)
Digital filter, off to on	0 s, 100 μs, 500 μs, 1 ms, 2 ms
Digital filter, on to off	0 s, 100 μs, 500 μs, 1 ms, 2 ms
Input delay, off to on	100 μs, typical 300 μs, max
Input delay, on to off	250 μs, typical 1 ms, max
Current draw @ 5.1V	110 mA
Heat dissipation, max	3.55 W
Off-state voltage, max	5V DC
Off-state current, max	1.5 mA
On-state voltage, min	10V DC
On-state current, min	2 mA
Inrush current, max	250 mA
Input impedance, nom	3 kΩ
Isolation voltage	Verified by one of the following dielectric tests: 1200V AC for 1 s or 1697V DC for 1 s, input point to bus and group to group 75V DC working voltage (IEC Class 2 reinforced insulation)
Weight, approx	270 g (0.60 lb)
Dimensions (HxWxD), approx	118 x 35 x 87 mm (4.65 x 1.38 x 3.43 in.) Height with mounting tabs 138 mm (5.43 in.)

**Table 33 - Technical Specifications - 1769-IQ16F**

Attribute	1769-IQ16F
Slot width	1
Module location	DIN rail or panel mount
Power supply	1769-PA2, 1769-PB2, 1769-PA4, 1769-PB4
Power supply distance rating	8 modules
Terminal screw torque	0.68 N•m (6 lb•in)
Retaining screw torque	0.46 N•m (4.1 lb•in)
Wire size	(22...14 AWG) solid (22...16 AWG) stranded
Wire type	Cu-90 °C (194 °F)
IEC input compatibility	Type 1+
Replacement terminal block	1769-RTBN18 (1 per kit)
Replacement door label	1769-RL1 (2 per kit)
Replacement door	1769-RD (2 per kit)
Vendor ID code	1
Product type code	7
Product code	69
Enclosure type rating	None (open-style)

**Table 34 - Certifications - 1769-IQ16F**

Certification <sup>(1)</sup>	1769-IQ16F
c-UL	C-UL certified (under CSA C22.2 No. 142) UL 508 listed Class I, Division 2 Group A,B,C,D Hazardous Locations (UL 1604, C-UL under CSA C22.2 No. 213)
CE	CE compliant for all applicable directives
C-Tick	Australian Radiocommunications Act, compliant with: <ul style="list-style-type: none"> <li>AS/NZS CISPR 11; Industrial Enclosure</li> </ul>

(1) When marked. See the Product Certification link at <http://www.ab.com> for Declarations of Conformity, Certificates, and other certification details.