

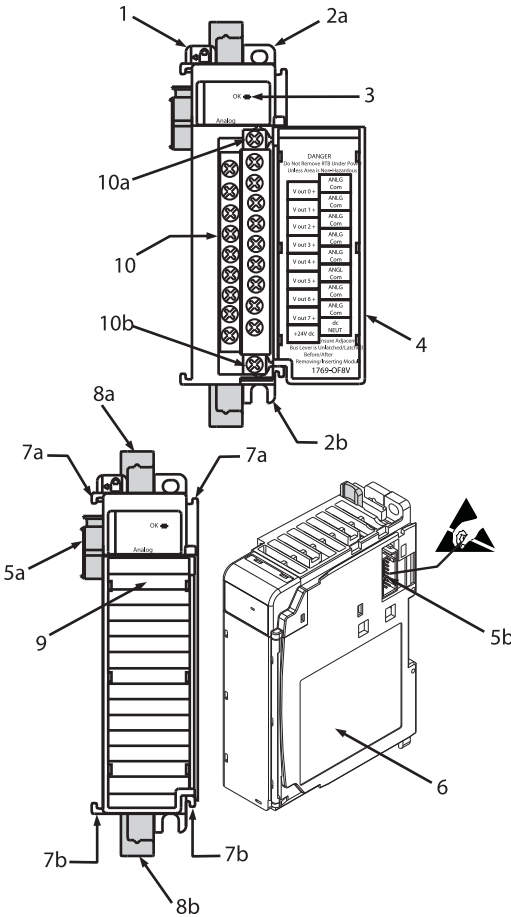


Compact 1769-OF8V Analog Output Module

Inside

Module Description	2
Module Installation.....	3
System Assembly.....	4
Mounting Expansion I/O	5
Replacing a Single Module within a System	7
Module Spare/Replacement Parts	8
Field Wiring Connections.....	8
I/O Memory Mapping	12
Specifications	23
Hazardous Location Considerations	26
Environnements dangereux	27
For More Information.....	28

Module Description



Item	Description
1	bus lever (with locking function)
2a	upper panel mounting tab
2b	lower panel mounting tab
3	module status LED
4	module door with terminal identification label
5a	movable bus connector with female pins
5b	stationary bus connector with male pins
6	nameplate label
7a	upper tongue-and-groove slots
7b	lower tongue-and-groove slots
8a	upper DIN rail latch
8b	lower DIN rail latch
9	write-on label (user ID tag)
10	removable terminal block (RTB) with finger-safe cover
10a	RTB upper retaining screw
10b	RTB lower retaining screw

Module Installation

Compact I/O is suitable for use in an industrial environment when installed in accordance with these instructions. Specifically, this equipment is intended for use in clean, dry environments (Pollution degree 2⁽¹⁾) and to circuits not exceeding Over Voltage Category II⁽²⁾ (IEC 60664-1).⁽³⁾

Prevent Electrostatic Discharge

ATTENTION



Electrostatic discharge can damage integrated circuits or semiconductors if you touch bus connector pins or the terminal block. Follow these guidelines when you handle the module:

- Touch a grounded object to discharge static potential.
- Wear an approved wrist-strap grounding device.
- Do not touch the bus connector or connector pins.
- Do not touch circuit components inside the module.
- If available, use a static-safe work station.
- When not in use, keep the module in its static-shield box.

Remove Power

ATTENTION



Remove power before removing or inserting this module. When you remove or insert a module with power applied, an electrical arc may occur. An electrical arc can cause personal injury or property damage by:

- sending an erroneous signal to your system's field devices, causing unintended machine motion
- causing an explosion in a hazardous environment

Electrical arcing causes excessive wear to contacts on both the module and its mating connector. Worn contacts may create electrical resistance.

⁽¹⁾ Pollution Degree 2 is an environment where, normally, only non-conductive pollution occurs except that occasionally a temporary conductivity caused by condensation shall be expected.

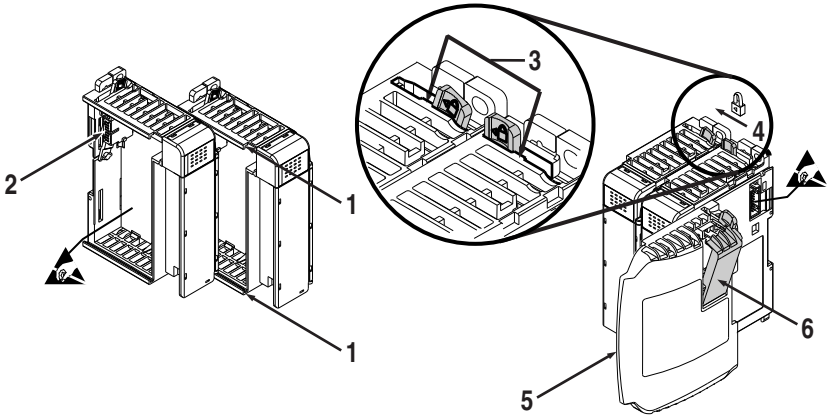
⁽²⁾ Over Voltage Category II is the load level section of the electrical distribution system. At this level transient voltages are controlled and do not exceed the impulse voltage capability of the product's insulation.

⁽³⁾ Pollution Degree 2 and Over Voltage Category II are International Electrotechnical Commission (IEC) designations.

System Assembly

The module can be attached to the controller or an adjacent I/O module *before or after* mounting. For mounting instructions, see “Panel Mounting” on page 6, or “DIN Rail Mounting” on page 7. To work with a system that is already mounted, see “Replacing a Single Module within a System” on page 7.

The following procedure shows you how to assemble the Compact I/O system.



1. Disconnect power.
2. Check that the bus lever of the module to be installed is in the unlocked (fully right) position.
3. Use the upper and lower tongue-and-groove slots (1) to secure the modules together (or to a controller).
4. Move the module back along the tongue-and-groove slots until the bus connectors (2) line up with each other.
5. Push the bus lever back slightly to clear the positioning tab (3). Use your fingers or a small screwdriver.

- To allow communication between the controller and module, move the bus lever fully to the left (4) until it clicks. Ensure it is locked firmly in place.

ATTENTION

When attaching I/O modules, it is very important that the bus connectors are securely locked together to ensure proper electrical connection.



- Attach an end cap terminator (5) to the last module in the system by using the tongue-and-groove slots as before.
- Lock the end cap bus terminator (6).

IMPORTANT

A 1769-ECR or 1769-ECL right or left end cap must be used to terminate the end of the serial communication bus.

Mounting Expansion I/O

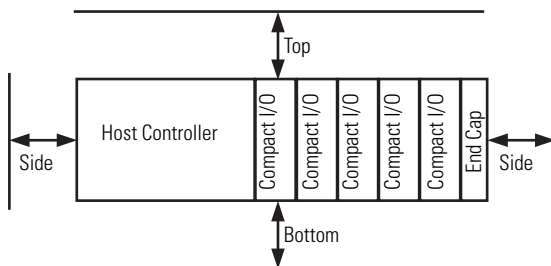
ATTENTION

During panel or DIN rail mounting of all devices, be sure that all debris (metal chips, wire strands, etc.) is kept from falling into the module. Debris that falls into the module could cause damage on power up.



Minimum Spacing

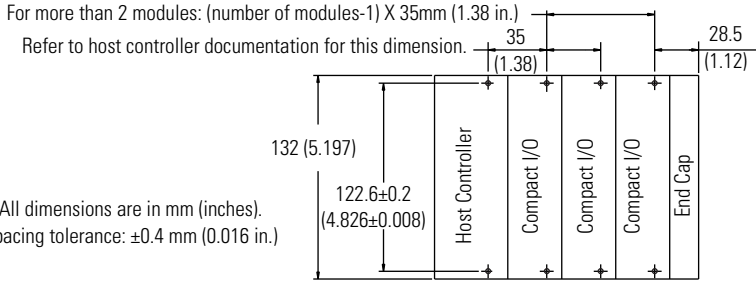
Maintain spacing from enclosure walls, wireways, adjacent equipment, etc. Allow 50 mm (2 in.) of space on all sides for adequate ventilation, as shown:



Panel Mounting

Mount the module to a panel using two screws per module. Use M4 or #8 panhead screws. Mounting screws are required on every module.

Panel Mounting Using the Dimensional Template



Panel Mounting Procedure Using Modules as a Template

The following procedure allows you to use the assembled modules as a template for drilling holes in the panel. If you have sophisticated panel mounting equipment, you can use the dimensional template provided on page 6. Due to module mounting hole tolerance, it is important to follow these procedures:

1. On a clean work surface, assemble no more than three modules.
2. Using the assembled modules as a template, carefully mark the center of all module-mounting holes on the panel.
3. Return the assembled modules to the clean work surface, including any previously mounted modules.
4. Drill and tap the mounting holes for the recommended M4 or #8 screw.
5. Place the modules back on the panel, and check for proper hole alignment.
6. Attach the modules to the panel using the mounting screws.

TIP

If mounting more modules, mount only the last one of this group and put the others aside. This reduces remounting time during drilling and tapping of the next group.

7. Repeat steps 1 to 6 for any remaining modules.

DIN Rail Mounting

The module can be mounted using the following DIN rails: 35 x 7.5 mm (EN 50 022 - 35 x 7.5) or 35 x 15 mm (EN 50 022 - 35 x 15).

Before mounting the module on a DIN rail, close the DIN rail latches. Press the DIN rail mounting area of the module against the DIN rail. The latches will momentarily open and lock into place.

Replacing a Single Module within a System

The module can be replaced while the system is mounted to a panel (or DIN rail). Follow the steps below in order:

1. Remove power. See important note on page 3.
2. On the module to be removed, remove the upper and lower mounting screws from the module (or open the DIN latches using a flat-blade or phillips-style screwdriver).
3. Move the bus lever to the right to disconnect (unlock) the bus.
4. On the right-side adjacent module, move its bus lever to the right (unlock) to disconnect it from the module to be removed.
5. Gently slide the disconnected module forward. If you feel excessive resistance, check that the module has been disconnected from the bus, and that both mounting screws have been removed (or DIN latches opened).

TIP

It may be necessary to rock the module slightly from front to back to remove it, or, in a panel-mounted system, to loosen the screws of adjacent modules.

6. Before installing the replacement module, be sure that the bus lever on the module to be installed, and on the right-side adjacent module are in the unlocked (fully right) position.
7. Slide the replacement module into the open slot.
8. Connect the modules together by locking (fully left) the bus levers on the replacement module and the right-side adjacent module.
9. Replace the mounting screws (or snap the module onto the DIN rail).

Module Spare/Replacement Parts

- Terminal block, catalog number 1769-RTBN12 (1 per kit)
(A-B part number A22112-319-01)
- Door, catalog number 1769-RD (2 per kit)

Field Wiring Connections

Grounding the Module

This product is intended to be mounted to a well-grounded mounting surface such as a metal panel. Additional grounding connections from the module's mounting tabs or DIN rail (if used), are not required unless the mounting surface cannot be grounded. Refer to *Industrial Automation Wiring and Grounding Guidelines*, Allen-Bradley publication 1770-4.1, for additional information.

System Wiring Guidelines

Consider the following when wiring your system:

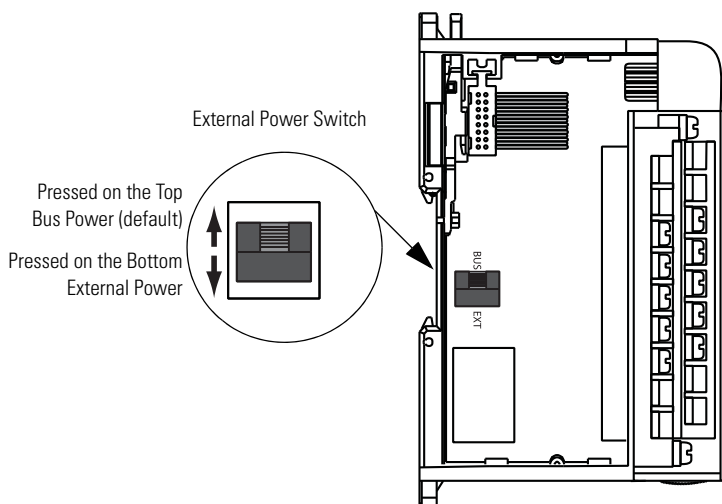
- All module commons (ANLG COM) are connected in the analog module. The analog common (ANLG COM) is not connected to earth ground inside the module.
- Channels are not isolated from each other.
- Use Belden™ 8761, or equivalent, shielded wire.
- Under normal conditions, the drain wire and shield junction must be connected to earth ground, via a panel or DIN rail mounting screw at the analog I/O module end. Keep the shield connection to ground as short as possible.⁽¹⁾
- To ensure optimum accuracy, limit overall cable impedance by keeping your cable as short as possible. Locate the I/O system as close to your sensors or actuators as your application will permit.
- Voltage outputs (Vout 0+ to Vout 7+) of the 1769-OF8V module are referenced to ANLG COM. Load resistance for a voltage output channel must be equal to or greater than 1K Ω

⁽¹⁾ In environments where high frequency noise may be present, it may be necessary to ground the shield via a 0.1 μ F capacitor at the load end and also ground the module end without a capacitor.

External Power Switch

The 1769-OF8V has an external 24V dc power switch which gives you the option of using an external power supply. The switch is located in on the lower left portion of the module's circuit board, as shown below. With this switch pressed on the top (default), 24V dc power is drawn from the 1769 system power supply via the 1769 I/O bus. Pressed on the bottom, 24V dc power is drawn from the external power supply.

Wire the external power supply to the module via the module's terminal block. The external power supply must be rated Class 2, with a 24V dc range of 20.4 to 26.4V dc and 125 mA minimum.



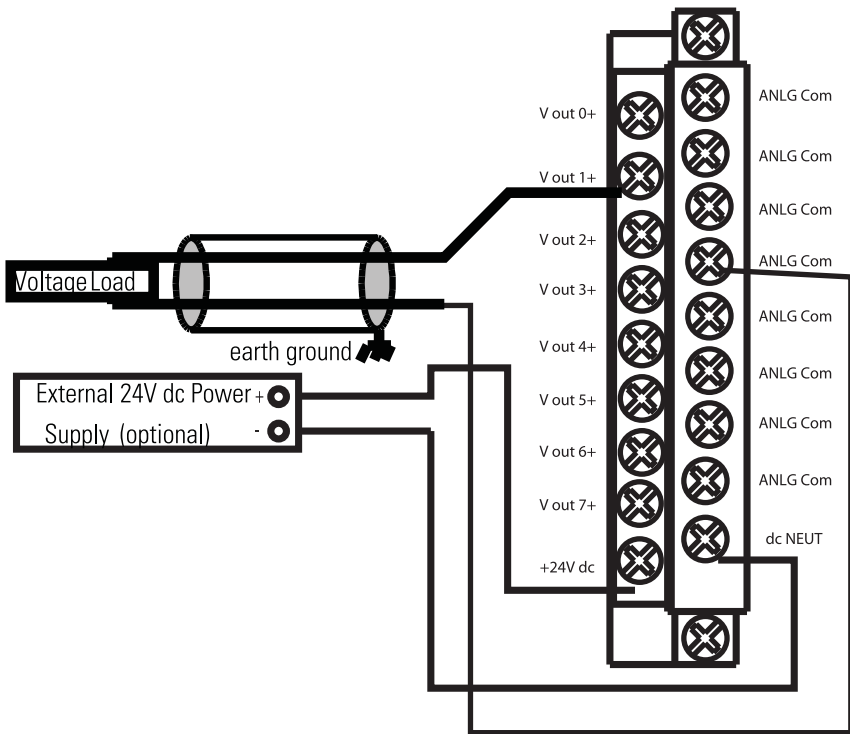
Wiring Output Devices

Basic wiring of output devices is shown below.

ATTENTION



- Miswiring of the module to an AC/DC source will damage the module.
- Be careful when stripping wires. Wire fragments that fall into a module could cause damage at power up. Once wiring is complete, ensure the module is free of all metal fragments.

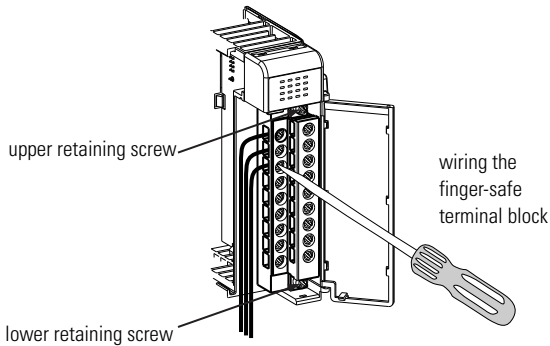


Labeling the Terminals

A removable, write-on label is provided with the module. Remove the label from the door, mark the identification of each terminal with permanent ink, and slide the label back into the door. Your markings (ID tag) will be visible when the module door is closed.

Removing the Finger-Safe Terminal Block

To remove the terminal block, loosen the upper and lower retaining screws. The terminal block will back away from the module as you remove the screws. When replacing the terminal block, torque the retaining screws to 0.46 Nm (4.1 in-lbs).



Wiring the Finger-Safe Terminal Block

When wiring the terminal block, keep the finger-safe cover in place.

1. Loosen the terminal screws to be wired.
2. Route the wire under the terminal pressure plate. You can use the bare wire or a spade lug. The terminals will accept a 6.35 mm (0.25 in.) spade lug.

TIP

The terminal screws are non-captive. Therefore, it is possible to use a ring lug [maximum 1/4 inch o.d. with a 0.139 inch minimum i.d. (M3.5)] with the module.

3. Tighten the terminal screw making sure the pressure plate secures the wire. Recommended torque when tightening terminal screws is 0.68 Nm (6 in-lbs).

TIP

If you need to remove the finger-safe cover, insert a screw driver into one of the square, wiring holes and gently pry the cover off. If you wire the terminal block with the finger-safe cover removed, you will not be able to put it back on the terminal block because the wires will be in the way.

Wire Size and Terminal Screw Torque

Each terminal accepts up to two wires with the following restrictions:

Wire Type		Wire Size	Terminal Screw Torque	Retaining Screw Torque
Solid	Cu-90°C (194°F)	#14 to #22 AWG	0.68 Nm (6 in-lbs)	0.46 Nm (4.1 in-lbs)
Stranded	Cu-90°C (194°F)	#16 to #22 AWG	0.68 Nm (6 in-lbs)	0.46 Nm (4.1 in-lbs)

I/O Memory Mapping

IMPORTANT

If you are using RSLogix 5000, version 15, please refer to RSLogix 5000, Version 15, Controller Tags on page 17.

Output Data File

For each module, slot x, words 0-7 in the output data file contain the channel 0 through channel 7 output data. Word 8 is used to unlatch any alarm condition that has been latched. Refer to the *Compact™ Analog I/O User Manual*, publication number 1769-UM002 for additional details.

Word	Bit Position															
	15	14	13	12	11	10	9	8	7	6	5	4	3	2	1	0
0	SGN	Analog Output Data Channel 0														
1	SGN	Analog Output Data Channel 1														
2	SGN	Analog Output Data Channel 2														
3	SGN	Analog Output Data Channel 3														
4	SGN	Analog Output Data Channel 4														
5	SGN	Analog Output Data Channel 5														
6	SGN	Analog Output Data Channel 6														
7	SGN	Analog Output Data Channel 7														
8	UU7	U07	UU6	U06	UU5	U05	UU4	U04	UU3	U03	UU2	U02	UU1	U01	UU0	U00

- SGN = Sign bit in two's complement format.
- UU = Unlatch under-range (or low-clamp exceeded) alarm.
- UO = Unlatch over-range (or high-clamp exceeded) alarm.

Input Data File

For each module, slot x, input data file words 3-10 contain the state of the module's output data (output data echo) file words 0-7. During normal operation, these input words represent the analog values that the outputs are directed to by the control program.

Word	Bit Position															
	15	14	13	12	11	10	9	8	7	6	5	4	3	2	1	0
0								PF	S7	S6	S5	S4	S3	S2	S1	S0
1	D3	H3	U3	O3	D2	H2	U2	O2	D1	H1	U1	O1	D0	H0	U0	O0
2	D7	H7	U7	O7	D6	H6	U6	O6	D5	H5	U5	O5	D4	H4	U4	O4
3	Channel 0 Data Value															
4	Channel 1 Data Value															
5	Channel 2 Data Value															
6	Channel 3 Data Value															
7	Channel 4 Data Value															
8	Channel 5 Data Value															
9	Channel 6 Data Value															
10	Channel 7 Data Value															

- PF = Analog power fail.
- S = General status (over-range, under-range, or open-circuit).
- D = Open-circuit diagnostics.
- H = Output held bit.
- U = Under-range (or low-clamp exceeded) alarm.
- O = Over-range (or high-clamp exceeded) alarm.

IMPORTANT

The output module's input data file reflects the analog output data echo of the module, not necessarily the electrical state of the output terminals. It does not reflect shorted or open outputs.

Configuration Data File

The manipulation of the bits from this file is normally done with programming software (e.g. RSLogix 500, RSNetWorx for DeviceNet, etc.) during initial configuration of the system. In that case, graphical screens are provided by the programmer to simplify configuration. However, some systems, like the 1769-ADN DeviceNet Adapter, also allow the bits to be altered as part of the control program, using communication rungs. In that case, it is necessary to understand the bit arrangement. The channel configuration words, the first two words of each eight word group, are described on page 16. Refer to the *Compact™ Analog I/O User Manual*, publication number 1769-UM002 for additional details.

Word	Description	Word	Description
0	Channel 0 Configuration Word 0	24	Channel 3 Configuration Word 0
1	Channel 0 Configuration Word 1	25	Channel 3 Configuration Word 1
2	Channel 0 Fault Value Word	26	Channel 3 Fault Value Word
3	Channel 0 Program Idle Mode Word	27	Channel 3 Program Idle Mode Word
4	Channel 0 Low Clamp	28	Channel 3 Low Clamp
5	Channel 0 High Clamp	29	Channel 3 High Clamp
6	Channel 0 Ramp Rate	30	Channel 3 Ramp Rate
7	Channel 0 Spare	31	Channel 3 Spare
8	Channel 1 Configuration Word 0	32	Channel 4 Configuration Word 0
9	Channel 1 Configuration Word 1	33	Channel 4 Configuration Word 1
10	Channel 1 Fault Value Word	34	Channel 4 Fault Value Word
11	Channel 1 Program Idle Mode Word	35	Channel 4 Program Idle Mode Word
12	Channel 1 Low Clamp	36	Channel 4 Low Clamp
13	Channel 1 High Clamp	37	Channel 4 High Clamp
14	Channel 1 Ramp Rate	38	Channel 4 Ramp Rate
15	Channel 1 Spare	39	Channel 4 Spare
16	Channel 2 Configuration Word 0	40	Channel 5 Configuration Word 0
17	Channel 2 Configuration Word 1	41	Channel 5 Configuration Word 1
18	Channel 2 Fault Value Word	42	Channel 5 Fault Value Word
19	Channel 2 Program Idle Mode Word	43	Channel 5 Program Idle Mode Word
20	Channel 2 Low Clamp	44	Channel 5 Low Clamp
21	Channel 2 High Clamp	45	Channel 5 High Clamp
22	Channel 2 Ramp Rate	46	Channel 5 Ramp Rate
23	Channel 2 Spare	47	Channel 5 Spare

Word	Description	Word	Description
48	Channel 6 Configuration Word 0	56	Channel 7 Configuration Word 0
49	Channel 6 Configuration Word 1	57	Channel 7 Configuration Word 1
50	Channel 6 Fault Value Word	58	Channel 7 Fault Value Word
51	Channel 6 Program Idle Mode Word	59	Channel 7 Program Idle Mode Word
52	Channel 6 Low Clamp	60	Channel 7 Low Clamp
53	Channel 6 High Clamp	61	Channel 7 High Clamp
54	Channel 6 Ramp Rate	62	Channel 7 Ramp Rate
55	Channel 6 Spare	63	Channel 7 Spare

Word/Bit	15	14	13	12	11	10	9	8	7	6	5	4	3	2	1	0	
Word 0	E	Reserved						SIU	SIO	LA	ER	FM	PM	HI	PFE		
Word 1	Reserved					Output Data Format Select			Reserved				Output Type/Range				

- E = Channel Enable: (0 = Disabled, 1 = output 0 and hold Enabled, process changes)
- Reserved = Set to zero
- SIU = System interrupt low clamp, under-range alarms: (0 = Disabled, 1 = Enabled)
- SIO = System interrupt high clamp, over-range alarms: (0 = Disabled, 1 = Enabled)
- LA = Latch low/high clamp, under/over-range alarms: (0 = Disabled, 1 = Enabled)
- ER = Enable ramping: (0 = Disabled, 1 = Enabled. Ramp rate limited by fault states.)
- FM = Fault mode: (0 = Hold Last State, 1 = User Defined Value)
- PM = Program mode: (0 = Hold Last State, 1 = User Defined Value)
- HI = Hold for initialization: (0 = Disabled, 1 = Enabled)
- PFE = Program/idle to fault enable: (0 = Disabled, 1 Enabled)

Channel Configuration Words

The first two words of each eight word group in the configuration file allow you to change the parameters of each channel independently. For example, words 8 and 9 correspond to channel 1 while words 56 and 57 correspond to channel 7.

Define	Indicate this	These bit settings															
		15	14	13	12	11	10	9	8	7	6	5	4	3	2	1	0
Program (Idle) to Fault Enable	Program (Idle) Mode Data Applied ⁽¹⁾		0	0	0	0	0	0	0	0							0
	Fault Mode Data Applied ⁽¹⁾		0	0	0	0	0	0	0	0							1
Hold for Initialization	Disabled		0	0	0	0	0	0	0	0							0
	Enabled		0	0	0	0	0	0	0	0							1
Program (Idle) Mode	Hold Last State ⁽¹⁾		0	0	0	0	0	0	0	0					0		
	User-Defined Value ⁽¹⁾		0	0	0	0	0	0	0	0						1	
Fault Mode	Hold Last State ⁽¹⁾		0	0	0	0	0	0	0	0				0			
	User-Defined Fault Value ⁽¹⁾		0	0	0	0	0	0	0	0				1			
Enable Ramping	Disabled		0	0	0	0	0	0	0	0			0				
	Enabled		0	0	0	0	0	0	0	0			1				
System Interrupt High Clamp	Disabled		0	0	0	0	0	0	0	0		0					
	Enabled		0	0	0	0	0	0	0	0		1					
System Interrupt Low Clamp	Disabled		0	0	0	0	0	0	0	0	0						
	Enabled		0	0	0	0	0	0	0	0	1						
Enable Channel	Disabled	0	0	0	0	0	0	0	0	0							
	Enabled	1	0	0	0	0	0	0	0	0							

⁽¹⁾ These functions are not supported by all controllers (e.g. MicroLogix 1500) using any configuration method. Refer to your controller manual for details.

Define	Indicate this	These bit settings															
		15	14	13	12	11	10	9	8	7	6	5	4	3	2	1	0
Output Range Select	-10 to +10V dc	0	0	0	0	0				0	0	0	0	0	0	0	0
	0 to 5V dc	0	0	0	0	0				0	0	0	0	0	0	0	1
	0 to 10V dc	0	0	0	0	0				0	0	0	0	0	0	1	0
	1 to 5V dc	0	0	0	0	0				0	0	0	0	0	0	1	1
Output Data Select	Raw/Proportional Counts	0	0	0	0	0	0	0	0	0	0	0	0				
	Engineering Units	0	0	0	0	0	0	0	1	0	0	0	0				
	Scaled for PID	0	0	0	0	0	0	1	0	0	0	0	0				
	Percent Range	0	0	0	0	0	0	1	1	0	0	0	0				

RSLogix 5000, Version 15, Controller Tags

Use the following controller tags with RSLogix 5000, version 15 and later.

Channel 0 and 1 Configuration Data

Channel 0 and 1 configuration data is shown below. The same information applies to all channels.

-	Local:1:C	AB:1769_OF8V:C:0	
	Local:1:C.Ch0ProgToFaultEn	BOOL	Decimal
	Local:1:C.Ch0HoldForInit	BOOL	Decimal
	Local:1:C.Ch0ProgMode	BOOL	Decimal
	Local:1:C.Ch0FaultMode	BOOL	Decimal
	Local:1:C.Ch0RampEn	BOOL	Decimal
	Local:1:C.Ch0AlarmLatchEn	BOOL	Decimal
	Local:1:C.Ch0OverRangeInterruptEn	BOOL	Decimal
	Local:1:C.Ch0UnderRangeInterruptEn	BOOL	Decimal
	Local:1:C.Ch0En	BOOL	Decimal
+	Local:1:C.Ch0Range	SINT	Decimal
+	Local:1:C.Ch0DataFormat	SINT	Decimal
+	Local:1:C.Ch0FaultValue	INT	Decimal
+	Local:1:C.Ch0ProgValue	INT	Decimal
+	Local:1:C.Ch0LClampValue	INT	Decimal
+	Local:1:C.Ch0HClampValue	INT	Decimal
+	Local:1:C.Ch0RampRate	INT	Decimal
	Local:1:C.Ch1ProgToFaultEn	BOOL	Decimal
	Local:1:C.Ch1HoldForInit	BOOL	Decimal
	Local:1:C.Ch1ProgMode	BOOL	Decimal
	Local:1:C.Ch1FaultMode	BOOL	Decimal
	Local:1:C.Ch1RampEn	BOOL	Decimal
	Local:1:C.Ch1AlarmLatchEn	BOOL	Decimal
	Local:1:C.Ch1OverRangeInterruptEn	BOOL	Decimal
	Local:1:C.Ch1UnderRangeInterruptEn	BOOL	Decimal

	Local:1:C.Ch1En	BOOL	Decimal
+	Local:1:C.Ch1Range	SINT	Decimal
+	Local:1:C.Ch1DataFormat	SINT	Decimal
+	Local:1:C.Ch1FaultValue	INT	Decimal
+	Local:1:C.Ch1ProgValue	INT	Decimal
+	Local:1:C.Ch1LClampValue	INT	Decimal
+	Local:1:C.Ch1HClampValue	INT	Decimal
+	Local:1:C.Ch1RampRate	INT	Decimal

Tag Name	To Select	Make These Bit Settings ⁽¹⁾									
		15-8	7	6	5	4	3	2	1	0	
Ch#ProgToFaultEn	Enable										1
	Disable										0
Ch#HoldForInit	Enable										1
	Disable										0
Ch#ProgMode	Enable										1
	Disable										0
Ch#FaultMode	Enable										1
	Disable										0
Ch#RampEn	Enable										1
	Disable										0
Ch#AlarmLatchEn	Enable										1
	Disable										0
Ch#OverRangeInterruptEn	Enable										1
	Disable										0
Ch#UnderRangeInterruptEn	Enable										1
	Disable										0
Ch#En	Enable										1
	Disable										0
Ch#Range	-10...+10V dc									0	0
	0...5V dc									0	1
	0...10V dc									1	0
	1...5V dc									1	1
Ch#DataFormat	Raw/proportional counts									0	0
	Engineering units									0	1
	Scaled for PID									1	0
	Percent range									1	1

⁽¹⁾ All bit positions left blank in table must be set to 0.

Input Data

-	Local:1:1	AB:1769_OF8V:1:0	
+	Local:1:1.Fault	DINT	Binary
+	Local:1:1.CombinedStatus	SINT	Binary
	Local:1:1.Ch0Status	BOOL	Decimal
	Local:1:1.Ch1Status	BOOL	Decimal
	Local:1:1.Ch2Status	BOOL	Decimal
	Local:1:1.Ch3Status	BOOL	Decimal
	Local:1:1.Ch4Status	BOOL	Decimal
	Local:1:1.Ch5Status	BOOL	Decimal
	Local:1:1.Ch6Status	BOOL	Decimal
	Local:1:1.Ch7Status	BOOL	Decimal
+	Local:1:1.ModuleStatus	SINT	Binary
	Local:1:1.PowerFail	BOOL	Decimal
+	Local:1:1.Ch0_1Status	SINT	Binary
	Local:1:1.Ch0OverRange	BOOL	Decimal
	Local:1:1.Ch0UnderRange	BOOL	Decimal
	Local:1:1.Ch0InHold	BOOL	Decimal
	Local:1:1.Ch1OverRange	BOOL	Decimal
	Local:1:1.Ch1UnderRange	BOOL	Decimal
	Local:1:1.Ch1InHold	BOOL	Decimal
+	Local:1:1.Ch2_3Status	SINT	Binary
	Local:1:1.Ch2OverRange	BOOL	Decimal
	Local:1:1.Ch2UnderRange	BOOL	Decimal
	Local:1:1.Ch2InHold	BOOL	Decimal
	Local:1:1.Ch3OverRange	BOOL	Decimal
	Local:1:1.Ch3UnderRange	BOOL	Decimal
	Local:1:1.Ch3InHold	BOOL	Decimal

+	Local:1:I.Ch4_5Status	SINT	Binary
	Local:1:I.Ch4OverRange	BOOL	Decimal
	Local:1:I.Ch4UnderRange	BOOL	Decimal
	Local:1:I.Ch4InHold	BOOL	Decimal
	Local:1:I.Ch5OverRange	BOOL	Decimal
	Local:1:I.Ch5UnderRange	BOOL	Decimal
	Local:1:I.Ch5InHold	BOOL	Decimal
+	Local:1:I.Ch6_7Status	SINT	Binary
	Local:1:I.Ch6OverRange	BOOL	Decimal
	Local:1:I.Ch6UnderRange	BOOL	Decimal
	Local:1:I.Ch6InHold	BOOL	Decimal
	Local:1:I.Ch7OverRange	BOOL	Decimal
	Local:1:I.Ch7UnderRange	BOOL	Decimal
	Local:1:I.Ch7InHold	BOOL	Decimal
+	Local:1:I.Ch0ReadBack	INT	Decimal
+	Local:1:I.Ch1ReadBack	INT	Decimal
+	Local:1:I.Ch2ReadBack	INT	Decimal
+	Local:1:I.Ch3ReadBack	INT	Decimal
+	Local:1:I.Ch4ReadBack	INT	Decimal
+	Local:1:I.Ch5ReadBack	INT	Decimal
+	Local:1:I.Ch6ReadBack	INT	Decimal
+	Local:1:I.Ch7ReadBack	INT	Decimal

Tag Name	Bit Indicates This ⁽¹⁾							
	7	6	5	4	3	2	1	0
Combined Status	Ch7 Status	Ch6 Status	Ch5 Status	Ch4 Status	Ch3 Status	Ch2 Status	Ch1 Status	Ch0 Status
Module Status								Power Fail
Ch0_1 Status		Ch1 InHold	Ch1 Under Range	Ch1 Over Range		Ch0 InHold	Ch0 Under Range	Ch0 Over Range
Ch2_3 Status		Ch3 InHold	Ch3 Under Range	Ch3 Over Range		Ch2 InHold	Ch2 Under Range	Ch2 Over Range
Ch4_5 Status		Ch5 InHold	Ch5 Under Range	Ch5 Over Range		Ch4 InHold	Ch4 Under Range	Ch4 Over Range
Ch6_7 Status		Ch7 InHold	Ch7 Under Range	Ch7 Over Range		Ch6 InHold	Ch6 Under Range	Ch6 Over Range

⁽¹⁾ Bit positions left blank in table are always set to 0.

Output Data

Local:1:0		AB:1769_OF8V:0:0	
+	Local:1:0.Ch0Data	INT	Decimal
+	Local:1:0.Ch1Data	INT	Decimal
+	Local:1:0.Ch2Data	INT	Decimal
+	Local:1:0.Ch3Data	INT	Decimal
+	Local:1:0.Ch4Data	INT	Decimal
+	Local:1:0.Ch5Data	INT	Decimal
+	Local:1:0.Ch6Data	INT	Decimal
+	Local:1:0.Ch7Data	INT	Decimal
+	Local:1:0.AlarmUnlatch	INT	Binary
	Local:1:0.Ch0OverRangeUnlatch	BOOL	Decimal
	Local:1:0.Ch0UnderRangeUnlatch	BOOL	Decimal
	Local:1:0.Ch1OverRangeUnlatch	BOOL	Decimal
	Local:1:0.Ch1UnderRangeUnlatch	BOOL	Decimal
	Local:1:0.Ch2OverRangeUnlatch	BOOL	Decimal
	Local:1:0.Ch2UnderRangeUnlatch	BOOL	Decimal
	Local:1:0.Ch3OverRangeUnlatch	BOOL	Decimal
	Local:1:0.Ch3UnderRangeUnlatch	BOOL	Decimal
	Local:1:0.Ch4OverRangeUnlatch	BOOL	Decimal
	Local:1:0.Ch4UnderRangeUnlatch	BOOL	Decimal
	Local:1:0.Ch5OverRangeUnlatch	BOOL	Decimal
	Local:1:0.Ch5UnderRangeUnlatch	BOOL	Decimal
	Local:1:0.Ch6OverRangeUnlatch	BOOL	Decimal
	Local:1:0.Ch6UnderRangeUnlatch	BOOL	Decimal
	Local:1:0.Ch7OverRangeUnlatch	BOOL	Decimal
	Local:1:0.Ch7UnderRangeUnlatch	BOOL	Decimal

Specifications

General Specifications

Specification	Value
Dimensions	118 mm (height) x 87 mm (depth) x 35 mm (width) height including mounting tabs is 138 mm 4.65 in. (height) x 3.43 in (depth) x 1.38 in (width) height including mounting tabs is 5.43 in.
Approximate Shipping Weight (with carton)	263g (0.58 lbs.)
Storage Temperature	-40°C to +85°C (-40°F to +185°F)
Operating Temperature	0°C to +60°C (32°F to +140°F)
Operating Humidity	5% to 95% non-condensing
Operating Altitude	2000 meters (6561 feet)
Vibration	Operating: 10 to 500 Hz, 5G, 0.030 in. peak-to-peak Relay Operation: 2G
Shock	Operating: 30G, 11 ms panel mounted (20G, 11 ms DIN rail mounted) Non-Operating: 40G panel mounted (30G DIN rail mounted)
Agency Certification	<ul style="list-style-type: none"> • C-UL certified (under CSA C22.2 No. 142) • UL 508 listed • CE compliant for all applicable directives
Hazardous Environment Class	Class I, Division 2, Hazardous Location, Groups A, B, C, D (ISA 12.12-01, C-UL under CSA C22.2 No. 213)
Radiated and Conducted Emissions	EN 61000-6-4 and CISPR 11 Group 1, Class A
<i>Electrical /EMC:</i>	<i>The module has passed testing at the following levels:</i>
<ul style="list-style-type: none"> • ESD Immunity (IEC 61000-4-2) 	<ul style="list-style-type: none"> • 4 kV contact, 8 kV air, 4 kV indirect
<ul style="list-style-type: none"> • Radiated Immunity (IEC 61000-4-3) 	<ul style="list-style-type: none"> • 10 V/m, 80 to 1000 MHz, 80% amplitude modulation, +900 MHz keyed carrier
<ul style="list-style-type: none"> • Fast Transient Burst (IEC 61000-4-4) 	<ul style="list-style-type: none"> • 2 kV, 5 kHz
<ul style="list-style-type: none"> • Surge Immunity (IEC 61000-4-5) 	<ul style="list-style-type: none"> • 1 kV galvanic gun
<ul style="list-style-type: none"> • Conducted Immunity (IEC 61000-4-6) 	<ul style="list-style-type: none"> • 10V rms, 0.15 to 80 MHz⁽¹⁾

⁽¹⁾ Conducted Immunity frequency range may be 150 kHz to 30 MHz if the Radiated Immunity frequency range is 30 MHz to 1000 MHz.

Output Specifications

Specification	1769-OF8V
Analog Normal Operating Ranges ⁽¹⁾	± 10V dc, 0 to 10V dc, 0 to 5V dc, 1 to 5V dc
Full Scale Analog Ranges ⁽¹⁾	± 10.5V dc, -0.5 to 10.5V dc, -0.5 to 5.25V dc, 0.5 to 5.25V dc
Number of Outputs	8 single-ended
Bus Current Draw (max.)	145 mA at 5V dc 135 mA at 24V dc ⁽²⁾
Heat Dissipation	2.16 Total Watts (<i>All points - 10.5V into 1 kΩ - worst case calculated.</i>)
Digital Resolution Across Full Range	16 bits plus sign (bipolar) ±10V dc: 15.89 bits, 330 μV/bit 0 to +5V dc: 13.89 bits, 330 μV/bit 0 to +10V dc: 14.89 bits, 330 μV/bit +1 to +5V dc: 13.57 bits, 330 μV/bit
Conversion Rate (all channels) max.	5.0 ms
Step Response to 63% ⁽³⁾	<2.9 ms
Current Load Output	10 mA max.
Load Range Output	> 1 kΩ at 10V dc
Max. Capacitive Load	1 μF
Field Calibration	None required
Overall Accuracy ⁽⁴⁾	±0.5% full scale at 25°C

⁽¹⁾ The over- or under-range flag will come on when the normal operating range (over/under) is exceeded. The module will continue to convert the analog input up to the maximum full scale range. The flag automatically resets when within the normal operating range.

⁽²⁾ If the optional 24V dc Class 2 power supply is used, the 24V dc current draw from the bus is 0 mA.

⁽³⁾ Step response is the period of time between when the D/A converter was instructed to go from minimum to full range until the device is at 63% of full range.

⁽⁴⁾ Includes offset, gain, drift, non-linearity and repeatability error terms.

Specification	1769-OF8V
Accuracy Drift with Temperature	±0.0086% FS per °C
Output Ripple ⁽¹⁾ range 0 to 50 kHz (referred to output range)	±0.05%
Non-linearity (in percent full scale)	±0.05%
Repeatability ⁽²⁾ (in percent full scale)	±0.05%
Output Error Over Full Temperature Range (0 to 60°C [+32 to +140°F])	±0.8%
Output Offset Error (0 to 60°C [+32 to +140°F])	±0.05%
Output Impedance	<1 Ω
Open and Short-Circuit Protection	Yes
Maximum Short-Circuit Current	30 mA
Output Overvoltage Protection	Yes
Output Response at System Power Up and Power Down	± 0.5V dc spike for < 5 ms
Rated Working Voltage ⁽³⁾	30V ac/30V dc
Output Group to Bus Isolation	500V ac or 710V dc for 1 minute (qualification test) 30V ac/30V dc working voltage (IEC Class 2 reinforced insulation)
Module OK LED	On: module has power, has passed internal diagnostics, and is communicating over the bus. Flashing: external power failure. Off: Any of the above is not true.
Channel Diagnostics	Over- or under-range by bit reporting

⁽¹⁾ Output ripple is the amount a fixed output varies with time, assuming a constant load and temperature.

⁽²⁾ Repeatability is the ability of the output module to reproduce output readings when the same controller value is applied to it consecutively, under the same conditions and in the same direction.

⁽³⁾ Rated working voltage is the maximum continuous voltage that can be applied at the input terminal, including the input signal and the value that floats above ground potential (for example, 10V dc input signal and 20V dc potential above ground).

Specification	1769-OF8V
System Power Supply Distance Rating	The module may not be more than 8 modules away from the system power supply.
Optional 24V dc Class 2 Power Supply Voltage Range ⁽¹⁾	20.4 V to 26.4 V dc
Recommended Cable	Belden™ 8761 (shielded)
Vendor I.D. Code	1
Product Type Code	10
Product Code	39
Input Words	11
Output Words	9
Configuration Words	64

⁽¹⁾ Failure to use a Class 2 power supply without regulation within these limits could result in improper module operation.

Hazardous Location Considerations

This equipment is suitable for use in Class I, Division 2, Groups A, B, C, D or non-hazardous locations only. The following WARNING statement applies to use in hazardous locations.

WARNING



EXPLOSION HAZARD

- Substitution of components may impair suitability for Class I, Division 2.
- When in hazardous locations, turn off power before replacing or wiring modules.
- Do not disconnect components unless power has been switched off or the area is known to be non-hazardous.
- This product must be installed in an enclosure.

All wiring must comply with N.E.C. article 501-4(b).

Environnements dangereux

Cet équipement est conçu pour être utilisé dans des environnements de Classe 1, Division 2, Groupes A, B, C, D ou non dangereux. La mise en garde suivante s'applique à une utilisation dans des environnements dangereux.

ATTENTION



DANGER D'EXPLOSION

- La substitution de composants peut rendre cet équipement impropre à une utilisation en environnement de Classe 1, Division 2.
- Ne pas remplacer de composants ou déconnecter l'équipement sans s'être assuré que l'alimentation est coupée et que l'environnement est classé non dangereux.
- Ne pas connecter ou déconnecter des composants sans s'être assuré que l'alimentation est coupée ou que l'environnement est classé non dangereux.

Ce produit doit être installé dans une armoire.

For More Information

For	Refer to this Document	Pub. No.
A more detailed description of how to install and use your Compact I/O with MicroLogix 1500 programmable controller.	MicroLogix 1500 Programmable Controllers User Manual	1764-UM001A-US-P
Detailed information on installing, programming, and troubleshooting your Compact Analog I/O modules.	Compact I/O Analog Modules User Manual	1769-UM002A-EN-P
A detailed description of how to install and use your Compact I/O with the 1769-ADN DeviceNet Adapter.	1769-ADN DeviceNet Adapter User Manual	1769-UM001A-US-P
An overview of the MicroLogix 1500 system, including Compact I/O.	MicroLogix 1500 Programmable Controller with Compact I/O for Expansion	1764-S0001B-EN-P
More information on proper wiring and grounding techniques.	Industrial Automation Wiring and Grounding Guidelines	1770-4.1

If you would like a manual, you can:

- download a free electronic version from the internet: www.ab.com/micrologix or www.theautomationbookstore.com
- purchase a printed manual by:
 - contacting your local distributor or Rockwell Automation representative
 - visiting www.theautomationbookstore.com and placing your order
 - calling 1.800.963.9548 (USA/Canada)
or 001.330.725.1574 (Outside USA/Canada)

MicroLogix and Compact are trademarks of Rockwell Automation.
Belden is a trademark of Belden, Inc.

Notes:

Notes:

Notes:

Rockwell Automation Support

Rockwell Automation provides technical information on the web to assist you in using our products. At <http://support.rockwellautomation.com>, you can find technical manuals, a knowledge base of FAQs, technical and application notes, sample code and links to software service packs, and a MySupport feature that you can customize to make the best use of these tools.

For an additional level of technical phone support for installation, configuration and troubleshooting, we offer TechConnect Support programs. For more information, contact your local distributor or Rockwell Automation representative, or visit <http://support.rockwellautomation.com>.

Installation Assistance

If you experience a problem with a hardware module within the first 24 hours of installation, please review the information that's contained in this manual. You can also contact a special Customer Support number for initial help in getting your module up and running:

United States	1.440.646.3223 Monday – Friday, 8am – 5pm EST
Outside United States	Please contact your local Rockwell Automation representative for any technical support issues.

New Product Satisfaction Return

Rockwell tests all of our products to ensure that they are fully operational when shipped from the manufacturing facility. However, if your product is not functioning and needs to be returned:

United States	Contact your distributor. You must provide a Customer Support case number (see phone number above to obtain one) to your distributor in order to complete the return process.
Outside United States	Please contact your local Rockwell Automation representative for return procedure.

www.rockwellautomation.com

Corporate Headquarters

Rockwell Automation, 777 East Wisconsin Avenue, Suite 1400, Milwaukee, WI, 53202-5302 USA, Tel: (1) 414.212.5200, Fax: (1) 414.212.5201

Headquarters for Allen-Bradley Products, Rockwell Software Products and Global Manufacturing Solutions

Americas: Rockwell Automation, 1201 South Second Street, Milwaukee, WI 53204-2496 USA, Tel: (1) 414.382.2000, Fax: (1) 414.382.4444

Europe: Rockwell Automation SA/NV, Vorstlaan/Boulevard du Souverain 36-BP 3A/B, 1170 Brussels, Belgium, Tel: (32) 2 663 0600, Fax: (32) 2 663 0640

Asia Pacific: Rockwell Automation, 27/F Citicorp Centre, 18 Whitfield Road, Causeway Bay, Hong Kong, Tel: (852) 2887 4788, Fax: (852) 2508 1846

Headquarters for Dodge and Reliance Electric Products

Americas: Rockwell Automation, 6040 Ponders Court, Greenville, SC 29615-4617 USA, Tel: (1) 864.297.4800, Fax: (1) 864.281.2433

Europe: Rockwell Automation, Brühlstraße 22, D-74834 Elztal-Dallau, Germany, Tel: (49) 6261 9410, Fax: (49) 6261 17741

Asia Pacific: Rockwell Automation, 55 Newton Road, #11-01/02 Revenue House, Singapore 307987, Tel: (65) 351 6723, Fax: (65) 355 1733

Publication 1769-IN066D-EN-P - June 2010

PN-79870

Supersedes Publication 1769-IN066C-EN-P - September 2005

Copyright © 2010 Rockwell Automation, Inc. All rights reserved. Printed in the U.S.A.