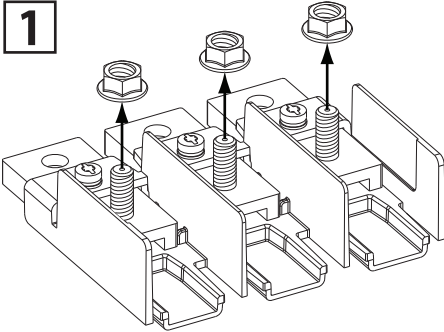
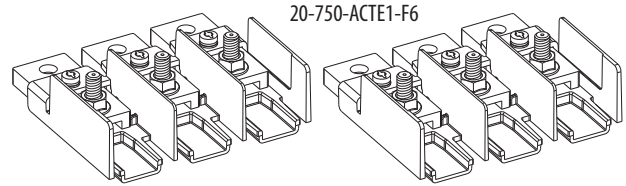




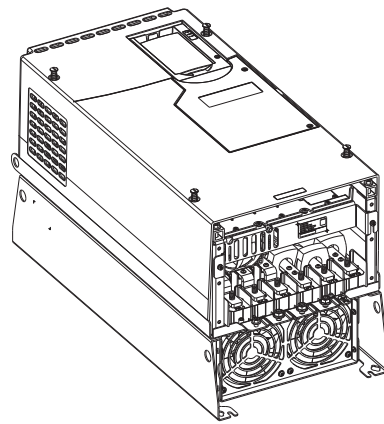
PowerFlex 750-Series AC Terminal Extension Kit Frame 6



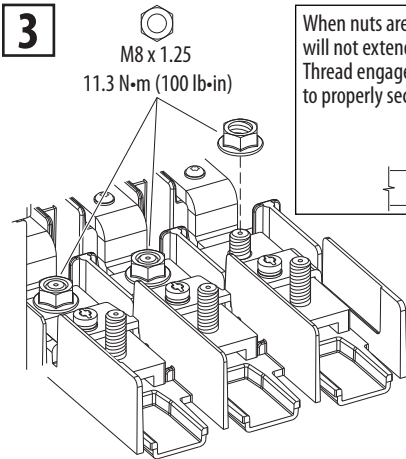
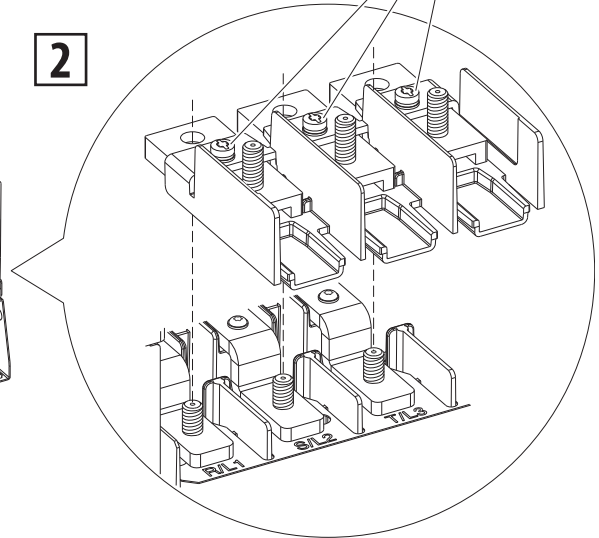
1

M5 screws can be loosened to help with alignment. Re-torque after performing Step 3.

T25
2.82 N·m
(25.0 lb·in)



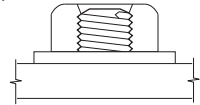
2



3

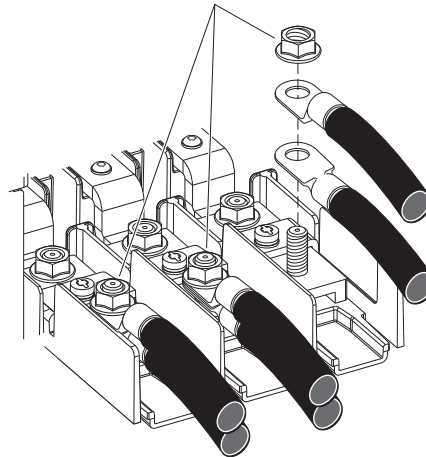
M8 x 1.25
11.3 N·m (100 lb·in)

When nuts are fully seated, the stud will not extend beyond the top edge of the nut. Thread engagement is sufficient to properly secure the extension assembly.



4

M8 x 1.25
11.3 N·m (100 lb·in)



Follow this procedure for both power and motor connections.



www.rockwellautomation.com

Power, Control and Information Solutions Headquarters

Americas: Rockwell Automation, 1201 South Second Street, Milwaukee, WI 53204 USA, Tel: (1) 414.382.2000, Fax: (1) 414.382.4444

Europe/Middle East/Africa: Rockwell Automation, Vorstlaan/Boulevard du Souverain 36, 1170 Brussels, Belgium, Tel: (32) 2 663 0600, Fax: (32) 2 663 0640

Asia Pacific: Rockwell Automation, Level 14, Core F, Cyberport 3, 100 Cyberport Road, Hong Kong, Tel: (852) 2887 4788, Fax: (852) 2508 1846

750-IN012C-MU-P – August 2012
Supersedes 750-IN012B-MU-P – October 2010

