

Single stage industry room thermostats JET-40/-41/-110/-120

Capillary system – external sensor



Technical data

Switching capacity:	15 (8) A, 24–250 V~, min. 150 mA at 24 V~
Contact:	1 microswitch as potential-free changeover contact
Ambient temperature:	JET-40/-41: –20°C ... + (see “max. sensor temperature”) JET-110 R/-120R: –35°C ... + (see “max. sensor temperature”)
Degree of protection:	JET-40/-41: IP 54 JET-110 R/-120R: IP 65
Protection class:	I
Sensor:	JET-40/-41: V2A (1.43 01) JET-110 R/-120R: Cu
Colour:	grey (bottom part RAL 7016, upper part RAL 7035)

Application

Control or monitoring of temperatures in non-aggressive environments in the industrial sphere, e.g. for the control of heating or air conditioning systems in green houses, industrial halls, sports halls, air inflated structures, cold stores, refrigerator and deep freeze rooms.

The JET-110 RF is particularly suited for use as outdoor thermostat.

Type	Item No.	Control range	Max. sensor temperature	Switching-difference	Equipment	PG
JET-40	C 1810605	0...35°C	40°C	1 K	external setting	II
JET-40 F	C 1810606	0...35°C	40°C	1 K	internal setting	II
JET-41	C 1810607	0...70°C	80°C	2 K	external setting	II
JET-41 F	C 1810608	0...70°C	80°C	2 K	internal setting	II
JET-110 R	JA 045100	–35...30°C	35°C	2 ... 20 K adjustable	internal setting (with mechanical range reduction)	II
JET-110 RF	JA 045200	–35...30°C	35°C	2 ... 20 K adjustable	internal setting (with inspection window)	II
JET-120 R	JA 046100	0...60°C	70°C	2 ... 20 K adjustable	external setting (with mechanical range reduction)	II
JET-120 RF	JA 046200	0...60°C	70°C	2 ... 20 K adjustable	internal setting (with inspection window)	II

JET-40F



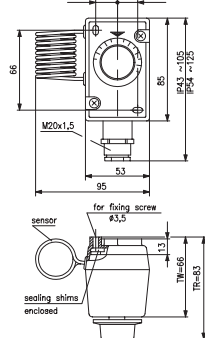
JET-120R



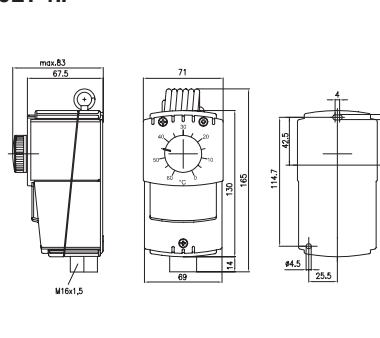
JET-110 RF



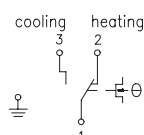
JET-4.



JET-1..



JET-1..



JET-4.

