



ComEx^{flex} Illuminated button

Features

- One module for all fields of application
- Excellent luminosity
- High flexibility thanks to the junction box
- Low installation depth

Description

The ComEx^{flex} illuminated button is used in almost all hazardous (potentially explosive) areas where machine functions are activated by pressing a button and the corresponding functional status is to be indicated visually.

ComEx^{flex} is flexible and in addition to a large number of illuminated button actuators it offers a junction box to facilitate a safe and convenient installation of the module into a control panel. The module contacts are designed as snap-action contact elements.

The conductors are connected by means of terminals on the back of the module which have an increased safety level. The easy installation of the lamp module actuating elements, without tools, ensures conformance to the high IP degree of protection.

Explosion protection

Ex protection type

ATEX II 2G Ex de IIC Gb
 I M2 Ex de I Mb

Certification

PTB 97 ATEX 1064 U

IECEX Ex de IIC Gb
Ex de I Mb

Certification

IECEX PTB 10.0014 U

Further approvals

CSA, NEPSI, GOST, KTL, INMETRO, DNV

Other approvals and certificates,
see www.bartec-group.com

Ambient temperature

-55 °C to +60 °C



Technical data

Protection class

determined by the actuating element and control station enclosure, min. IP 66, terminals IP 20 (IEC 60529).

Rated insulation voltage

300 V

Rated operating voltage

AC 12 V to 250 V ($T_a \leq +50 \text{ }^\circ\text{C}$)
 DC 12 V to 60 V ($T_a \leq +50 \text{ }^\circ\text{C}$)
 AC/DC 12 V to 24 V ($T_a \leq +60 \text{ }^\circ\text{C}$)

Power consumption

< 1 W

Lamp

LED, red, green, yellow, white, blue

Contacts

1 N/C or 1 N/O as snap switch element
 AC 15: 1 A, 230 V

Illumination

very bright, over a visible angle of 180°

Enclosure material

thermoplastic

Type of connection

terminals 2.5 mm², fine-stranded

Service life

electrical: >10⁵ running hours
 mechanical: >10⁵ switching cycles

Storage and transport temperature

-55 °C to +70 °C

Weight

approx. 110 g

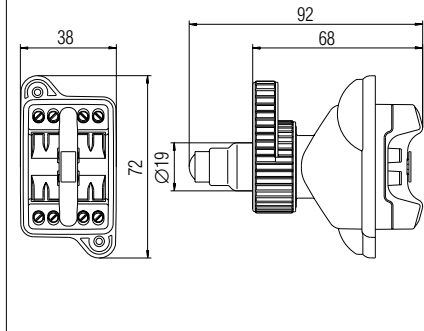
Mounting

locked, bayonet lock

Shock resistance

DIN EN 60068-2-27, 30 g 18 ms

Dimensions



Selection chart

Type of contacts	Code no.	Colour LED	Code no.	Colour actuator	Code no.
1 N/C 	7	red	1	red	5
		green	2	green	6
		yellow	3	yellow	7
1 N/O 	8	white	4	white	8
		blue	5	blue	9

Complete order no.*

Illuminated button
without actuating element

07-3363-4 0

Actuating element

Standard 05-0003-006 00

Increased oil resistance 05-0003-006 00BN

Please enter code number. Technical data subject to change without notice.

* Product printing standard: ATEX and IECEx marking.
 Other markings on request. Please specify in plain text.