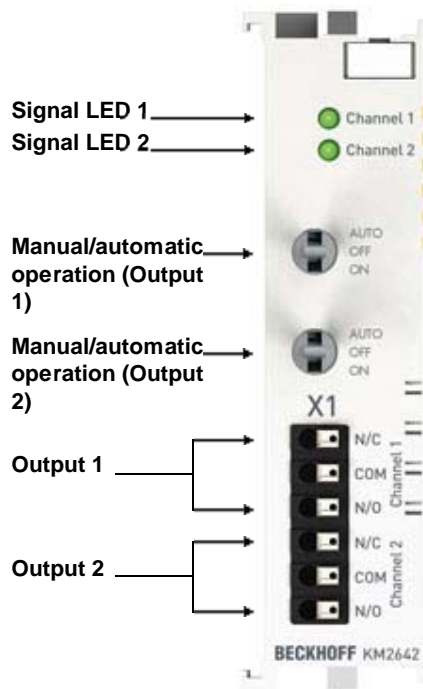


## Digital Output KM26x2



Top view

### KM2642, KM2652 | 2-channel relay module 230 V AC, 6 A, manual/automatic operation

The digital KM2642 and KM2652 output terminals have two independent relay change-over contacts, which can be used for switching mains current consumers. For each channel a switch enables selection between automatic, manual on, manual off. In automatic mode the logical state of an output bit switches the relay. For manual mode a 24 V supply is required for the Bus Coupler. The output state – for KM2652 also the state of the switch – can be read by the controller.

Technical data	KM2642	KM2652
Number of outputs	2 x change-over	
Switching capacity max.	3 kVA	
Switching voltage max.	250 V AC	
Load type	ohmic, inductive, lamp load	
Max. output current	6 A	
Switching current max.	6 A AC	
Minimum permitted load	100 mA (12 V DC)	
Lamp test, electronic ballast	max. 10 A starting current	
Current consumption power contacts	– (no power contacts)	
Current consumption K-bus	typ. 130 mA	
Contact material	AgSnO <sub>2</sub>	
Bit width in the process image	2 inputs (relay ON/OFF), 2 outputs	4 inputs (status hand, auto, relay ON/OFF), 2 outputs
Operating cycles	10 <sup>6</sup>	
Operating cycles mech. (min.)	1 x 10 <sup>6</sup>	
Operating cycles electr. (min.)	1 x 10 <sup>5</sup> (3 A/250 V AC)	

<b>Configuration</b>	no address or configuration setting
<b>Weight</b>	110 g
<b>Operating/storage temperature</b>	0...+55 °C/-25...+85 °C
<b>Relative humidity</b>	95 %, no condensation
<b>Vibration/shock resistance</b>	conforms to EN 60068-2-6/EN 60068-2-27/29
<b>EMC immunity/emission</b>	conforms to EN 61000-6-2/EN 61000-6-4
<b>Protect. class/installation pos.</b>	IP 20/variable

#### Further manual operating terminals

<b>KM1644</b>	4-channel manual operation
<b>KM2614</b>	4-channel relay module 230 V AC, 16 A, potential-free change-over contact, with manual operation
<b>KM4602</b>	2-channel analog output terminal 0...10 V, manual/automatic operation

[Top](#)[Back](#)© Beckhoff Automation 2011 - [Terms of Use](#)