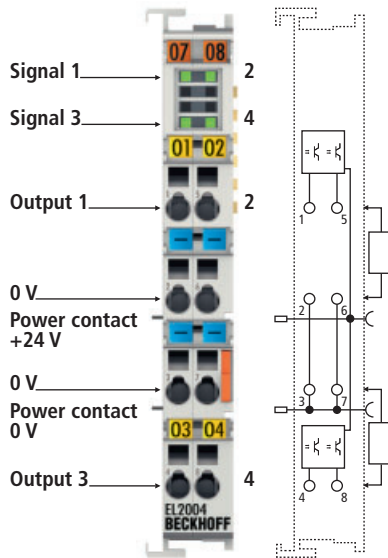
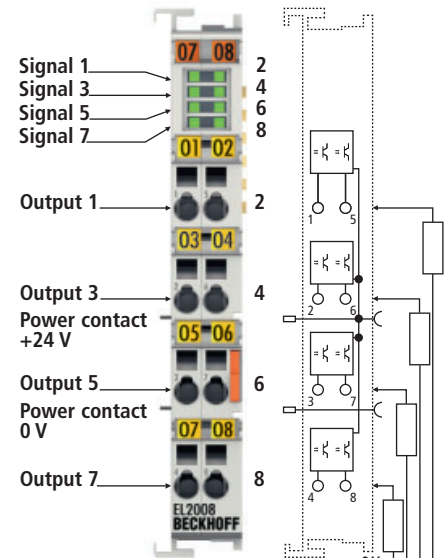


Contact assembly, connection



Contact assembly, connection



Contact assembly, connection

## EL2002, EL2004, EL2008 | 2-, 4-, 8-channel digital output terminals 24 V DC, 0.5 A

The EL2002, EL2004 and EL2008 digital output terminals connect the binary control signals from the automation unit on to the actuators at the process level with electrical isolation. The variants differ in terms of the number of channels and their connection type. The EtherCAT Terminals indicate their signal state via an LED.

Technical data	EL2002   ES2002	EL2004   ES2004	EL2008   ES2008
Number of outputs	2	4	8
Rated load voltage	24 V DC (-15 %/+20 %)		
Load type	ohmic, inductive, lamp load		
Max. output current	0.5 A (short-circuit-proof) per channel		
Reverse voltage protection	yes		
Breaking energy	< 150 mJ/channel		
Switching times	typ. T <sub>ON</sub> : 60 µs, typ. T <sub>OFF</sub> : 300 µs		
Current consumption E-bus	typ. 100 mA	typ. 100 mA	typ. 110 mA
Electrical isolation	500 V <sub>rms</sub> (E-bus/field potential)		
Current consumption power contacts	typ. 15 mA + load		
Bit width in the process image	2 outputs	4 outputs	8 outputs
Configuration	no address or configuration setting		
Weight	approx. 55 g		
Operating/storage temperature	0...+55 °C/-25...+85 °C		
Relative humidity	95 %, no condensation		
Vibration/shock resistance	conforms to EN 60068-2-6/EN 60068-2-27/29		
EMC immunity/emission	conforms to EN 61000-6-2/EN 61000-6-4		
Protect. class/installation pos.	IP 20/variable	IP 20/variable	IP 20/see documentation
Pluggable wiring	for all ESxxxx terminals		
Further information	www.beckhoff.com/EL2002		