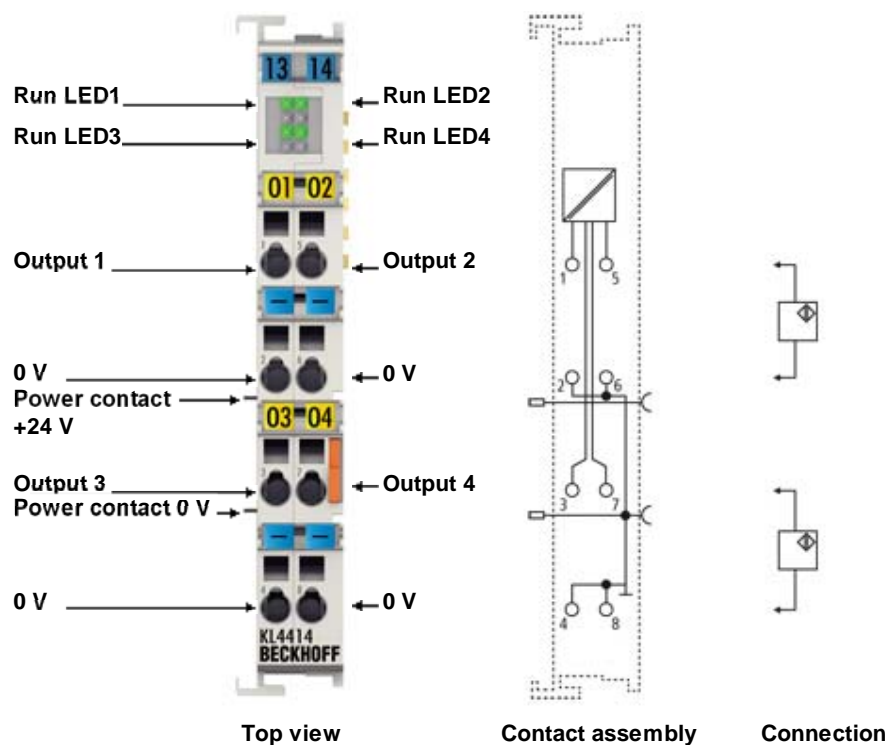


## Analog Output KL441x, KL442x



KL4414, KS4414

KL4418, KS4418

## KL4414/18, KL4424/28 | 4-, 8-channel analog output terminals 0/4...20 mA

The KL4414, KL4418, KL4424 and KL4428 analog output terminals generate signals in the range between 0/4 to 20 mA. The power is supplied to the process level with a resolution of 12 bits and is electrically isolated. The output stage is powered by the 24 V supply. In the KL4414 and KL4424 Bus Terminals, the four outputs are 2-wire versions. The KL4418 and KL4428 variants combine eight channels in one housing and are particularly suitable for space-saving installation in control cabinets. The use of single conductor connection technology enables the connection of multi-channel actuator technology with minimum space requirements.

The Bus Terminals have a common ground potential. The power contacts are connected through. The reference ground of the outputs is the 0 V power contact. The LEDs indicate the data exchange with the Bus Coupler.

Technical data	KL4414   KS4414	KL4418   KS4418	KL4424   KS4424	KL4428   KS4428
Number of outputs	4	8	4	8
Power supply	24 V DC via the power contacts (alternative 15 V DC with Bus Terminal KL9515)			
Signal voltage	0...20 mA	0...20 mA	4...20 mA	4...20 mA
Load	< 350 Ω (short-circuit-proof)	< 150 Ω (short-circuit-proof)	< 350 Ω (short-circuit-proof)	< 150 Ω (short-circuit-proof)
Measuring accuracy	< ±0.1 % (relative to full scale value)	< ±0.2 % (relative to full scale value)	< ±0.1 % (relative to full scale value)	< ±0.2 % (relative to full scale value)
Resolution	12 bits			
Conversion time	~ 4 ms	~ 8 ms	~ 4 ms	~ 8 ms
Electrical isolation	500 V (K-bus/signal voltage)			

<b>Current consumption K-bus</b>	typ. 20 mA			
<b>Bit width in the process image</b>	output: 4 x 16 bit data (4 x 8 bit control/status optional)	output: 8 x 16 bit data (8 x 8 bit control/status optional)	output: 4 x 16 bit data (4 x 8 bit control/status optional)	output: 8 x 16 bit data (8 x 8 bit control/status optional)
<b>Weight</b>	75 g			
<b>Operating/storage temperature</b>	0...+55 °C/-25...+85 °C			
<b>Relative humidity</b>	95 %, no condensation			
<b>Vibration/shock resistance</b>	conforms to EN 60068-2-6/EN 60068-2-27/29			
<b>EMC immunity/emission</b>	conforms to EN 61000-6-2/EN 61000-6-4			
<b>Protect. class/installation pos.</b>	IP 20/variable			
<b>Pluggable wiring</b>	for all KSxxx Bus Terminals			

**Product announcement** **KL4414, KL4418, KL4424, KS4424, KL4428: available**  
KS4414, KS4418, KS4428: estimated market release  
1st quarter 2011

[Top](#)[Back](#)© Beckhoff Automation 2011 - [Terms of Use](#)