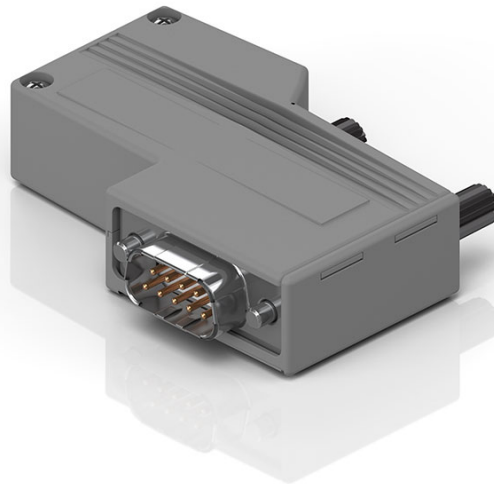
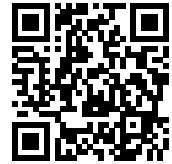


ZS1051-3000 | CANopen, D-sub connector, with integrated termination resistor



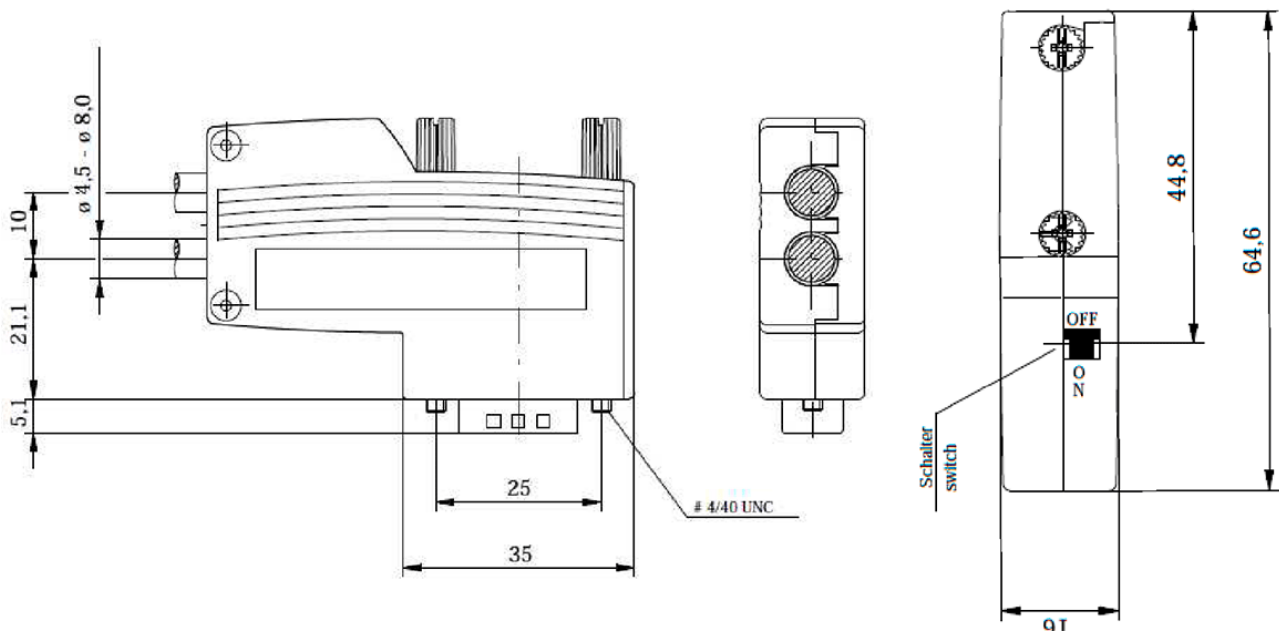
i Product status:

9-pin D-sub connector for CANopen with integrated termination resistor

Product information

Technical data

Technical data	ZS1051-3000
Installation size	D-sub
Connector type	socket
Contact type	female
Number of positions (face)	9-pin
Wire termination	Cage clamp
Max. wire cross-section	AWG20 (0.5 mm ²)
Max. cable outer diameter	4.5...8.0 mm



Ordering information

Ordering information

ZS1051-3000

9-pin D-sub connector for CANopen with integrated termination resistor