

# BExBGL1 L.E.D. Beacon

**The flameproof BExBGL1 L.E.D. beacon is suitable for Zone 1, 2, 21 & 22 applications.**

With an array of 32 high output L.E.D.s the BExBGL1 unit is a multi-functional beacon suitable for all signalling applications. The robust construction makes installation in the harshest of environments possible. Additional features include UV stable prismatic lens, stainless steel guard and mounting bracket as standard. Multi-function: The BExBGL1 features a total of 9 modes of operation: 4 rotating effect modes, 4 flashing modes and a steady mode for use in indicator / status applications. Based on the mode selected the user can also select two alternative L.E.D. modes remotely.

The BEx range features enclosures manufactured from corrosion proof, marine grade copper free LM6 aluminium which is phosphated and powder coated. All models have two M20 cable entries, large termination areas and an ingress protection of IP66/67.

## Features:

- Glass dome with optically enhanced prismatic PC lens
- Stainless Steel guard
- Very large termination area.
- Ratchet adjustable stainless steel 'U' bracket.

## Approvals:

- ATEX certificate: KEMA 00ATEX2006, EN 60079-0 : 2006, EN 60079-1 : 2007, EN 61241-0 : 2006, EN 61241-1 : 2004
- IECEx certificate: IECEx KEM 10.0002, IEC 60079-0 : 2004 (Ed4), IEC 60079-1 : 2007 (Ed6), IEC 61241-0 : 2004 (Ed1), IEC 61241-1 : 2004 (Ed1)
- GOST-R certificate: POCC GB.JB05.B02205
- Safety-integrity suitability: SIL1
- Inmetro certificate: 10-IEEx-0010

## Part codes:

### Part Code:

BExBGL1D\*\*

### Classification:

ATEX/IECEX:  
 II 2G Ex d IIC T4 Ta. -50° to +70°C  
 II 2G Ex d IIC T5 Ta. -50° to +40°C  
 II 2D Ex tD A21 IP67 T120 Ta. +70°C  
 based on max. Ta. 70°C

### GOST-R:

1ExdIICT5 Ta. -50° to +55°C  
 1ExdIICT4 Ta. -50° to +40°C  
 DIP A21 Ta T4

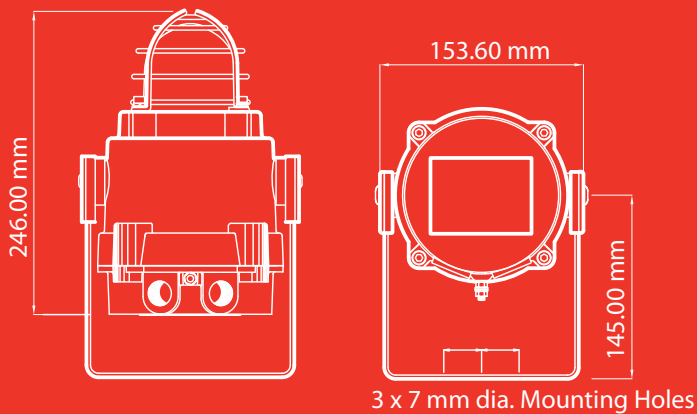
\*\* = Voltage & lens colour reference:

Voltage options: 24DC (10-50V dc),  
115AC, 230AC, 24AC

Lens colour options: -AM (Amber)  
-BL (Blue)  
-GN (Green)  
-RD (Red)  
-YW (Yellow)

e.g: BExBGL1D230AC-AM





### Specification:

Light source:	Array of 32 high output L.E.D.s
Effective Candela:	11 cd*
Lens colours:	Amber, Blue, Green, Red & Yellow
Voltages DC:	10-50V dc
Voltages AC:	24V ac; 115V ac; 230V ac
Ingress protection:	IP66/67
Housing material:	Marine grade copper free LM6 Aluminium
Housing finish:	Phosphated & powder coated finish - anti-corrosion.
Colour:	RAL3000 Red (others available on request)
Cable entries:	Dual M20 ISO (one stopping plug included)
Terminals:	0.5 to 4.0mm <sup>2</sup> cables.
Line monitoring :	Min. 500 Ohm 2w, or 3k3 Ohm 0.5w res. or diode (dc versions).
Weight :	DC:2.45kg AC: 2.75kg

### Current consumption:

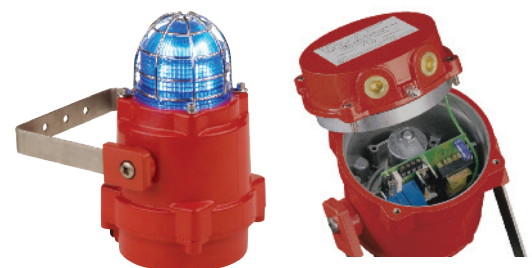
Version:	Voltage range:	Current:
24V dc	10-50V dc	400mA
48V dc	10-50V dc	230mA
24V ac	50Hz/60Hz +/-10%	812mA
115V ac	50Hz/60Hz +/-10%	140mA
230V ac	50Hz/60Hz +/-10%	70mA

### Multi-function patterns:

Mode:	Stage 1: [Selectable on board]	Stage 2: [Remotely selectable]	Stage 3: [Remotely selectable]
1	All L.E.D's on	Alternate Side Flash 1:1 2Hz	Double Strike Flash 2Hz
2	Rotating: Fast 1	Rotating: Fast 2	All L.E.D's on
3	Rotating: Fast 2	Double Strike Flash 2Hz	All L.E.D's on
4	Rotating: Slow 1	Alternate Side Flash 1:1 2Hz	All L.E.D's on
5	Rotating: Slow 2	Double Strike Flash 1Hz	All L.E.D's on
6	Double Strike Flash 1Hz	Alternate Side Flash 1:1 2Hz	All L.E.D's on
7	Single Strike Flash 2Hz	Rotating: Fast 2	All L.E.D's on
8	Double Strike Flash 2Hz	Rotating: Fast 2	All L.E.D's on
9	Alternate Side Flash 1:1 2Hz	Rotating: Fast 2	All L.E.D's on

### Assemblies:

The products from the BEx range are available as multiple unit assemblies with and without junction boxes. See the BExP data sheet for further info.



\*All candela data is representative of performance with red lens at optimum voltage.