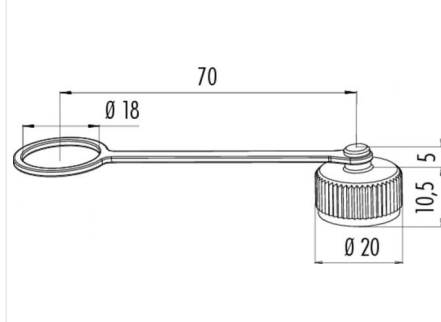


Product **423/723/425: Protection cap for male panel mount connector, IP67**
 Article number **08 2670 000 000**

Illustration



Scale drawing



Matching products

- Male socket, solder, with UL approval
- Male panel mount connector, solder, screwed from the front, with UL approval
- Male panel mount connector, dip-solder, screwed from the front, with UL approval
- Male panel mount connector, crimp
- Male panel mount connector, crimp, screwed from front
- Male panel mount connector with flexible plate, contacts 7, screwed from front, silver plated contacts
- Male panel mount connector with flexible plate, contacts 8 DIN, screwed from front, silver plated contacts
- Male panel mount connector with flexible plate, contacts 12, screwed from front, gold plated contacts, single row
- Male panel mount connector with flexible plate, contacts 12, screwed from front, gold plated contacts, double-row