



SCHUKO[®] socket outlet DP

Functions at a glance

- impact resistant for tough conditions
- With screw-type terminals.
- Impact protection: IK07.
- Rated voltage: 250 V~
- Rated current: 16 A
- Protection class (device): IP 66
- Resistant to aggressive media (e.g. ammonia, benzine, oils, greases, alcohol, cleansing agents, in normal concentrations). Use cable entries 2070/2071.

Order details

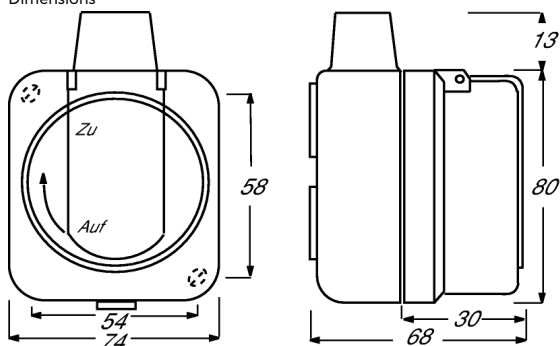
Article No.:	2300 EWDI
Order No.:	2CKA002083A0343
EAN:	4011395228401
Customs tariff number:	85366990
Price group:	12
Price:	77,00 EUR plus VAT

Downloads

Certificates

- » [EU-declaration of conformity](#)
- » [ROHS product declaration](#)

Dimensions



WD/WDI-SCHUKO[®] socket outlet 2300 EWD and 2300 EWDI