

# InteliVision 12Touch



Order code: RD1IV12TBZH

## 12,1" display unit for ComAp controllers

# Datasheet

### Product description

InteliVision 12Touch, industrial operator panel equipped with 12,1" colour, multi-touch screen, is dedicated together with the ComAp controller to visualise and control single gen-set or engine in various applications.

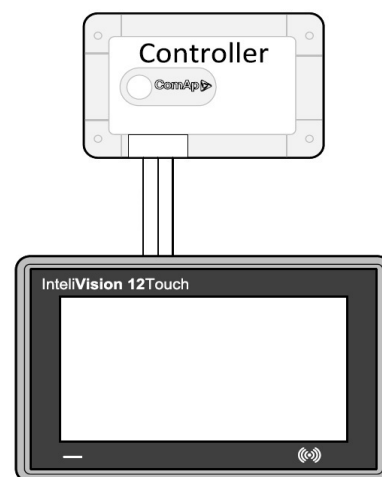
### Key features

- ▶ 12,1" Capacitive Touch Screen with resolution 1280 x 800 px
- ▶ Industrial and robust design
- ▶ Rugged housing manufactured from a single piece of aluminium alloy
- ▶ Temperature range from -30 to +70° C
- ▶ Chemically strengthened front glass (8 times as strong as normal glass)
- ▶ Sun-readable display (1000 cd/m<sup>2</sup>)
- ▶ Automatic brightness control
- ▶ Touch based interface, support for multi-touch gestures
- ▶ Multiple communication capabilities
- ▶ Adjustable setpoints help
- ▶ EMC, climatic and mechanical tests

### Related products

- ▶ InteliSys Gas
- ▶ InteliSys<sup>NTC</sup> BaseBox
- ▶ InteliGen<sup>NTC</sup> BaseBox
- ▶ InteliMains<sup>NTC</sup> BaseBox
- ▶ InteliSys<sup>NTC</sup> Hybrid
- ▶ InteliDrive DCU Marine (from the HW version 2.0)
- ▶ InteliDrive Mobile (from the SW version 2.6.0)

### Application overview



## Technical data

### Power supply

<b>Power supply range</b>	8-36 VDC
<b>Power consumption (typical values)</b>	2 A / 12 V 1 A / 24 V 0.7 / 36 V (Actual consumption depends on LCD backlight intensity and actual CPU consumption.)

### Operating conditions

<b>Operating temperature</b>	-30 to +70° C
<b>Storage temperature</b>	-30 to +80° C
<b>Front panel protection</b>	IP65
<b>Humidity</b>	95% without condensation IEC/EN 60068-2-30

### Interfaces

<b>RS-485</b>	Galvanic Isolation Terminating resistor - DIP switch
<b>CAN</b>	Galvanic Isolation Terminating resistor - DIP switch
<b>Ethernet port</b>	100 Mbit/s
<b>USB port B (Device)</b>	Galvanic Isolation (Dedicated for Firmware Upgrade)
<b>2 x USB port A (Host)</b>	0,5 A max Overcurrent Protection Non-Isolated

### Analog inputs

<b>Resistive input</b>	Non-Isolated 0 - 2400 Ohm Accuracy 5% (Dedicated for external LCD backlight control)
------------------------	--

### Binary outputs

<b>MOSFET</b>	Isolated 0,5 A @ max. power supply voltage Overcurrent Protection (Active when controller's Horn output is activated)
---------------	--

### CPU

<b>CPU performance</b>	nVidia Tegra 3 4 x CPU cores (1.3 GHz) 2 x GPU cores
------------------------	--

### LCD specification

<b>LCD panel</b>	12.1"
<b>Resolution</b>	1280 x 800 px
<b>Pixel Pitch</b>	0.204 x 0.204 mm
<b>Color Depth</b>	16.7M (TrueColor)
<b>Color Pixel Arrangement</b>	RGB vertical stripes
<b>Luminance</b>	1000 cd/m2
<b>Viewing Angle (CR &gt; 10)</b>	-85 to +85° (H/V)
<b>Backlight</b>	LED

### Mechanical

<b>Housing</b>	Aluminium Alloy
<b>Front Glass</b>	Chemically Strengthened Antiglare
<b>Mounting</b>	6 integrated clips
<b>Weight</b>	2400 g
<b>Recommended cut-out</b>	311 x 206 mm (12.24 x 8.11 in)
<b>Minimal / maximal panel thickness</b>	2 - 13 mm (0.08 - 0.51 in)

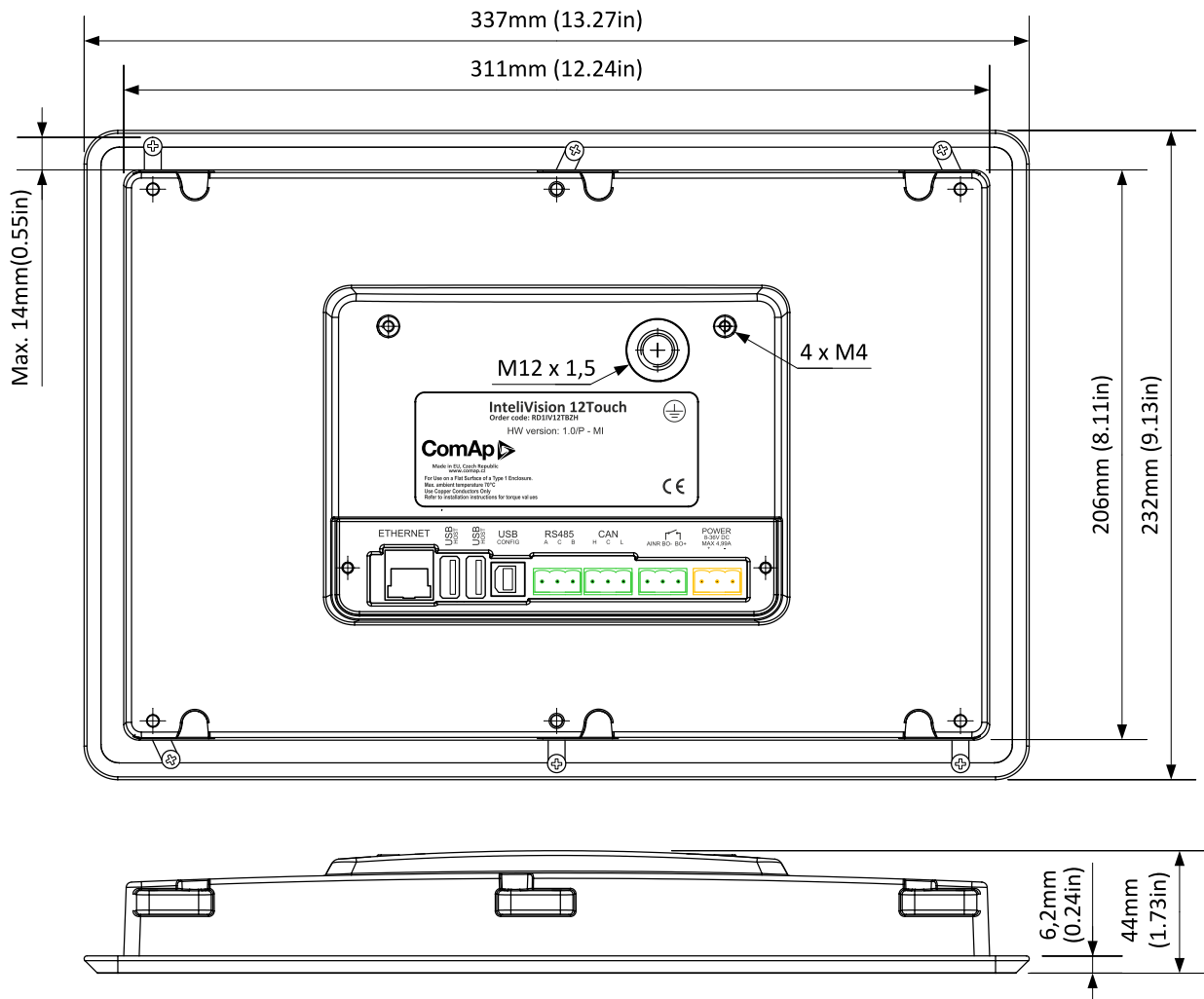
### Operating system

<b>OS</b>	Microsoft Windows CE 7
-----------	------------------------

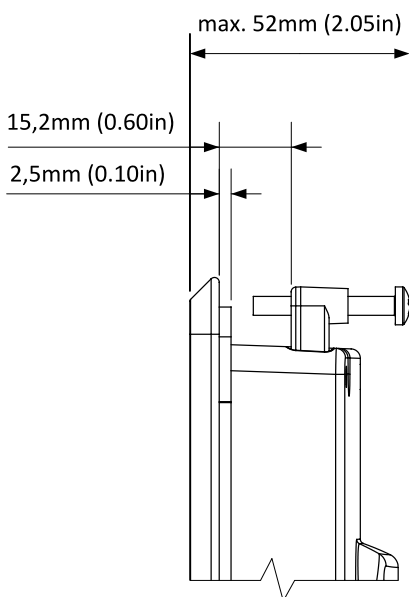
### Other functions

<b>Audio</b>	Internal Buzzer (used for internal Horn feature)
--------------	--

## Dimensions, terminals and mounting



### Panel door mounting





**Note:** IntelVision 12Touch can be mounted into the panel doors. Integrated holders are used for Display unit mounting. The recommended cut-out dimension for the unit is 311 x 206 mm (12.24 x 8.11 in). Approximately 1mm wider than the unit size on each side. The panel thickness range is 2 - 13 mm (0.08 - 0.51 in).

## Related products

Product	Description	Order code
InteliSys Gas	Industrial grade controller for gas gen-set based CHPs and power generation applications	<a href="#">I2GASXXBAB</a>
InteliSys <sup>NTC</sup> BaseBox	Premium parallel gen-set controller	<a href="#">IS-NTC-BB</a>
InteliGen <sup>NTC</sup> BaseBox	Complex parallel gen-set controller	<a href="#">IG-NTC-BB</a>
InteliMains <sup>NTC</sup> BaseBox	Mains Supervision Controller Base Unit	<a href="#">IM-NTC-BB</a>
InteliSys <sup>NTC</sup> Hybrid	Hybrid controller unit	<a href="#">IS-NTC HYBRID</a>
InteliDrive DCU Marine	Drive marine controller unit (from the HW version 2.0)	<a href="#">ID-DCU Marine</a>
InteliDrive Mobile	Drive controller unit (from the SW version 2.6.0)	<a href="#">ID-MOBILE</a>

## Certificates and standards

<b>EMC</b>		  (PROG.CNTRL. 4XC2)
<ul style="list-style-type: none"> <li>▶ EN 61000-4-3 ed.3 - Radiated elmag. field immunity</li> <li>▶ EN 61000-4-2 - Electrostatic discharge</li> <li>▶ EN 61000-4-4 ed.2 - Fast low energy transients/bursts</li> <li>▶ EN 61000-4-5 ed.2 - Slow high energy transient/surges</li> <li>▶ EN 61000-4-6 ed.3 - Conducted high frequency interference</li> <li>▶ EN 61000-6-4, table 1 - Conducted emissions</li> <li>▶ EN 61000-6-4, table 1 - Radiated emission from enclosure</li> </ul>		
<b>Power supply</b>		
<ul style="list-style-type: none"> <li>▶ VW 80101, part 3.14; ISO 16750-2 - Reset behaviour during voltage drop</li> <li>▶ IEC 60533, part 7.2 - External power supply failure</li> <li>▶ IEC 60533, part 7.2 Table 4 - Power supply variation</li> <li>▶ EN 61000-4-29 - Operating Voltage</li> </ul>		
<b>Vibration</b>		
<ul style="list-style-type: none"> <li>▶ EN (IEC) 60068-2-6 test Fc - Sinusoidal vibration</li> <li>▶ IEC 60068-2-27: Shock test</li> </ul>		
<b>Temperature</b>		
<ul style="list-style-type: none"> <li>▶ EN 60068-2-1 ed.2 - Temperature test</li> <li>▶ EN (IEC) 60068-2-2 Bd - Dry heat</li> <li>▶ EN (IEC) 60068-2-1 Ad - Low temperature</li> <li>▶ EN (IEC) 60068-2-30, Db - Cyclic damp heat test</li> </ul>		<ul style="list-style-type: none"> <li>▶ EN (IEC) 60068-2-2 Bd - Long time Dry Heat</li> <li>▶ EN (IEC) 60068-2-1, Ab, Ad - Long time Low Temperature</li> <li>▶ EN 60068-2-5 - Sunshine IEC 60529 - Test of Ingress Protection (IPxx)</li> </ul>
<b>Reliability</b>		
<ul style="list-style-type: none"> <li>▶ IEC 60092-504 - Insulation resistance</li> <li>▶ EN 60695-11-5:05 - Flammability</li> </ul>		
List of standards is available on: <a href="https://webstore.iec.ch/">https://webstore.iec.ch/</a>		

