


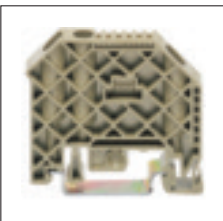










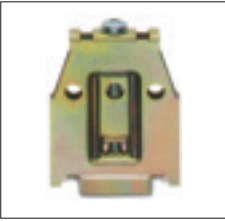
End brackets | End holders

End brackets TS 35	ES 35   TS 35	ES 35/2/K   TS 35	ES 35/K/ST   TS 35	ES 32/35 Combi TS35
Insulating terminal housing: Polyamid 6.6 Rail mount on TS 35				
<b>Dimension (L x W x H)</b> TS 35	46 x 7,5 x 32 mm	50 x 8 x 47 mm	50 x 9,5 x 44 mm	52 x 9,5 x 47 mm
<b>Type</b>	ES 35	ES 35/2/K	ES 35/K/ST	ES 32/35 Combi
<b>Cat. no./Qty. p. pck.</b>	<b>2005.2/50</b>	<b>2826.2/50</b>	<b>2828.0/50</b>	<b>1424.2/50</b>
Terminal width	7,5 mm	8 mm	9,5 mm	9,5 mm

End brackets TS 32	ES 32   TS 32	ES 32/2/K   TS 32	ES 32/2K/ST   TS 32	ES 32/35 Combi TS32/TS35
Insulating terminal housing: Polyamid 6.6 Rail mount on TS 32				
<b>Dimension (L x W x H)</b> TS 32	27 x 7,5 x 44 mm	48 x 8 x 49 mm	50 x 9,5 x 44 mm	52 x 9,5 x 49 mm
<b>Type</b>	ES 32	ES 32/2/K	ES 32/K/ST	ES 32/35 Combi
<b>Cat. no./Qty. p. pck.</b>	<b>2004.2/50</b>	<b>2825.2/50</b>	<b>2827.0/50</b>	<b>1424.2/50</b>
Terminal width	7,5 mm	8 mm	9,5 mm	9,5 mm

End holders for BKA/KBL	EH 1	EH 2	EH 2-Z	EH 3
Insulating terminal housing: Polyamid 6.6 Rail mount on TS 15 / TS 35 / Direct mounting				
<b>Dimension (L x W x H)</b> TS 15 / Direct mounting	<b>Direct mounting</b> For RKB 4 22 x 7 x 21	<b>Direct mounting</b> For BKA 2,5/BKA 4 22 x 5 x 23 mm	<b>Direct mounting</b> For BKA 2,5/BKA 4 22 x 5 x 23	<b>Direct mounting</b> For BKA 10 30 x 8 x 31 mm
<b>Type</b>	EH 1	EH 2	EH 2-Z	EH 3
<b>Cat. no./Qty. p. pck.</b>	<b>2135.2/50</b>	<b>2136.2/50</b>	<b>2147.2/50</b>	<b>2939.2/20</b>
Terminal width	7 mm	5 mm	5 mm	5 mm
Hole diameter	3,5 mm	3,5 mm	-	3,5 mm
Mounting	Direct mounting	Direct mounting	Direct mounting	Direct mounting

**HES 35 ST | TS 35**

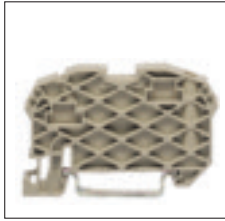


49 x 11 x 69 mm

HES 35/ST  
**2761.0/50**

11 mm

**ZES 35 | TS 35**

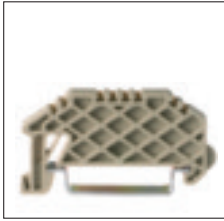


59 x 6 x 39 mm

ZES 35  
**3748.2/50**

6 mm

**ZES 35/2 | TS 35**



49 x 5 x 34 mm

ZES 35/2  
**3811.2/50**

5 mm

**HES 32 ST | TS 32**



49 x 11 x 69 mm

HES 32/ST  
**2760.0/50**

11 mm

**End brackets TS 15**

Insulating terminal housing: Polyamid 6.6  
Rail mount on TS 15

**Dimension (L x W x H)**

TS 15

**Type**

**Type**

**Cat. no./Qty. p. pck.**

Terminal width

**ES 15 | TS 15**



26 x 7,5 x 22 mm

ES 15  
**2074.2/50**

7,5 mm

**ZES 15 | TS 15**



27 x 5 x 24 mm

ZES 15  
**3812.2/50**

5 mm

**EH 4**



**Direct mounting**

For KBL 2,5D/2,5-4D/6-10D

46 x 8 x 36 mm

EH 4  
**2180.2/50**

8 mm

3,5 mm

Direct mounting

**EH 15 BKA | TS 15**



**Direct mounting**

For BKA 2,5/BKA 4

31 x 10 x 28 mm

EH 15 BKA  
**2945.2/50**

9 mm

–

TS 15

**EH 35 | TS 35**



**Direct mounting**

For BKA 10

46 x 8 x 39 mm

EH 35 BKA  
**2946.2/50**

8 mm

–

TS 15