

# BIM

# MEASURAND TRANSDUCER

For Alternating current with  
**Universal-output 0-20mA**  
**4-20mA, 0-10V, 2-10V**

Class 0,5  
 For DIN rail

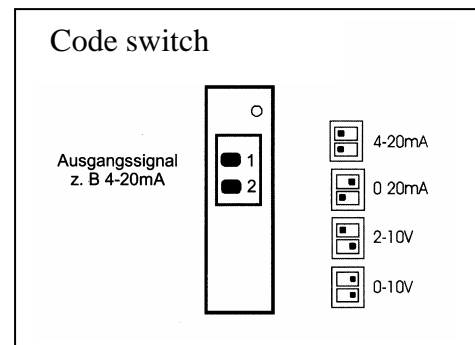


04

The current measurand transducer BIM serves the capture and dc isolation of an alternating current and following transformation in an impressed current or tension signal. The measurand transducer has a three way isolation, i.e. dc isolation between input/output and supply tension. The choice of the output signals (0-10 VDC, 2-10 VDC, 0-20 mA or 4-20 mA) is made about a frontal 2-pole DIP switch. A green LED shows the ready status.

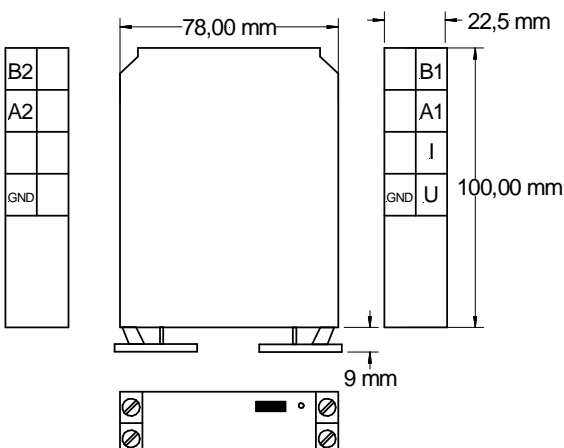
### Technical data

Auxilliary supply:	24V AC/DC (-15/ +10%) oder 230V AC 50-60Hz (-15/ +10%)
Power consumption:	ca. 2 VA
Operation mode:	continuous operation
Isolation voltage:	1kV
Accuracy:	0,5%
<b>Input:</b>	5A AC ( $R_i = 20 \text{ m}\Omega$ ) or optional 1A AC ( $R_i = 100 \text{ m}\Omega$ )
Overload:	50% constant, 200% for 5 s
<b>Output:</b>	0(4)...20mA / DC, resp. 0(2)...10V / DC, response time appr. 700ms
Burden:	Current output < 750 $\Omega$ , Voltage output > 2 k $\Omega$
Harmonic output:	< 100 mV at 38 Hz
Isolation voltage:	3,75 kV/ DC
Ambience temperature:	0 until +60°C
resistance to climatic conditions:	acc. to VDE 0435T.2021
General purpose:	arbitrary
Vibration resistance:	acc. to VDE 0435T.2021
Test voltage:	2,5 kV
Connection:	fine-wire with sleeve 2x 2,5 mm <sup>2</sup>
Electric shock protection:	VDE 0106T.100 resp. VBG4
Mounting:	Fixing on DIN rail (DIN EN50022)
Dimension (L x B x H):	78 mm x 22,5 mm x 110 mm
Weighth:	appr. 150 g (230VAC) appr. 76 g (24VAC/DC)

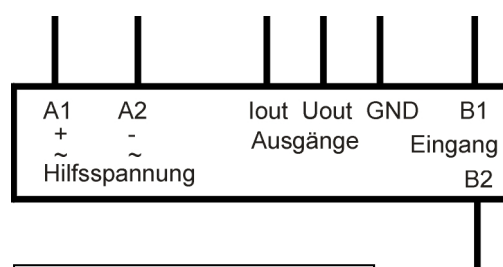


**Order example:** BIM, 5A,  $U_{aux}$ - 24 V AC/DC or  
 BIM, 5A,  $U_{aux}$ - 230VAC (resp. 1A-Input)

### Dimension



### Connection



Hilfsspannung= Auxiliary supply  
 Ausgänge = output  
 Eingang = input