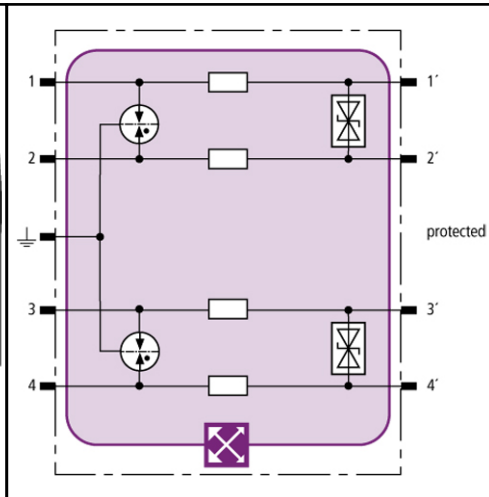
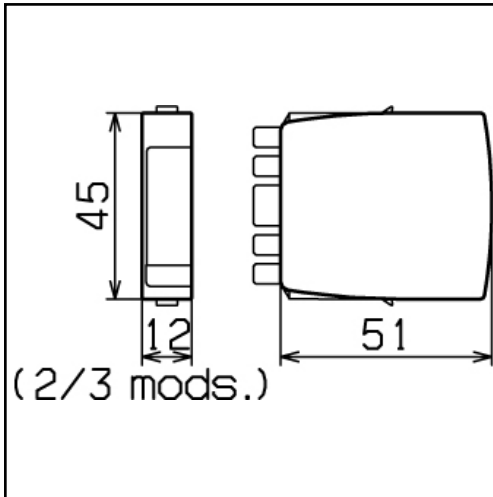


PLUGGABLE SPDs FOR DIN RAIL MOUNTING

BXT ML4 BD HF 24



Dimension drawing BXT ML4 BD HF

If LifeCheck detects thermal and electrical overload, the SPD has to be replaced. This status is indicated contactlessly by the DEHNrecord LC reader.

LifeCheck SPD monitoring function

Minimum signal disturbance

For installation in conformity with the lightning protection zones concept at the boundaries from 0_A – 2 and higher

Space-saving combined lightning current and surge arrester module with LifeCheck feature for protecting 2 pairs in high-frequency bus systems or video transmission systems.

BXT ML4 BD HF 24

SPD class	TYPE 1 P1
SPD monitoring system	LifeCheck
Nominal voltage [U_N]	24 V
Max. continuous operating d.c. voltage [U_{C1}]	33 V
Max. continuous operating a.c. voltage [U_{C1}]	23.3 V
Nominal current at 45°C [I_{L1}]	1.0 A
D1 Total lightning impulse current (10/350 µs) [I_{imp}]	10 kA
D1 Lightning impulse current (10/350 µs) per line [I_{imp}]	2.5 kA
C2 Total nominal discharge current (8/20 µs) [I_{n1}]	20 kA
C2 Nominal discharge current (8/20 µs) per line [I_{n1}]	10 kA
Voltage protection level line-line for I_{imp} D1 [U_p]	≤ 65 V
Voltage protection level line-PG for I_{imp} D1 [U_p]	≤ 550 V
Voltage protection level line-line at 1 kV/µs C3 [U_p]	≤ 47 V
Voltage protection level line-PG at 1 kV/µs C3 [U_p]	≤ 550 V
Series impedance per line	1.0 ohm(s)
Cut-off frequency line-line [f_{C1}]	100.0 MHz
Capacitance line-line [C]	≤ 25 pF
Capacitance line-PG [C]	≤ 16 pF
Operating temperature range	-40°C...+80°C
Degree of protection (plugged-in)	IP 20
Pluggable into	base part
Earthing via	base part
Enclosure material	polyamide PA 6.6
Colour	yellow
Test standards	IEC 61643-21, UL 497B
SIL classification	SIL2 for more details see: www.dehn.de/en/sil/
Ex certifications	ATEX: KEMA 09ATEX0114 X: II 3 G Ex nA II T4 IECEx KEM 09.0053X: Ex nA II T4 Gc
Approvals, Certifications	CSA, VdS, UL, GOST
Ordering information	
Type	BXT ML4 BD HF 24
Part No.	920 375
Packing unit	1 pc

We reserve the right to modify design, technology, dimensions, weights and materials according to technical progress. Illustrations are non-binding. Pictures may differ from the modules described.