

Single Pole Distribution Blocks



- Visual inspection of wire and confirmation of connection
- Halogen-free
- IP 20 finger safe
- 95% fill ratio
- Self extinguishing: UL94 V-0
- Tinned copper blocks: Copper or Aluminum Cable
- Short circuit current rated up to 100 KA - See UL file E198301
- RoHS Compliant

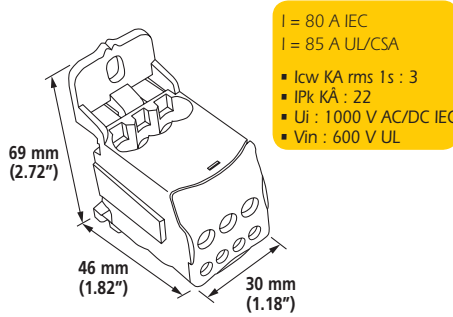
IEC 60947-7-1

UL-1059

UD 80 A 80 A - IEC 85 Amp -

- Modular: keeping only one input, the blocks can be supplied in parallel using a jumper wire. Easily double the neutral.

* CENTER TO CENTER DRILLING: 54 mm (2.12")



METRIC	mm ²		Ø		I(N.m)
	6...16	x1	6.8		3,5
	2,5...6	x4	4.5		1,2
	2,5...16	x2	6.8		3,5

IMPERIAL	AWG		Ø		Torque inch/Lbs.
	16...4	x1	0.27		19.5
	16...8	x4	0.177		10.6
	16...4	x2	0.27		19.5

Part No.	Description		kg/lbs
569010	UD 80 A	1	0,07/0.15

Flexible stranded cable (including terminal up to 50 mm²)

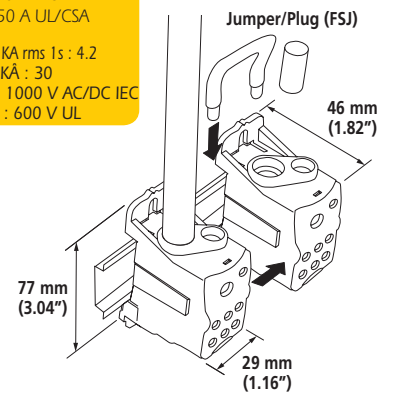
Rigid cable

UDJ 125 A 125 A - IEC 150 Amp -

- Modular: keeping only one input, the blocks can be supplied in parallel using a jumper. Easily double the neutral.

I = 125 A IEC
I = 150 A UL/CSA

- Icw KA rms 1s : 4.2
- IPk KA : 30
- Ui : 1000 V AC/DC IEC
- Vin : 600 V UL



* CENTER TO CENTER DRILLING: 64 mm (2.53")

METRIC	mm ²		Ø		I(N.m)
	10...35	x1	10		8,5
	6...16**	x1	6.8		3,5
	2,5...16	x4 x6	6.8		3,5

** or common jumper

IMPERIAL	AWG		Ø		Torque inch/Lbs.
	8...1/0	x1	0.394		57
	10...4	x1	0.27		31
	10...4	x6	0.27		31

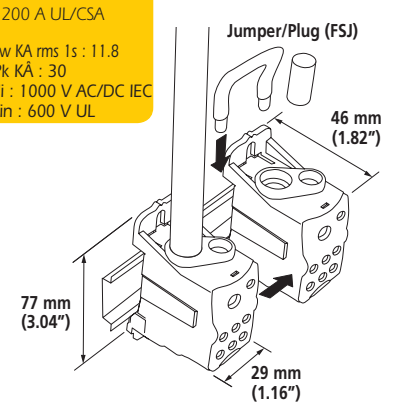
Part No.	Description		kg/lbs
569020	UDJ 125 A	1	0,15/0.33
569150	FSJ*	25	0,03/0.07

UDJ 160 A 160 A - IEC 200 Amp -

- Modular: keeping only one input, the blocks can be supplied in parallel using a jumper. Easily double the neutral.

I = 160 A IEC
I = 200 A UL/CSA

- Icw KA rms 1s : 11.8
- IPk KA : 30
- Ui : 1000 V AC/DC IEC
- Vin : 600 V UL



* CENTER TO CENTER DRILLING: 64 mm (2.53")

METRIC	mm ²		Ø		I(N.m)
	10...70	x1	12.3		8,5
	6...16**	x1	6.8		3,5
	2,5...16	x4 x6	6.8		3,5

** or common jumper

IMPERIAL	AWG		Ø		Torque inch/Lbs.
	8...3/0	x1	0.484		75
	10...4	x1	0.27		31
	10...4	x6	0.27		31

Part No.	Description		kg/lbs
569030	UDJ 160 A	1	0,15/0.32
569150	FSJ*	25	0,03/0.07

* Not UL® Recognized