

EKS-A-SFH-G30-ST150 (ORDER NO. 116118)

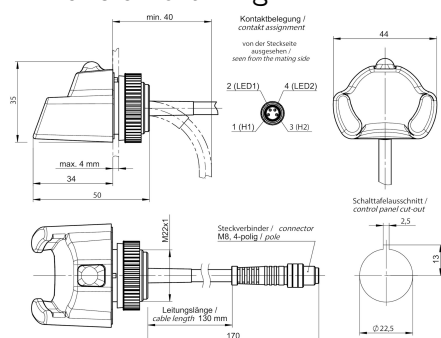
Electronic-Key adapter EKS Front hook modular FHM, with M8 male plug

- ▶ Small design for installations where there is little space
- ▶ Installation in standard assembly hole \varnothing 22.5 mm
- ▶ Closed design, rounded contours for hygienic areas
- ▶ Plastic with high resistance to media
- ▶ IP 69K
- ▶ Cable 0.13 m with M8 male plug



DESCRIPTION

Dimension drawing



TECHNICAL DATA

Approvals



Mechanical values and environment

Housing material

	Housing PVDF GF30 gray
Ambient temperature	-20 ... 70 °C
	-20 ... 100 °C (This is no ambient temperature for operation. It is valid for a time of no more than 3 minutes, e.g. for cleaning purposes)
Degree of protection	IP65,IP67,IP69K in installed state (only access side)
Mounting method	22,5 Assembly hole in mm
Installation orientation	On the front
Connection	Connection cable 150 mm 4 x 0.25 mm ² screened, with plug connector M8, 4-pin
Cable length	max.15 m With extension cable

Electrical connection ratings

LED indicator

	Green Electronic-Key adapter ready
	Yellow Key in operating distance
	Red Fault

ACCESSORIES

Connection material

Connection cable with plug connector M8, 4-pin, 2m



084641
C-M08F04-04X025PV02,0-ES-084641

- ▶ M8 female plug, 4-pin
- ▶ Straight plug connector
- ▶ PVC cable
- ▶ Cable length 2 m
- ▶ With flying lead
- ▶ Knurled nut electrically connected to cable screen

Connection cable with plug connector M8, 4-pin, 5m



084642
C-M08F04-04X025PV05,0-ES-084642

- ▶ M8 female plug, 4-pin
- ▶ Straight plug connector
- ▶ PVC cable
- ▶ Cable length 5 m
- ▶ With flying lead
- ▶ Knurled nut electrically connected to cable screen

Connection cable with plug connector M8, 4-pin, 10m



084643
C-M08F04-04X025PV10,0-ES-084643

- ▶ M8 female plug, 4-pin
- ▶ Straight plug connector
- ▶ PVC cable
- ▶ Cable length 10 m
- ▶ With flying lead
- ▶ Knurled nut electrically connected to cable screen

Connection cable with plug connector M8, 4-pin, 15m



084644
C-M08F04-04X025PV15,0-ES-084644

- ▶ M8 female plug, 4-pin
- ▶ Straight plug connector
- ▶ PVC cable
- ▶ Cable length 15 m
- ▶ With flying lead
- ▶ Knurled nut electrically connected to cable screen

Electronic-Key

Electronic-Key read/write



123097
EKS-A-K1WHWT32-EU

▶ Memory 116 bytes E²PROM
(programmable) plus 8 bytes ROM (serial
number)



123098
EKS-A-K1OGWT32-EU

▶ Memory 116 bytes E²PROM
(programmable) plus 8 bytes ROM (serial
number)



091045
EKS-A-K1BUWT32-EU

▶ Memory 116 bytes E²PROM
(programmable) plus 8 bytes ROM (serial
number)



094839
EKS-A-K1GNWT32-EU

▶ Memory 116 bytes E²PROM
(programmable) plus 8 bytes ROM (serial
number)



094840
EKS-A-K1YEWT32-EU

▶ Memory 116 bytes E²PROM
(programmable) plus 8 bytes ROM (serial
number)



084735
EKS-A-K1BKWT32-EU

▶ Memory 116 bytes E²PROM
(programmable) plus 8 bytes ROM (serial
number)



077859
EKS-A-K1RDWT32-EU

▶ Memory 116 bytes E²PROM
(programmable) plus 8 bytes ROM (serial
number)

Contacts

🏠 EUCHNER GmbH + Co. KG
Kohlhammerstraße 16
70771 Leinfelden-Echterdingen

☎ +49 711 7597-0

📠 +49 711 753316

✉ info(at)euchner.de

