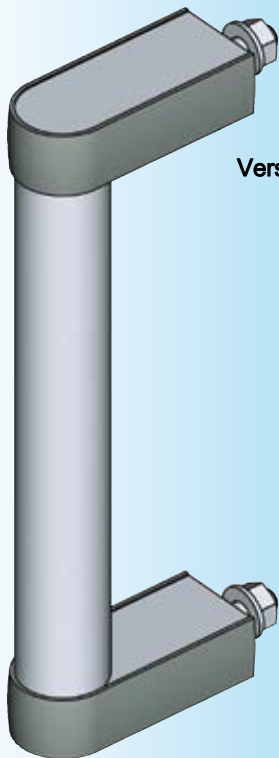
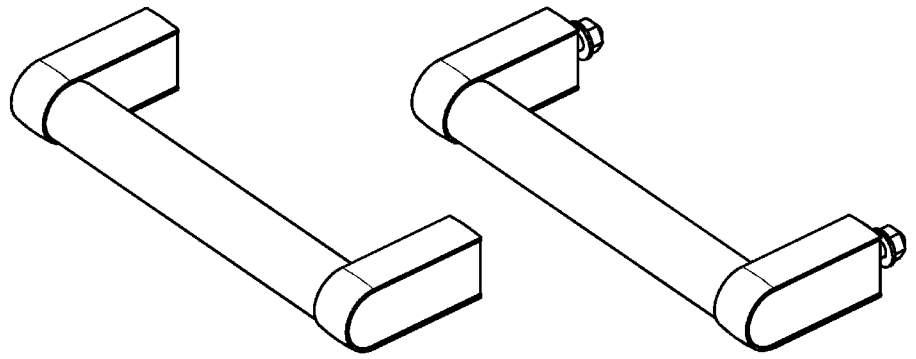


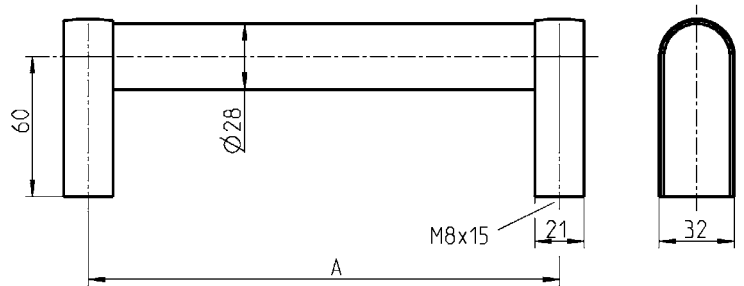
Version 1



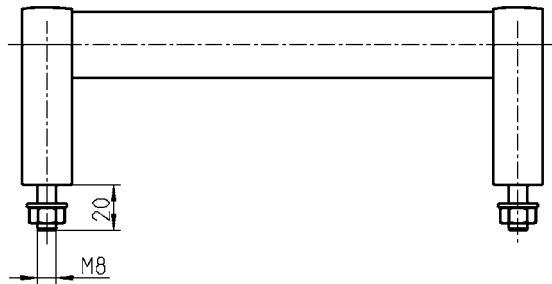
Version 2



* Version 1



Version 2



Tube handle and posts: aluminium anodized or black plastic coated, cover polyamide black, screw and nut m.s. zinc plated

Version 1

A	anodized	black
200	1095-U30-200NA	1095-U30-200AA
250	1095-U30-250NA	1095-U30-250AA
300	1095-U30-300NA	1095-U30-300AA
400	1095-U30-400NA	1095-U30-400AA
500	1095-U30-500NA	1095-U30-500AA
600	1095-U30-600NA	1095-U30-600AA

Version 2

A	anodized	black
200	1095-U31-200NA	1095-U31-200AA
250	1095-U31-250NA	1095-U31-250AA
300	1095-U31-300NA	1095-U31-300AA
400	1095-U31-400NA	1095-U31-400AA
500	1095-U31-500NA	1095-U31-500AA
600	1095-U31-600NA	1095-U31-600AA

* Fastening material is not included in delivery.