

Technical Information

Cerabar PMC51B

Process pressure and level measurement in liquids or gases



Digital pressure transmitter with ceramic process membrane

Applications

- Pressure measuring ranges: up to 40 bar (600 psi)
- Completely vacuum resistant: up to +100 °C (212 °F) process temperature
- Accuracy: up to $\pm 0.055\%$

Advantages

The new Cerabar generation introduces a robust pressure transmitter that combines numerous benefits: Easiest local or remote operation, allows condition-based maintenance and offers smart safety in processes. The firmware is designed to ensure extremely easy handling. Intuitive and clear wizard navigation guides the user through the commissioning and verification of the device. The Bluetooth connectivity provides safe and remote operation. The large display guarantees excellent readability. The device features a ceramic membrane for abrasive, corrosive or vacuum applications with integrated membrane breakage diagnostic.

Table of contents

About this document	4	Vibration resistance	23
Symbols	4	Electromagnetic compatibility (EMC)	23
List of abbreviations	5		
Turn down calculation	5	Process	24
		Process temperature range	24
Function and system design	6	Thermal shock	25
Measuring principle	6	Process pressure range	25
Measuring system	6	Ultrapure gas applications	25
Communication and data processing	7	Steam applications and saturated steam applications	25
Dependability for devices with HART, Bluetooth	7		
		Mechanical construction	26
Input	8	Design, dimensions	26
Measured variable	8	Dimensions	27
Measuring range	8	Weight	36
		Materials in contact with process	37
Output	10	Materials not in contact with process	37
Output signal	10	Accessories	38
Signal on alarm	10		
Load	10	Operability	39
Damping	11	Operating concept (not for devices with 4 to 20 mA analog)	39
Ex connection data	11	Local operation	39
Linearization	11	Local display	40
Protocol-specific data	11	Remote operation	40
Wireless HART data	12	System integration	40
		Supported operating tools	40
Power supply	13		
Terminal assignment	13	Certificates and approvals	41
Available device plugs	13	CE mark	41
Supply voltage	14	RCM-Tick marking	41
Potential equalization	15	Ex approvals	41
Terminals	15	Sanitary compatibility	41
Cable entries	15	EAC conformity	41
Cable specification	15	Drinking water approval	41
Overvoltage protection	15	Overfill protection (in preparation)	41
		Functional safety SIL/ IEC 61508 Declaration of Conformity (optional)	41
Performance characteristics	16	Marine approval (pending)	41
Response time	16	Radio approval	42
Reference operating conditions	16	Test reports	42
Total performance	16	Pressure Equipment Directive 2014/68/EU (PED)	42
Resolution	17	Oxygen application	43
Total error	17	PWIS-free applications	43
Long-term stability	18	China RoHS symbol	43
Response time T63 and T90	18	RoHS	43
Warm-up time (according to IEC62828-4)	18	Additional certification	43
Installation	19	Ordering information	44
Orientation	19	Ordering information	44
Installation instructions	19	Scope of delivery	44
Sensor selection and arrangement	19	Measuring point (tag)	44
Special mounting instructions	20	Test reports, declarations and inspection certificates	44
Environment	22	Accessories	45
Ambient temperature range	22	Device-specific accessories	45
Storage temperature	22	Device Viewer	45
Operating altitude	22		
Climate class	22		
Degree of protection	22		

Supplementary documentation	46
Standard documentation	46
Supplementary device-dependent documentation	46
Field of Activities	46
Special Documentation	46
Registered trademarks	46

About this document

Symbols

Safety symbols



This symbol alerts you to a dangerous situation. Failure to avoid this situation will result in serious or fatal injury.



This symbol alerts you to a dangerous situation. Failure to avoid this situation can result in serious or fatal injury.



This symbol alerts you to a dangerous situation. Failure to avoid this situation can result in minor or medium injury.



This symbol contains information on procedures and other facts which do not result in personal injury.

Electrical symbols

Ground connection: \perp

Terminal for connection to the grounding system.

Symbols for certain types of information

Permitted:

Procedures, processes or actions that are permitted.

Forbidden:

Procedures, processes or actions that are forbidden.

Additional information:

Reference to documentation:

Reference to page:

Series of steps: **1.**, **2.**, **3.**

Result of an individual step:

Symbols in graphics

Item numbers: 1, 2, 3 ...

Series of steps: **1.**, **2.**, **3.**

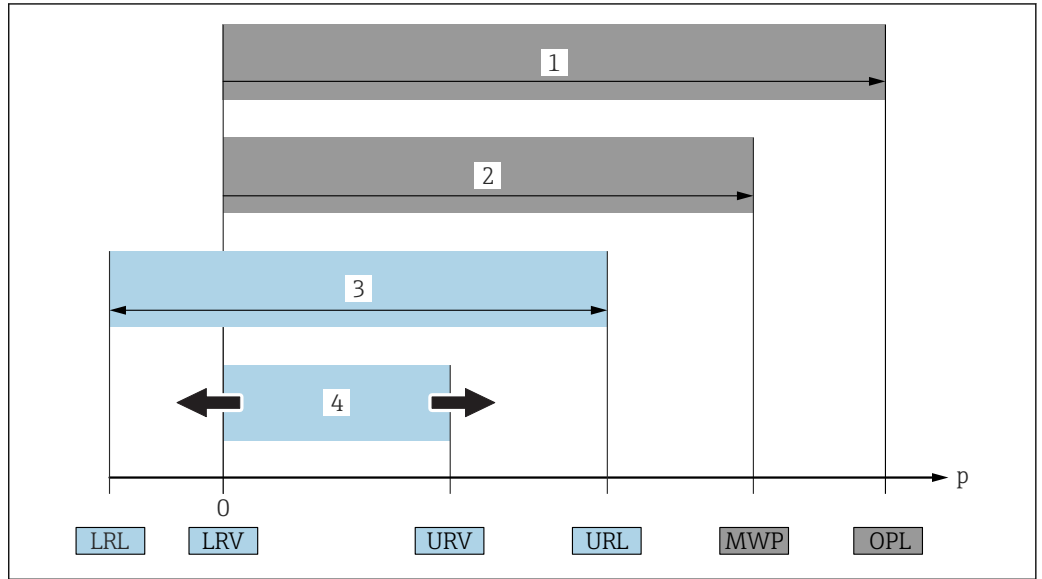
Views: A, B, C, ...

Symbols on the device

Safety instructions: →

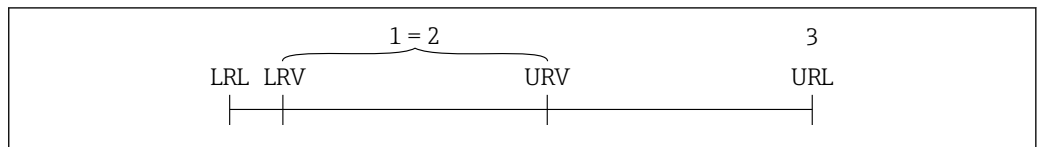
Observe the safety instructions contained in the associated Operating Instructions.

List of abbreviations



- 1 OPL: The OPL (overpressure limit = sensor overload limit) for the device depends on the lowest-rated element, with regard to pressure, of the selected components, i.e. the process connection has to be taken into consideration in addition to the measuring cell. Pay attention to the pressure/temperature dependency.
 - 2 MWP: The MWP (maximum working pressure) for the sensors depends on the lowest-rated element, with regard to pressure, of the selected components, i.e. the process connection has to be taken into consideration in addition to the measuring cell. Pay attention to the pressure/temperature dependency. The MWP may be applied at the device for an unlimited period of time. The MWP can be found on the nameplate.
 - 3 The maximum sensor measuring range corresponds to the span between the LRL and URL. This sensor measuring range is equivalent to the maximum calibratable/adjustable span.
 - 4 The calibrated/adjusted span corresponds to the span between the LRV and URV. Factory setting: 0 to URL. Other calibrated spans can be ordered as customized spans.
- p Pressure
 LRL Lower range limit
 URL Upper range limit
 LRV Lower range value
 URV Upper range value
 TD Turn down. Example - see the following section.

Turn down calculation



- 1 Calibrated/adjusted span
- 2 Zero point-based span
- 3 Upper range limit

Example:

- Sensor: 10 bar (150 psi)
- Upper range limit (URL) = 10 bar (150 psi)
- Calibrated/adjusted span: 0 to 5 bar (0 to 75 psi)
- Lower range value (LRV) = 0 bar (0 psi)
- Upper range value (URV) = 5 bar (75 psi)

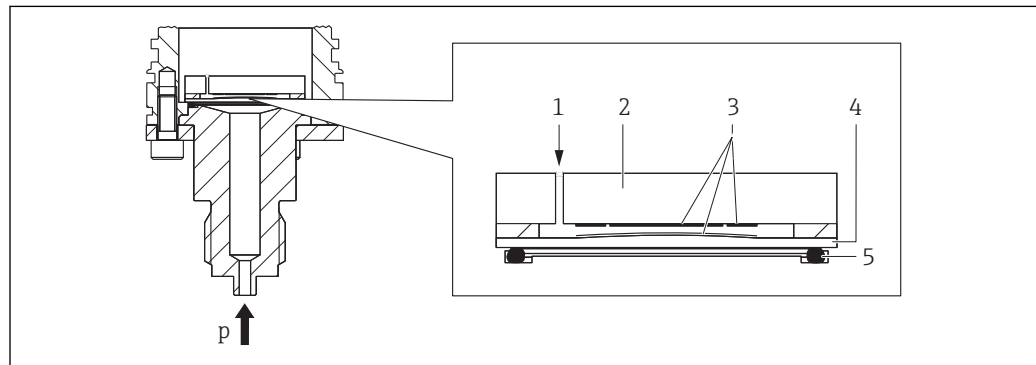
$$TD = \frac{URL}{|URV - LRV|}$$

In this example, the TD is 2:1. This span is based on the zero point.

Function and system design

Measuring principle

Ceramic process membrane (Ceraphire®)



A0043088

- 1 Atmospheric pressure (gauge pressure sensors)
- 2 Ceramic meter body
- 3 Electrodes
- 4 Ceramic process membrane
- 5 Seal
- p Pressure

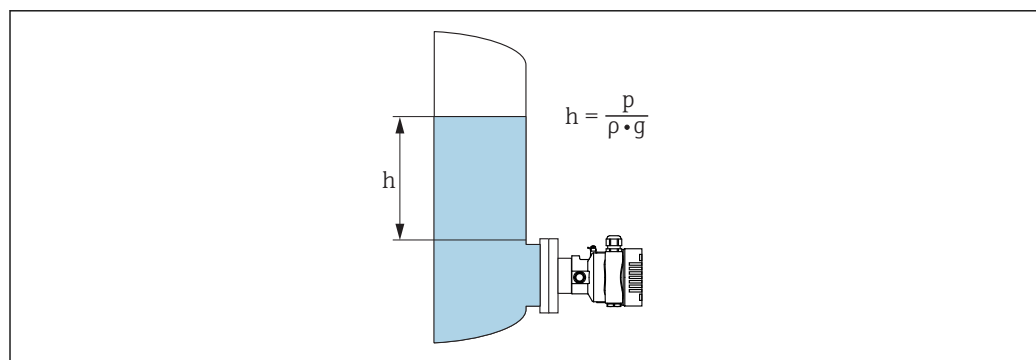
The ceramic measuring cell is an oil-free measuring cell. The pressure acts directly on the robust ceramic process membrane, causing it to deflect. A pressure-dependent change in capacitance is measured at the electrodes of the ceramic meter body and the process membrane. The measuring range is determined by the thickness of the ceramic process membrane.

Advantages:

- High overload resistance
- Thanks to ultrapure 99.9 % ceramic
 - Extremely high chemical durability
 - Resistant to abrasion and corrosion
 - High mechanical durability
- Suitable for vacuum applications

Measuring system

Level measurement (level, volume and mass):



A0038343

- h Height (level)
- p Pressure
- ρ Density of the medium
- g Gravitational acceleration

Advantages:

- Volume and mass measurements in any vessel shape with a freely programmable characteristic curve
- Has a wide range of uses, e.g.
 - For foam formation
 - In vessels with agitators or screen fittings
 - For liquid gases

Communication and data processing

- 4 to 20 mA with HART communication protocol (optional)
- Bluetooth (optional)

Dependability for devices with HART, Bluetooth

IT security

Endress+Hauser can only provide a warranty if the device is installed and used as described in the Operating Instructions. The device is equipped with security mechanisms to protect it against any inadvertent changes to the device settings. IT security measures in line with operators' security standards and designed to provide additional protection for the device and device data transfer must be implemented by the operators themselves.

Device-specific IT security

The device offers specific functions to support protective measures by the operator. These functions can be configured by the user and guarantee greater in-operation safety if used correctly. An overview of the most important functions is provided in the following section:

- Write protection via hardware write protection switch
- Access code to change the user role (applies for operation via Bluetooth, FieldCare, DeviceCare, AMS, PDM)

Input

Measured variable

Measured process variables

- Absolute pressure
- Gauge pressure

Measuring range

Depending on the device configuration, the maximum working pressure (MWP) and the overpressure limit (OPL) can deviate from the values in the tables.

Absolute pressure

Sensor	Maximum sensor measuring range		Smallest calibratable span (preset at factory)
	lower (LRL)	upper (URL)	
	[bar _{abs} (psi _{abs})]	[bar _{abs} (psi _{abs})]	[bar (psi)]
100 mbar (1.5 psi)	0	+0.1 (+1.5)	0.005 (0.075) ¹⁾
250 mbar (3.75 psi)	0	+0.25 (+3.75)	0.005 (0.075) ²⁾
400 mbar (6 psi)	0	+0.4 (+6)	0.005 (0.075) ³⁾
1 bar (15 psi)	0	+1 (+15)	0.01 (0.15) ⁴⁾
2 bar (30 psi)	0	+2 (+30)	0.02 (0.3) ⁴⁾
4 bar (60 psi)	0	+4 (+60)	0.04 (0.6) ⁴⁾
10 bar (150 psi)	0	+10 (+150)	0.1 (1.5) ⁴⁾
40 bar (600 psi)	0	+40 (+600)	0.4 (6) ⁴⁾

- 1) Largest factory-configurable turn down: 20:1
- 2) Largest factory-configurable turn down: 50:1
- 3) Largest factory-configurable turn down: 80:1
- 4) Largest factory-configurable turn down: 100:1

Sensor	MWP	OPL	Vacuum resistance
	[bar _{abs} (psi _{abs})]	[bar _{abs} (psi _{abs})]	[bar _{abs} (psi _{abs})]
100 mbar (1.5 psi)	2.7 (40.5)	4 (60)	0
250 mbar (3.75 psi)	3.3 (49.5)	5 (75)	0
400 mbar (6 psi)	5.3 (79.5)	8 (120)	0
1 bar (15 psi)	6.7 (100.5)	10 (150)	0
2 bar (30 psi)	12 (180)	18 (270)	0
4 bar (60 psi)	16.7 (250.5)	25 (375)	0
10 bar (150 psi)	26.7 (400.5)	40 (600)	0
40 bar (600 psi)	40 (600)	60 (900)	0

Gauge pressure

Sensor	Maximum sensor measuring range		Smallest calibratable span (preset at factory)
	lower (LRL)	upper (URL)	
	[bar (psi)]	[bar (psi)]	[bar (psi)]
100 mbar (1.5 psi)	-0.1 (-1.5)	+0.1 (+1.5)	0.005 (0.075) ¹⁾
250 mbar (3.75 psi)	-0.25 (-3.75)	+0.25 (+3.75)	0.005 (0.075) ²⁾
400 mbar (6 psi)	-0.4 (-6)	+0.4 (+6)	0.005 (0.075) ³⁾
1 bar (15 psi)	-1 (-15)	+1 (+15)	0.01 (0.15) ⁴⁾
2 bar (30 psi)	-1 (-15)	+2 (+30)	0.02 (0.3) ⁴⁾
4 bar (60 psi)	-1 (-15)	+4 (+60)	0.04 (0.6) ⁴⁾
10 bar (150 psi)	-1 (-15)	+10 (+150)	0.1 (1.5) ⁴⁾
40 bar (600 psi)	-1 (-15)	+40 (+600)	0.4 (6) ⁴⁾

- 1) Largest factory-configurable turn down: 20:1
- 2) Largest factory-configurable turn down: 50:1
- 3) Largest factory-configurable turn down: 80:1
- 4) Largest factory-configurable turn down: 100:1

Sensor	MWP	OPL	Vacuum resistance
	[bar (psi)]	[bar (psi)]	[bar _{abs} (psi _{abs})]
100 mbar (1.5 psi)	2.7 (40.5)	4 (60)	0.7 (10.5)
250 mbar (3.75 psi)	3.3 (49.5)	5 (75)	0.5 (7.5)
400 mbar (6 psi)	5.3 (79.5)	8 (120)	0
1 bar (15 psi)	6.7 (100.5)	10 (150)	0
2 bar (30 psi)	12 (180)	18 (270)	0
4 bar (60 psi)	16.7 (250.5)	25 (375)	0
10 bar (150 psi)	26.7 (400.5)	40 (600)	0
40 bar (600 psi)	40 (600)	60 (900)	0

Output

Output signal

Current output

4 to 20 mA analog, 2-wire

4 to 20 mA with superimposed digital communication protocol HART, 2-wire

The current output offers a choice of three different operating modes:

- 4.0 to 20.5 mA
- NAMUR NE 43: 3.8 to 20.5 mA (factory setting)
- US mode: 3.9 to 20.8 mA

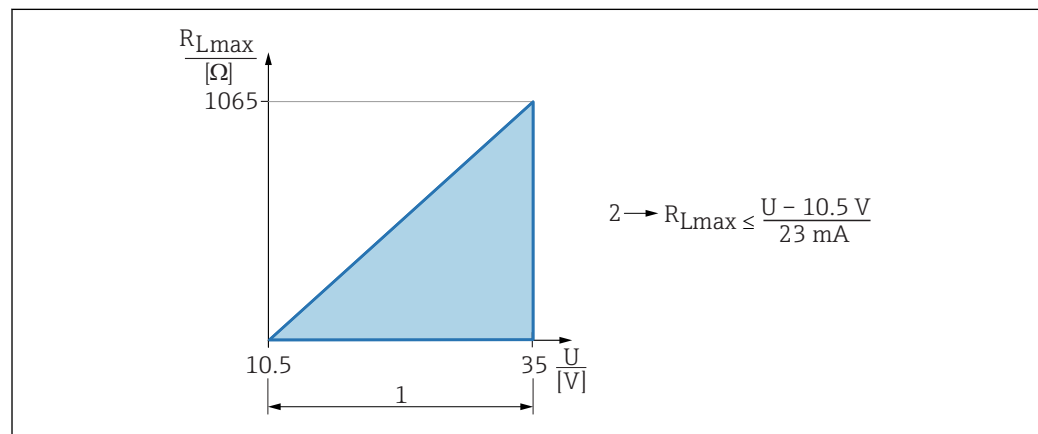
Signal on alarm

Signal on alarm in accordance with NAMUR recommendation NE 43.

- 4 to 20 mA analog:
 - Signal over-range: > 20.5 mA
 - Signal under-range: < 3.8 mA
 - Min alarm (< 3.6 mA, factory setting)
- 4 to 20 mA HART:
 - Options:
 - Max alarm: can be set from 21.5 to 23 mA
 - Min. alarm: < 3.6 mA (factory setting)

Load

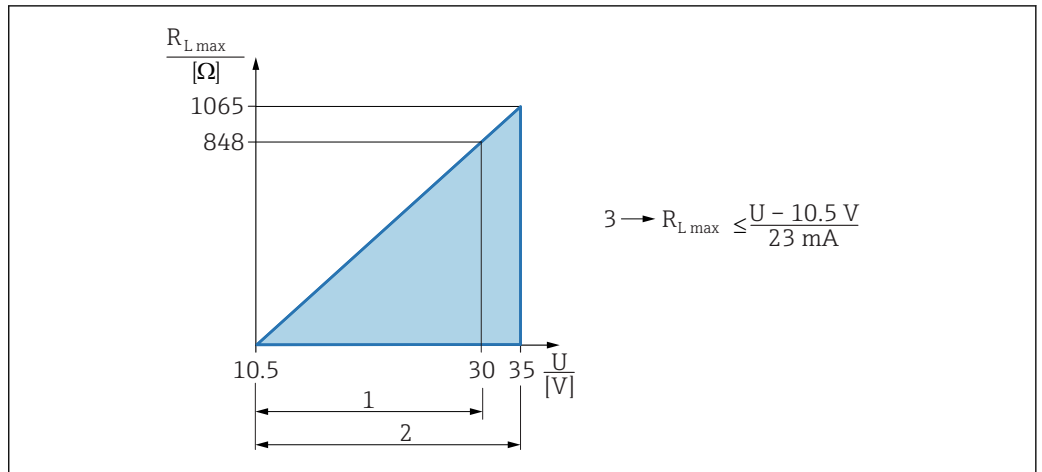
4 to 20 mA analog



- 1 Power supply 10.5 to 35 V
 2 R_{Lmax} maximum load resistance
 U Supply voltage

A0039234

4 to 20 mA HART



- 1 Power supply 10.5 to 30 VDC Ex i
- 2 Power supply 10.5 to 35 VDC, for other types of protection and non-certified device versions
- 3 R_{Lmax} maximum load resistance
- U Supply voltage



Operation via handheld terminal or PC with operating program: take minimum communication resistance of 250 Ω into consideration.

Damping

A damping affects all outputs (output signal, display). Damping can be enabled as follows:

- Via the DIP switch on the electronic insert (analog electronics only)
- Factory setting: 1 s

Ex connection data

See the separate technical documentation (Safety Instructions (XA)) on www.endress.com/download.

Linearization

The device's linearization function allows the user to convert the measured value to any units of height or volume. User-defined linearization tables of up to 32 value pairs can be entered if necessary.

Protocol-specific data

HART

- Manufacturer ID: 17 (0x11{hex})
- Device type ID: 0x112A
- Device revision: 1
- HART specification: 7
- DD revision: 1
- Device description files (DTM, DD) information and files at:
 - www.endress.com
 - www.fieldcommgroup.org
- HART load: min. 250 Ohm

HART device variables (preset at the factory)

The following measured values are assigned to the device variables at the factory:

Device variable	Measured value
Primary variable (PV) ¹⁾	Pressure ²⁾
Secondary variable (SV)	Sensor temperature

Device variable	Measured value
Tertiary variable (TV)	Electronic temperature
Quaternary variable (QV)	Sensor pressure ³⁾

- 1) The PV is always applied to the current output.
- 2) The pressure is the calculated signal after damping and position adjustment.
- 3) The sensor pressure is the raw sensor signal before damping and position adjustment.

Choice of HART device variables

- **Pressure** option (after position correction and damping)
 - Scaled variable
 - Sensor temperature
 - Sensor pressure
 - Sensor Pressure is the raw signal from sensor before damping and position adjustment.
 - Electronics temperature
 - Percent of range
 - Loop current
 - The loop current is the output current set by the applied pressure.

Supported functions

- Burst mode
- Additional transmitter status
- Device locking

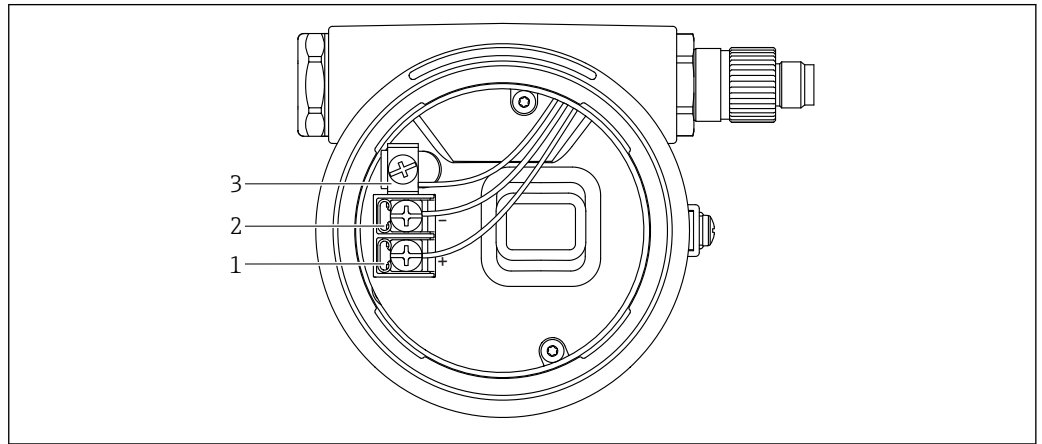
Wireless HART data

- Minimum starting voltage: 10.5 V
- Start-up current: 3.6 mA
- Start-up time: <5 s
- Minimum operating voltage: 10.5 V
- Multidrop current: 4 mA

Power supply

Terminal assignment

Single compartment housing



1 Connection terminals and ground terminal in the connection compartment

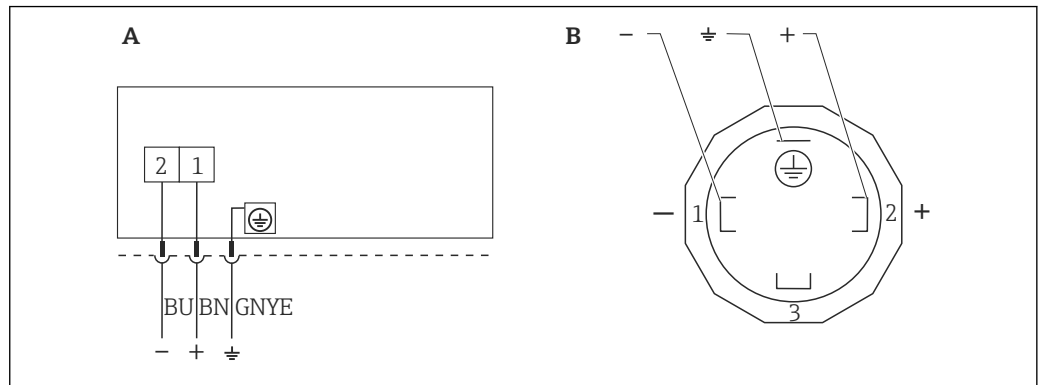
- 1 Positive terminal
- 2 Negative terminal
- 3 Internal ground terminal

Available device plugs

i In the case of devices with a plug, it is not necessary to open the housing for connection purposes.

Use the enclosed seals to prevent the penetration of moisture into the device.

Devices with valve plug



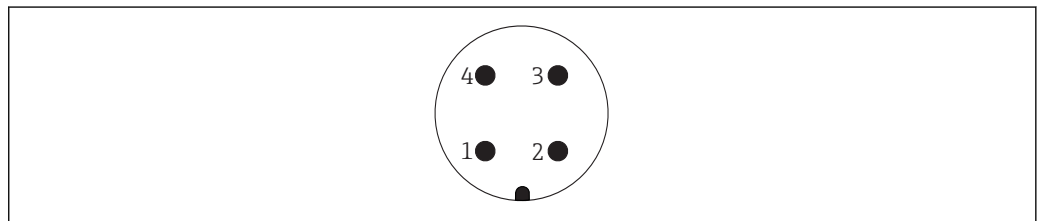
2 BN = brown, BU = blue, GNYE = green/yellow

A Electrical connection for devices with valve connector

B View of the plug-in connection on the device

Material: PA 6.6

Devices with M12 plug



Pin	Analog/HART
1	Signal +
2	Not assigned
3	Signal -
4	Ground

Endress+Hauser offers the following accessories for devices with an M12 plug:

Plug-in jack M 12x1, straight

■ Material:

Body: PBT; union nut: nickel-plated die-cast zinc; seal: NBR

■ Degree of protection (fully locked): IP67

■ Order number: 52006263

Plug-in jack M 12x1, elbowed

■ Material:

Body: PBT; union nut: nickel-plated die-cast zinc; seal: NBR

■ Degree of protection (fully locked): IP67

■ Order number: 71114212

Cable 4x0.34 mm² (20 AWG) with M12 plug-in jack, elbowed, screw plug, length 5 m (16 ft)

■ Material: body: TPU; union nut: nickel-plated die-cast zinc; cable: PVC

■ Degree of protection (fully locked): IP67/68

■ Order number: 52010285

■ Cable colors

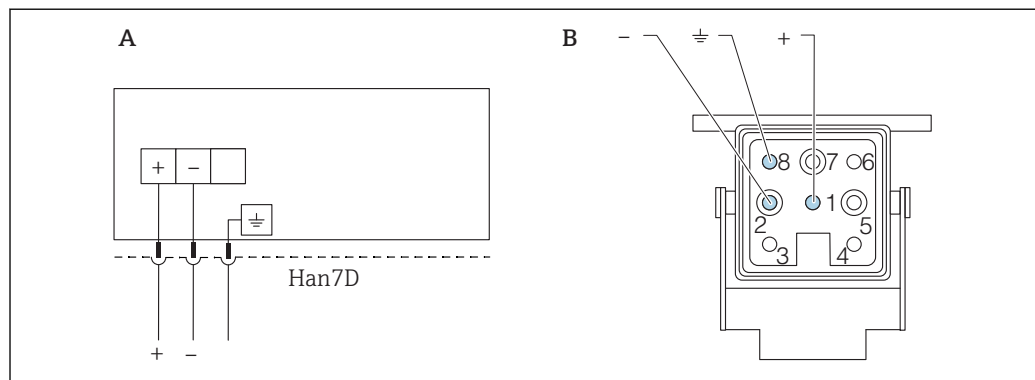
■ 1 = BN = brown

■ 2 = WT = white

■ 3 = BU = blue

■ 4 = BK = black

Devices with a Harting plug Han7D



A0041011

A Electrical connection for devices with Harting plug Han7D

B View of the plug-in connection on the device

- Brown

≡ Green/yellow

+ Blue

Material: CuZn, gold-plated contacts of the plug-in jack and plug

Supply voltage

■ Ex d, Ex e, non Ex: supply voltage: 10.5 to 35 V_{DC}

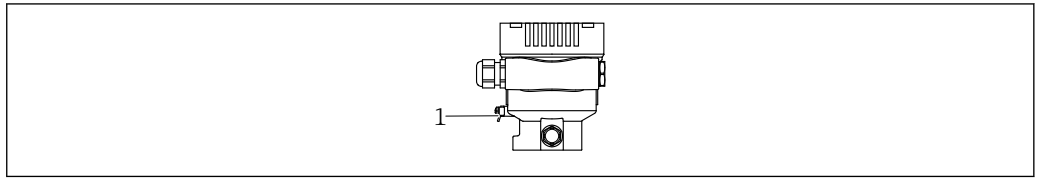
■ Ex i: supply voltage: 10.5 to 30 V_{DC}

■ Nominal current: 4 to 20 mA HART

 The power unit must be tested to ensure it meets safety requirements (e.g. PELV, SELV, Class 2).

A suitable circuit breaker should be provided for the device in accordance with IEC/EN 61010.

Potential equalization



A0045411

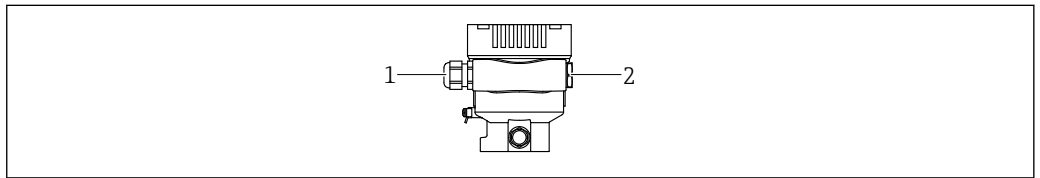
1 Ground terminal for connecting the potential matching line

- i** If necessary, the potential matching line can be connected to the outer ground terminal of the transmitter before the device is connected.
- i** For optimum electromagnetic compatibility:
 - Keep the potential matching line as short as possible
 - Maintain a cross-section of at least 2.5 mm² (14 AWG)

Terminals

- Supply voltage and internal ground terminal: 0.5 to 2.5 mm² (20 to 14 AWG)
- External ground terminal: 0.5 to 4 mm² (20 to 12 AWG)

Cable entries



A0045413

1 Cable entry
2 Dummy plug

The type of cable entry depends on the device version ordered.

- i** Always route connecting cables downwards so that moisture cannot penetrate the connection compartment.
If necessary, create a drip loop or use a weather protection cover.

Cable specification

- The cable outer diameter depends on the cable entry used
- Cable outer diameter
 - Plastic: Ø5 to 10 mm (0.2 to 0.38 in)
 - Nickel-plated brass: Ø7 to 10.5 mm (0.28 to 0.41 in)
 - Stainless steel: Ø7 to 12 mm (0.28 to 0.47 in)

Overvoltage protection

Devices without optional overvoltage protection

Equipment from Endress+Hauser fulfills the requirements of the product standard IEC / DIN EN 61326-1 (Table 2 Industrial Environment).

Depending on the type of port (DC power supply, input/output port) different testing levels according to IEC / DIN EN 61326-1 against transient overvoltages (Surge) are applied (IEC / DIN EN 61000-4-5 Surge):

Test level on DC power ports and input / output ports is 1000 V line to earth

Overvoltage category

Overvoltage category II

Performance characteristics

Response time

- HART: acyclic: min. 330 ms, typically 590 ms (depends on commands and number of preambles)
- HART: cyclic (burst): min. 160 ms, typically 350 ms (depends on commands and number of preambles)

Reference operating conditions

- As per IEC 62828-2
- Ambient temperature T_A = constant, in the range of +22 to +28 °C (+72 to +82 °F)
- Humidity φ = constant, in the range of: 5 to 80 % rF \pm 5 %
- Ambient pressure p_A = constant, in the range of: 860 to 1060 mbar (12.47 to 15.37 psi)
- Position of the measuring cell: horizontal \pm 1°
- Input of LOW SENSOR TRIM and HIGH SENSOR TRIM for lower range value and upper range value
- Supply voltage: 24 V DC \pm 3 V DC
- Load with HART: 250 Ω
- Turn down (TD) = URL/ |URV - LRV|
- Zero based span

Total performance

The performance characteristics refer to the accuracy of the device. The factors that influence the accuracy can be divided into two groups

- Total performance of device
- Installation factors

All of the performance characteristics meet the requirement of $\geq \pm 3$ sigma.

The total performance of the device comprises the reference accuracy and the ambient temperature effect and is calculated using the following formula:

$$\text{Total performance} = \pm \sqrt{(E1)^2 + (E2)^2}$$

E1 = Reference accuracy

E2 = Temperature effect

Calculation of E2:

Temperature effect per ± 28 °C (50 °F)

(Corresponds to a range of -3 to $+53$ °C ($+27$ to $+127$ °F))

$$E2 = E2_M + E2_E$$

$E2_M$ = Main temperature error

$E2_E$ = Electronics error

The values refer to the calibrated span.

Calculation of the total performance with the Endress+Hauser Applicator

Detailed inaccuracies, e.g. for other temperature ranges, can be calculated with the Applicator "[Sizing Pressure Performance](#)".



A0038927

Reference accuracy [E1]

The reference accuracy comprises the non-linearity according to the limit point method, pressure hysteresis and non-repeatability in accordance with [IEC62828-1 / IEC 61298-2]. Reference accuracy for standard up to TD 100:1, for platinum up to TD 10:1.

Gauge pressure sensors

Sensor	Standard	Platinum
100 mbar (1.5 psi)	TD 1:1 to 10:1 = $\pm 0.15\%$ TD > 10:1 = $\pm 0.015\% \cdot TD$	TD 1:1 to 10:1 = $\pm 0.075\%$
250 mbar (3.75 psi)	TD 1:1 to 10:1 = $\pm 0.1\%$ TD > 10:1 = $\pm 0.01\% \cdot TD$	TD 1:1 to 10:1 = $\pm 0.075\%$
400 mbar (6 psi) 1 bar (15 psi) 2 bar (30 psi) 4 bar (60 psi) 10 bar (150 psi) 40 bar (600 psi)	TD 1:1 to 10:1 = $\pm 0.075\%$ TD > 10:1 = $\pm 0.0075\% \cdot TD$	TD 1:1 to 10:1 = $\pm 0.055\%$

Absolute pressure sensors

Sensor	Standard	Platinum
100 mbar (1.5 psi)	TD 1:1 to 10:1 = $\pm 0.15\%$ TD > 10:1 = $\pm 0.015\% \cdot TD$	TD 1:1 to 10:1 = $\pm 0.075\%$
250 mbar (3.75 psi)	TD 1:1 to 10:1 = $\pm 0.1\%$ TD > 10:1 = $\pm 0.01\% \cdot TD$	TD 1:1 to 10:1 = $\pm 0.075\%$
400 mbar (6 psi) 1 bar (15 psi) 2 bar (30 psi) 4 bar (60 psi) 10 bar (150 psi) 40 bar (600 psi)	TD 1:1 to 10:1 = $\pm 0.075\%$ TD > 10:1 = $\pm 0.0075\% \cdot TD$	TD 1:1 to 10:1 = $\pm 0.055\%$

Measuring uncertainty for small absolute pressure measuring ranges

The smallest extended uncertainty of measurement that can be delivered by our standards in the 0.001 to 35 mbar (0.0000145 to 0.5075 psi) range is 0.1 % of the reading + 0.004 mbar (0.000058 psi).

Temperature effect [E2]

E_{2M} - Main temperature error

The output changes due to the effect of the ambient temperature [IEC 62828-1 / IEC 61298-3] with respect to the reference temperature [IEC 62828-1]. The values specify the maximum error due to min./max. ambient or process temperature conditions.

100 mbar (1.5 psi), 250 mbar (3.75 psi) and 400 mbar (6 psi) sensor

- Standard: $\pm(0.277\% \cdot TD + 0.275\%)$
- Platinum: $\pm(0.277\% \cdot TD + 0.275\%)$

1 bar (15 psi), 2 bar (30 psi), 4 bar (60 psi), 10 bar (150 psi) and 40 bar (600 psi) sensor

- Standard: $\pm(0.157\% \cdot TD + 0.235\%)$
- Platinum: $\pm(0.157\% \cdot TD + 0.235\%)$

E_{2E} - Electronics error

- Analog output 4 to 20 mA: 0.2 %
- Digital output HART: 0 %

Resolution	Current output: <1 μ A
Total error	The total error of the device comprises the total performance and the long-term stability effect and is calculated using the following formula: Total error = total performance + long-term stability

Calculation of the total error with the Endress+Hauser Applicator

Detailed inaccuracies, e.g. for other temperature ranges, can be calculated with the Applicator "[Sizing Pressure Performance](#)".



A0038927

Long-term stability

The specifications refer to the upper range limit (URL).

100 mbar (1.5 psi), 250 mbar (3.75 psi), 400 mbar (6 psi) and 1 bar (15 psi) sensor

- 1 year: ± 0.20 %
- 5 years: ± 0.40 %
- 10 years: ± 0.50 %

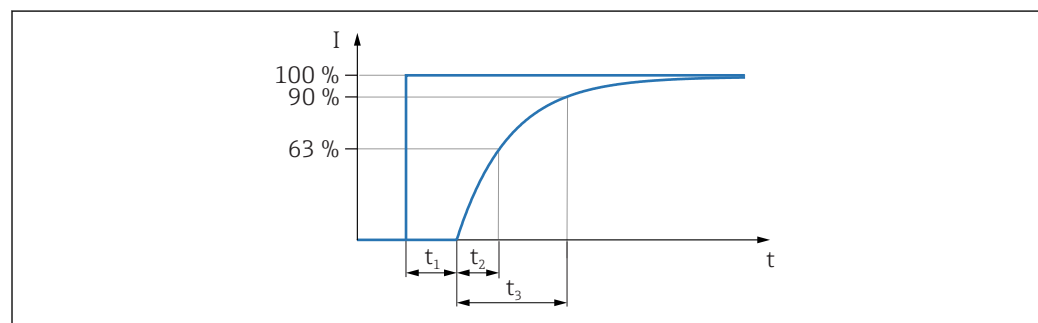
2 bar (30 psi), 4 bar (60 psi), 10 bar (150 psi) and 40 bar (600 psi) sensor

- 1 year: ± 0.10 %
- 5 years: ± 0.25 %
- 10 years: ± 0.40 %

Response time T63 and T90

Dead time, time constant

Representation of dead time and time constant as per IEC62828-1:



A0019786

Dynamic behavior, current output (analog electronics)

- Dead time (t_1): maximum 50 ms
- Time constant T63 (t_2): maximum 40 ms
- Time constant T90 (t_3): maximum 90 ms

Dynamic behavior, current output (HART electronics)

- Dead time (t_1): maximum 50 ms
- Time constant T63 (t_2): maximum 85 ms
- Time constant T90 (t_3): maximum 200 ms

Warm-up time (according to IEC62828-4) ≤ 5 s

Installation

Orientation

- A position-dependent zero point shift (when the vessel is empty the measured value does not display zero) can be corrected
- The use of shutoff devices and/or water pocket pipes is recommended for mounting
- The orientation depends on the measuring application

Installation instructions

- The devices are mounted according to the same guidelines as pressure gauges (DIN EN837-2)
- To ensure optimal readability of the local display, adjust the housing and local display
- Endress+Hauser offers a mounting bracket to mount the device on pipes or walls
- Use flushing rings for flanges if there is a risk of medium buildup or clogging at the process connection
 - The flushing ring is clamped between the process connection and process
 - Material buildup in front of the process membrane is flushed away and the pressure chamber is vented via the two lateral flushing holes
- When measuring in media containing solids (e.g. dirty liquids), installing separators and drain valves is useful for capturing and removing sediment
- Using a valve manifold allows for easy commissioning, installation and maintenance without interrupting the process
- When mounting the device, establishing the electrical connection and during operation: prevent the penetration of moisture into the housing
- Point the cable and plug downwards as much as possible to prevent moisture from entering (e.g. rainwater or condensation)

Sensor selection and arrangement

Mounting the device

Pressure measurement in gases

Mount the device with the shutoff device above the tapping point so that any condensate can flow into the process.

Pressure measurement in vapors

A water pocket pipe reduces the temperature to almost the ambient temperature. The defined water column only causes minimal (negligible) measured errors and minimal (negligible) thermal effects on the device.

Observe the maximum permitted ambient temperature of the transmitter!

- Ideally, mount the device with the O-shaped water pocket pipe below the tapping point
The device may also be mounted above the tapping point
- Fill the water pocket pipe with liquid before commissioning

Pressure measurement in liquids

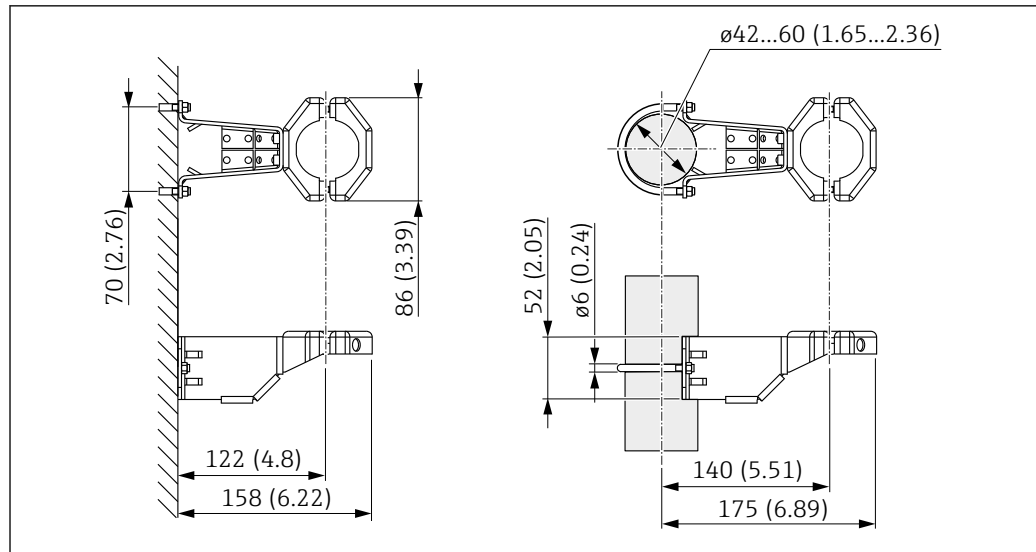
Mount the device with the shutoff device below or at the same level as the tapping point.

Level measurement

- Always mount the device below the lowest measuring point
- Do not install the device at the following positions:
 - In the filling curtain
 - In the tank outlet
 - In the suction area of a pump
 - At a point in the tank which could be affected by pressure pulses from the agitator
- Mount the device downstream from a shutoff device: the calibration and function check can be carried out more easily

Mounting bracket for device or separate housing

The device or the separate housing can be mounted on walls or pipes (for pipes with a diameter of 1 ¼" to 2") using the mounting bracket.



A002B493

Unit of measurement mm (in)

Ordering information:

- Can be ordered via the Product Configurator
- Can be ordered as a separate accessory, part number 71102216

i The mounting bracket is included in the delivery if you order the device with a separate housing.

Special mounting instructions

Wall and pipe mounting with a manifold (optional)

If the device is mounted on a shutoff device (e.g. manifold or shutoff valve), then use the bracket provided for this purpose. This makes it easier to disassemble the device.

For technical data, see the SDO1553P accessory document.

Sensor, remote (separate housing)

The device housing (including the electronic insert) is mounted at a distance from the measuring point.

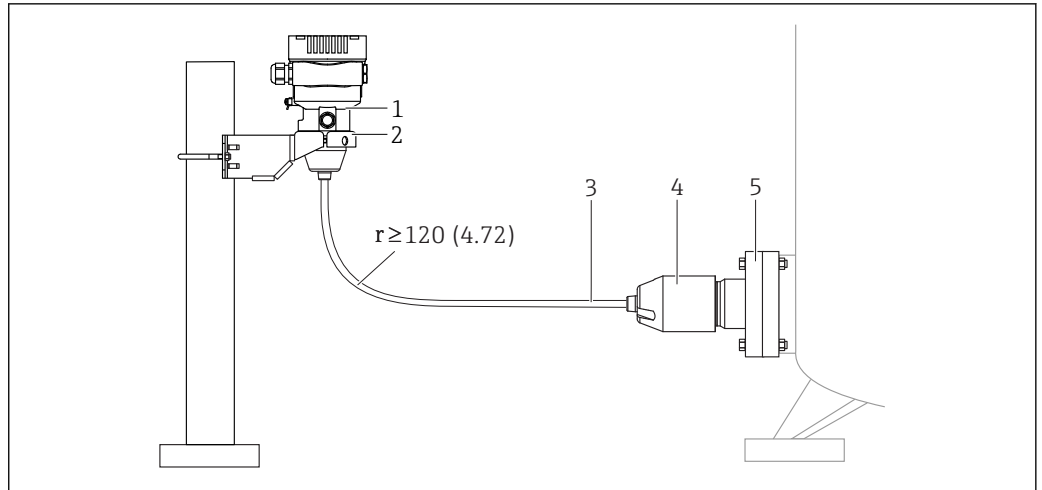
This version therefore facilitates trouble-free measurement:

- Under particularly difficult measuring conditions (at installation locations that are cramped or difficult to access)
- If the measuring point is exposed to vibrations

Cable versions:

- PE: 2 m (6.6 ft), 5 m (16 ft) and 10 m (33 ft)
- FEP: 5 m (16 ft).

The sensor is delivered with the process connection and cable already mounted. The housing (including the electronic insert) and a mounting bracket are enclosed as separate units. The cable is provided with a socket at both ends. These sockets are simply connected to the housing (including the electronic insert) and the sensor.



A0038412

- 1 Sensor, remote (including electronic insert)
- 2 Mounting bracket enclosed, suitable for wall or pipe mounting
- 3 Cable, both ends are fitted with a socket
- 4 Process connection adapter
- 5 Process connection with sensor

Ordering information:

- Remote sensor (including electronic insert) including the mounting bracket can be ordered via the Product Configurator
- The mounting bracket can also be ordered as a separate accessory, part number 71102216

Technical data for cables:

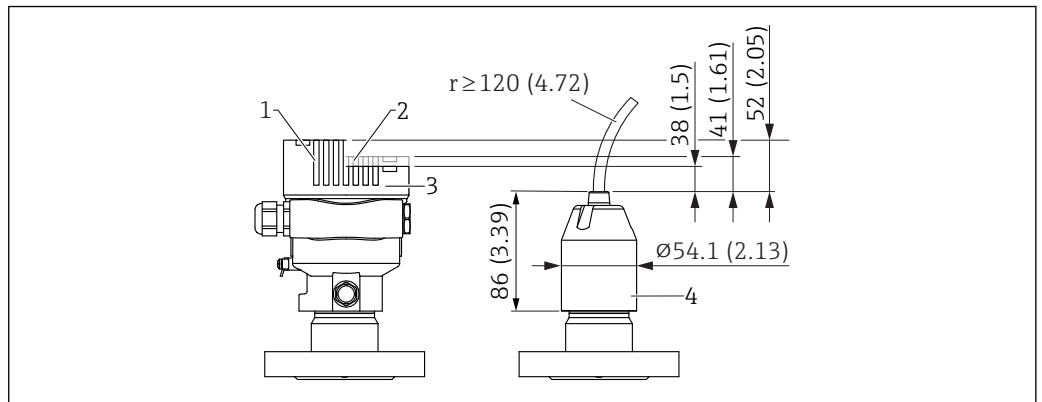
- Minimum bending radius: 120 mm (4.72 in)
- Cable extraction force: max. 450 N (101.16 lbf)
- Resistance to UV light

Use in hazardous area:

- Intrinsically safe installations (Ex ia/IS)
- FM/CSA IS for Div. 1 installation only

Reduction of installation height

If this version is used, the installation height of the process connection is reduced compared to the dimensions of the standard version.



A0047094

- 1 Device with display, cover with glass viewing window (devices for Ex d, dust Ex)
- 2 Device with display, cover with plastic viewing window
- 3 Device without display, cover without viewing window
- 4 Process connection adapter

Environment

Ambient temperature range	<p>The following values apply up to a process temperature of +85 °C (+185 °F). At higher process temperatures, the permitted ambient temperature is reduced.</p> <ul style="list-style-type: none"> ■ Without LCD display: Standard: -40 to +85 °C (-40 to +185 °F) ■ With LCD display: -40 to +85 °C (-40 to +185 °F) with limitations in optical properties, such as display speed and contrast. Can be used without limitations up to -20 to +60 °C (-4 to +140 °F) ■ Separate housing: -20 to +60 °C (-4 to +140 °F)
	<p>Hazardous area</p> <ul style="list-style-type: none"> ■ For devices for use in hazardous areas, see the Safety Instructions, Installation Drawing or Control Drawing ■ Devices that have the most common explosion protection certificates (e.g. ATEX/ IEC Ex, etc.) can be used in explosive atmospheres up to the ambient temperature.
Storage temperature	<ul style="list-style-type: none"> ■ Without LCD display: Standard: -40 to +90 °C (-40 to +194 °F) ■ With LCD display: -40 to +85 °C (-40 to +185 °F) ■ Separate housing: -40 to +60 °C (-40 to +140 °F) <p>With M12 plug, elbowed: -25 to +85 °C (-13 to +185 °F)</p>
Operating altitude	Up to 5 000 m (16 404 ft) above sea level.
Climate class	<p>Class 4K4H (air temperature: -20 to +55 °C (-4 to +131 °F), relative humidity: 4 to 100 %) satisfied as per DIN EN 60721-3-4.</p> <p>Condensation is possible.</p>
Degree of protection	Test as per IEC 60529 and NEMA 250-2014

Housing and process connection

IP66/68, TYPE 4X/6P
(IP68: (1.83 mH₂O for 24 h))

Cable entries

- Gland M20, plastic, IP66/68 TYPE 4X/6P
- Gland M20, brass nickel plated, IP66/68 TYPE 4X/6P
- Gland M20, 316L, IP66/68 TYPE 4X/6P
- Thread M20, IP66/68 TYPE 4X/6P
- Thread G1/2, IP66/68 TYPE 4X/6P
If the G1/2 thread is selected, the device is delivered with an M20 thread as standard and a G1/2 adapter is included with the delivery, along with the corresponding documentation
- Thread NPT1/2, IP66/68 TYPE 4X/6P
- Dummy plug transport protection: IP22, TYPE 2
- Plug HAN7D, 90 deg. IP65 NEMA Type 4X
- Plug M12
When housing is closed and connecting cable is plugged in: IP66/67 NEMA Type 4X
When housing is open or connecting cable is not plugged in: IP20, NEMA Type 1

NOTICE

Plug M12 and plug HAN7D: incorrect mounting can invalidate the IP protection class!

- ▶ The degree of protection only applies if the connecting cable used is plugged in and screwed tight.
- ▶ The degree of protection only applies if the connecting cable used is specified according to IP67 NEMA Type 4X.
- ▶ The IP protection classes are only maintained if the dummy cap is used or the cable is connected.

Process connection and process adapter when using the separate housing

FEP cable

- IP69 (on sensor side)
- IP66 TYPE 4/6P
- IP68 (1.83 mH₂O for 24 h) TYPE 4/6P

PE cable

- IP69 (on sensor side)
- IP66 TYPE 4/6P
- IP68 (1.83 mH₂O for 24 h) TYPE 4/6P

Vibration resistance

Single compartment housing

Mechanical construction	Sine wave oscillation IEC 61298-3:2008	Shock
Device	10 Hz to 60 Hz: ±0.35 mm (0.0138 in) 60 Hz to 1000 Hz: 5 g	30 g
Device with Ex d and XP version ¹⁾	10 Hz to 60 Hz: ±0.15 mm (0.0059 in) 60 Hz to 1000 Hz: 2 g	30 g

1) Not for the high-temperature version with Ex d and XP.

Electromagnetic compatibility (EMC)

- Electromagnetic compatibility as per EN 61326 series and NAMUR recommendation EMC (NE21)
- With regard to the safety function (SIL), the requirements of EN 61326-3-x are satisfied
- Maximum deviation with interference influence: < 0.5% of span with full measuring range (TD 1:1)

For more details refer to the EU Declaration of Conformity.

Process

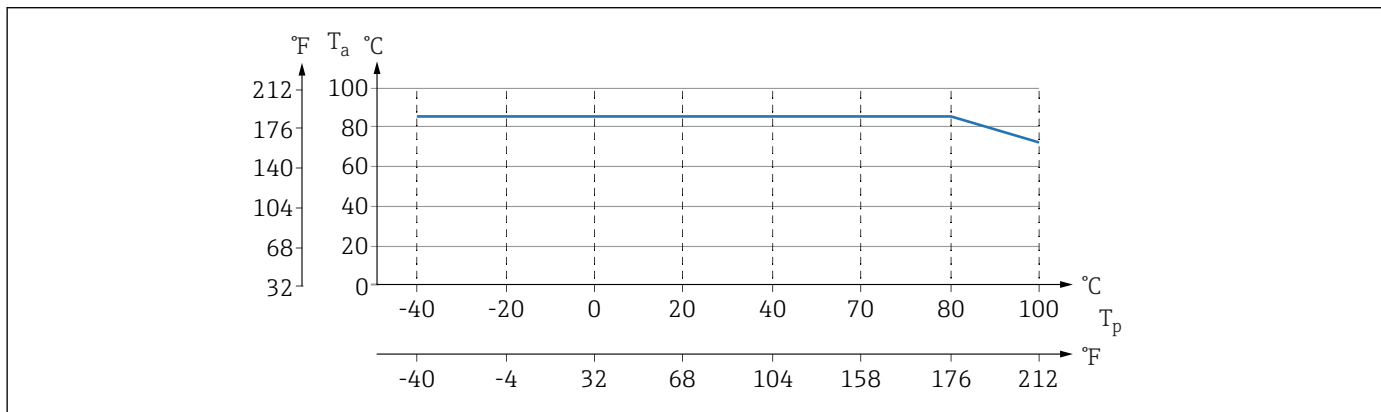
Process temperature range

NOTICE

The permitted process temperature depends on the process connection, process seal, ambient temperature and the type of approval.

- ▶ All the temperature data in this document must be taken into consideration when selecting the device.

-40 to +100 °C (-40 to +212 °F)



A0043294

3 Values apply for vertical mounting without insulation.

T_p Process temperature

T_a Ambient temperature

The process temperature ranges indicated refer to the permanent operation of the device (maximum 5 °C (41 °F) deviation is permitted)

Seals

Pay attention to the process temperature range of the seal. The temperatures indicated depend on the resistance of the seal to the medium.

Seal	Temperature
FKM	-25 to +100 °C (-13 to +212 °F)
FKM Cleaned for oxygen service	-10 to +60 °C (+14 to +140 °F)
FFKM Perlast G75LT	-20 to +100 °C (-4 to +212 °F)
FFKM Kalrez 6375	+5 to +100 °C (+41 to +212 °F)
FFKM Chemraz 505	-10 to +100 °C (+14 to +212 °F)
EPDM	-40 to +100 °C (-40 to +212 °F)
HNBR	-25 to +100 °C (-13 to +212 °F)

Standard device (without diaphragm seal)

Oxygen applications (gaseous)

Oxygen and other gases can react explosively to oils, grease and plastics. The following precautions must be taken:

- All components of the system, such as measuring devices, must be cleaned in accordance with the national requirements.
- Depending on the materials used, a certain maximum temperature and a maximum pressure must not be exceeded with oxygen applications.

The cleaning of the device (not accessories) is offered as an optional service.

Devices with sensors, nominal value < 10 bar (150 psi)

- p_{\max} : over pressure limit (OPL) of the sensor and depending on the process connection used
- Devices with PVDF thread or PVDF flange:
 - Only mount with the enclosed mounting bracket!
 - p_{\max} : 15 bar (225 psi)
- T_{\max} : 60 °C (140 °F)

Devices with sensors, nominal value \geq 10 bar (150 psi)

- p_{\max} : 40 bar (600 psi)
- T_{\max} : 60 °C (140 °F)

Thermal shock

Applications with jumps in temperature

Extreme jumps in temperature can result in temporary measuring errors. Temperature compensation takes place after a few minutes. Internal temperature compensation is faster the smaller the jump in temperature and the longer the time interval involved.



For more information: contact the Endress+Hauser sales office.

Process pressure range

Pressure specifications



The maximum pressure for the device depends on the lowest-rated component with regard to pressure (components are: process connection, optional mounted parts or accessories).

- ▶ Only operate the device within the specified limits for the components!
- ▶ MWP (maximum working pressure): The MWP is specified on the nameplate. This value is based on a reference temperature of +20 °C (+68 °F) and may be applied to the device for an unlimited period of time. Note temperature dependence of MWP. For flanges, refer to the following standards for the permitted pressure values at higher temperatures: EN 1092-1 (with regard to their stability/temperature property, the materials 1.4435 and 1.4404 are grouped together under EN 1092-1; the chemical composition of the two materials can be identical.), ASME B 16.5a, JIS B 2220 (the latest version of the standard applies in each case). MWP data that deviate from this are provided in the relevant sections of the Technical Information.
- ▶ The overpressure limit corresponds to the overpressure limit OPL of the entire device. This value refers to a reference temperature of +20 °C (+68 °F).
- ▶ The Pressure Equipment Directive (2014/68/EU) uses the abbreviation "PS". The abbreviation "PS" corresponds to the MWP (maximum working pressure) of the device.
- ▶ In the case of sensor range and process connection combinations where the overpressure limit (OPL) of the process connection is smaller than the nominal value of the sensor, the device is set at the factory, at the very maximum, to the OPL value of the process connection. If the entire sensor range must be used, select a process connection with a higher OPL value (1.5 x PN; MWP = PN).
- ▶ Oxygen applications: do not exceed values for P_{\max} and T_{\max} .


Ultrapure gas applications

Endress+Hauser also offers devices for special applications, such as for ultrapure gas, that are cleaned of oil and grease. No special restrictions regarding the process conditions apply to these devices.

Steam applications and saturated steam applications

For steam and saturated steam applications: Use a device with a metal process membrane or provide a water pocket pipe for temperature decoupling when installing.

Mechanical construction

 For the dimensions, see the Product Configurator: www.endress.com

Search for product → Start configuration → after configuration, click "CAD"

The following dimensions are rounded values. For this reason, the dimensions may deviate from the values on www.endress.com.

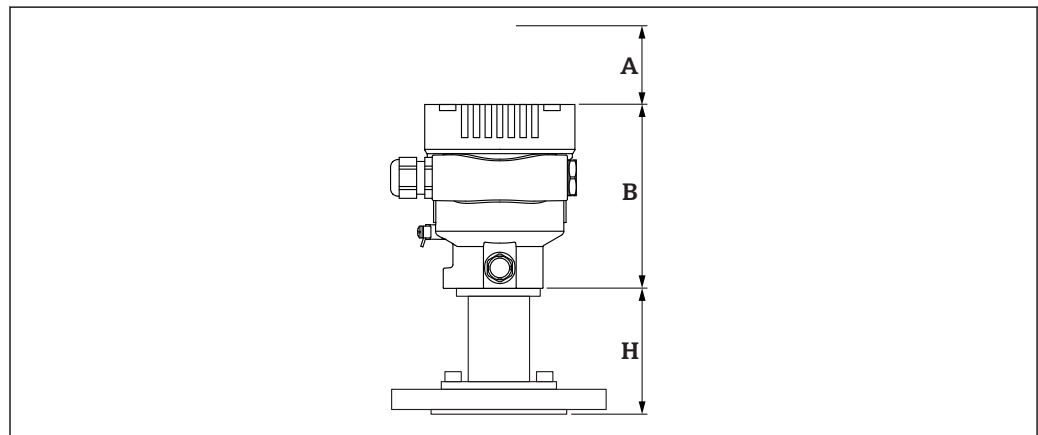
Design, dimensions

Device height

The device height is calculated from

- the height of the housing
- the height of the individual process connection

The individual heights of the components can be found in the following sections. To calculate the device height, add the individual heights of the components. Take the installation clearance into consideration (space that is used to install the device).

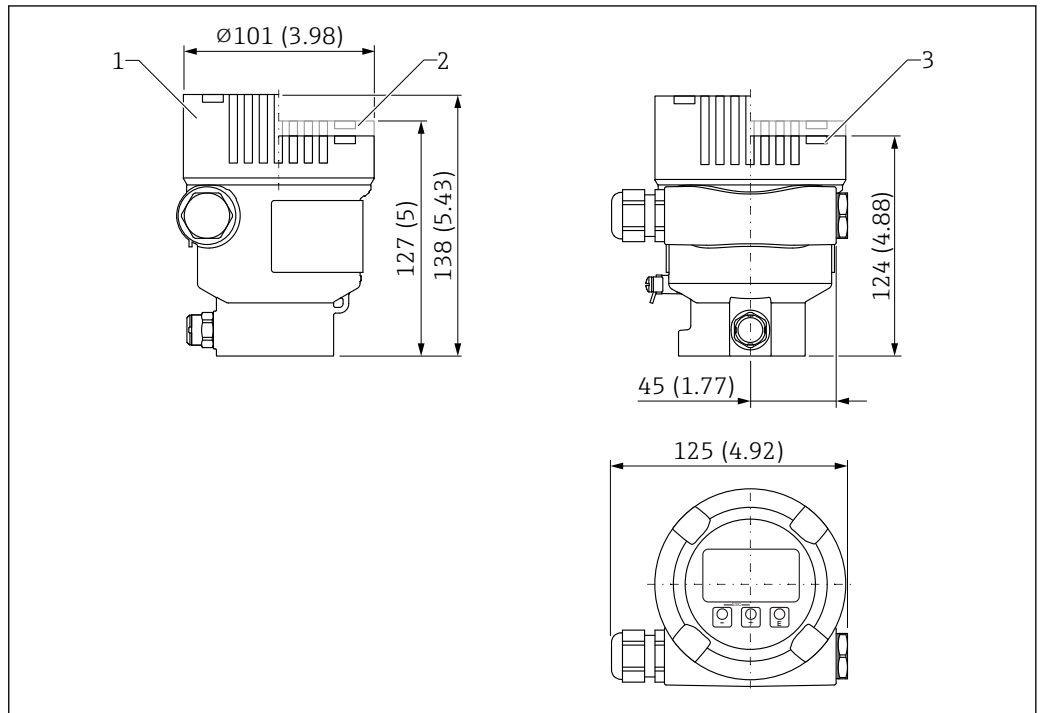


A0043569

- A* Installation clearance
B Height of the housing
H Height of the process connection

Dimensions

Single compartment housing



A0038380

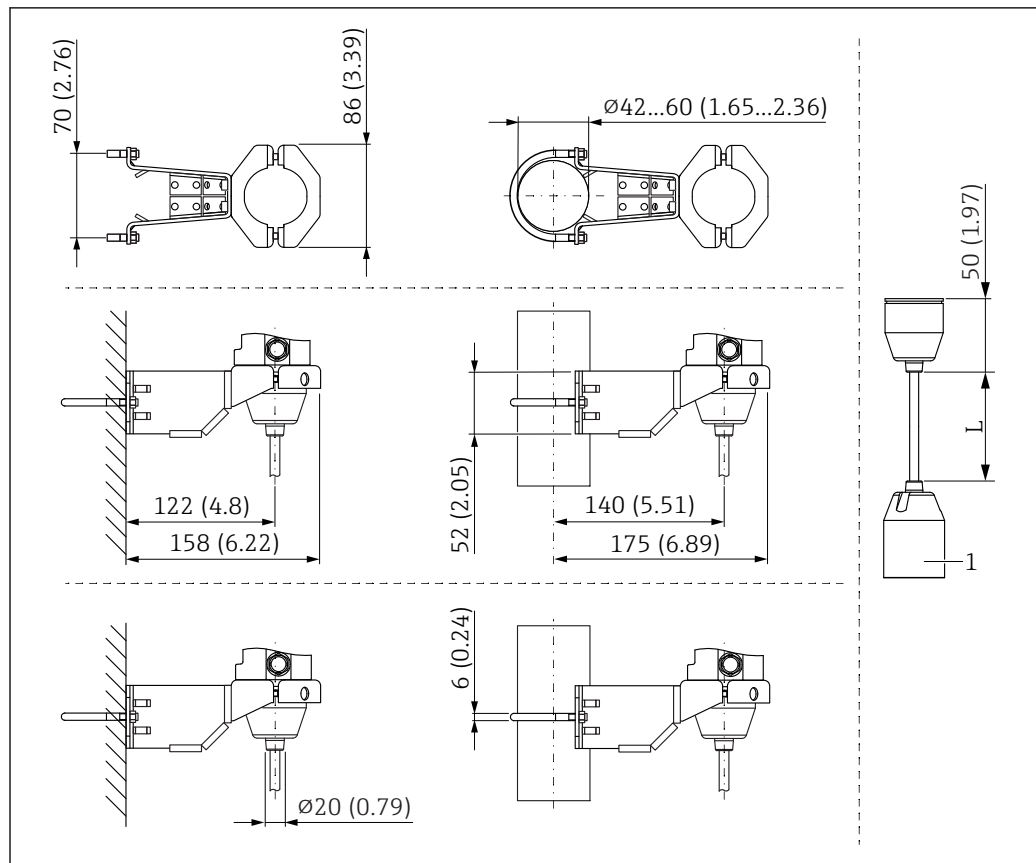
Unit of measurement mm (in)

- 1 Device with display, cover with glass viewing window (devices for Ex d, dust Ex): 138 mm (5.43 in)
- 2 Device with display, cover with plastic viewing window: 127 mm (5 in)
- 3 Device without display, cover without viewing window: 124 mm (4.88 in)



Cover optionally with ANSI Safety Red (color RAL3002) coating.

Sensor, remote (separate housing)



A0038214

Unit of measurement mm (in)

1 86 mm (3.39 in)

L Length of cable versions

OPL and MWP

The maximum overpressure limit (OPL) and the maximum working pressure (MWP) of the sensor can deviate from the maximum OPL and MWP of the process connection.

For the maximum OPL and MWP, see the technical documentation of the process connection.

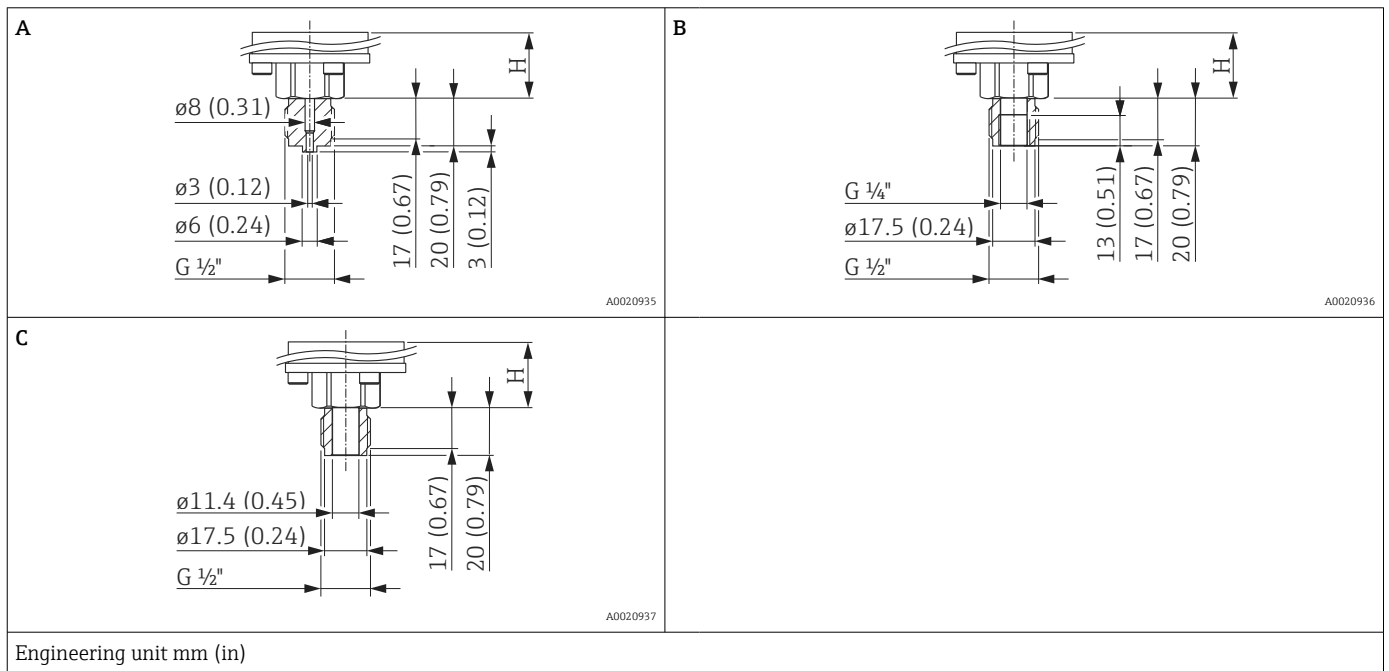
Explanation of terms

- DN or NPS or A = alphanumeric designation of the flange size
- PN or Class or K = alphanumeric pressure rating of a component

Height H

Process connection	Height H	
	Standard	Ex d version
FNPT1/2 MNPT1/2 MNPT1/2 FNPT1/4 G1/2 M20x1.5 B0202 B0203	28 mm (1.1 in)	94 mm (3.7 in)
MNPT1-1/2 MNPT2 G1-1/2 G2 M44x1.25	59 mm (2.32 in)	125 mm (4.92 in)
Flanges	83 mm (3.27 in)	150 mm (5.91 in)

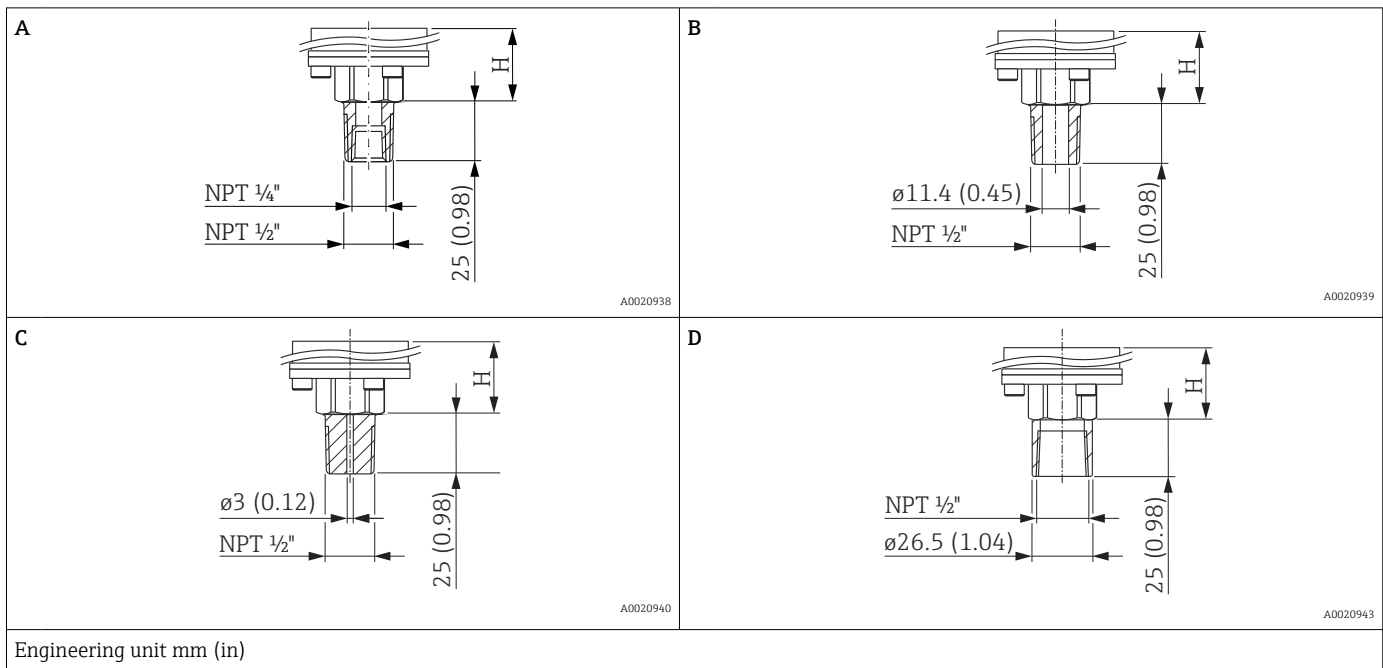
Thread ISO228 G, internal process membrane



Item	Designation	Material	Weight ¹⁾
			kg (lb)
A	Thread ISO228 G 1/2" A EN837	AISI 316L	0.60 (1.32)
		Alloy C276 (2.4819)	
		PVDF	
		<ul style="list-style-type: none"> ▪ Only mount with a mounting bracket (included) ▪ MWP 10 bar (150 psi), OPL max. 15 bar (225 psi) ▪ Process temperature range: -10 to +60 °C (+14 to +140 °F) 	
B	Thread ISO228 G 1/2" A, G 1/4" (female)	AISI 316L	
		Alloy C276 (2.4819)	
C	Thread ISO228 G 1/2" A, Bore 11.4 mm (0.45 in)	AISI 316L	
		Alloy C276 (2.4819)	

1) Total weight consisting of sensor assembly and process connection.

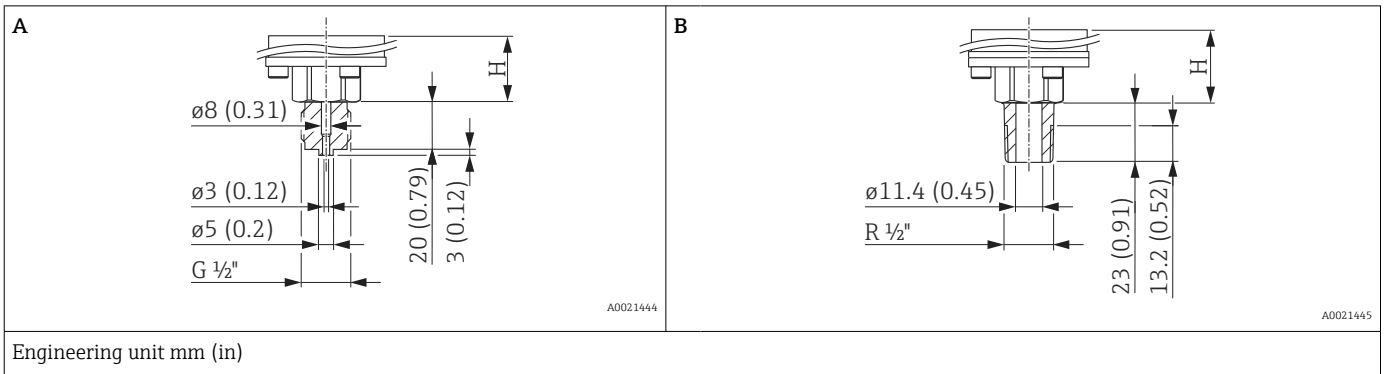
Thread ASME, NPT, internal process membrane



Item	Designation	Material	Weight ¹⁾
			kg (lb)
A ²⁾	Thread ASME MNPT 1/2", FNPT 1/4"	AISI 316L	0.60 (1.32)
		Alloy C276 (2.4819)	
B	Thread ASME MNPT 1/2", Bore 11.4 mm (0.45 in)	AISI 316L	
		Alloy C276 (2.4819)	
C	Thread ASME MNPT 1/2", Bore 3 mm (0.12 in)	PVDF <ul style="list-style-type: none"> ▪ Only mount with a mounting bracket (included) ▪ MWP 10 bar (150 psi), OPL max. 15 bar (225 psi) ▪ Process temperature range: -10 to +60 °C (+14 to +140 °F) 	
D	Thread ASME FNPT 1/2"	AISI 316L	
		Alloy C276 (2.4819)	

1) Total weight consisting of sensor assembly and process connection.
 2) URL max. 100 bar (1 500 psi)

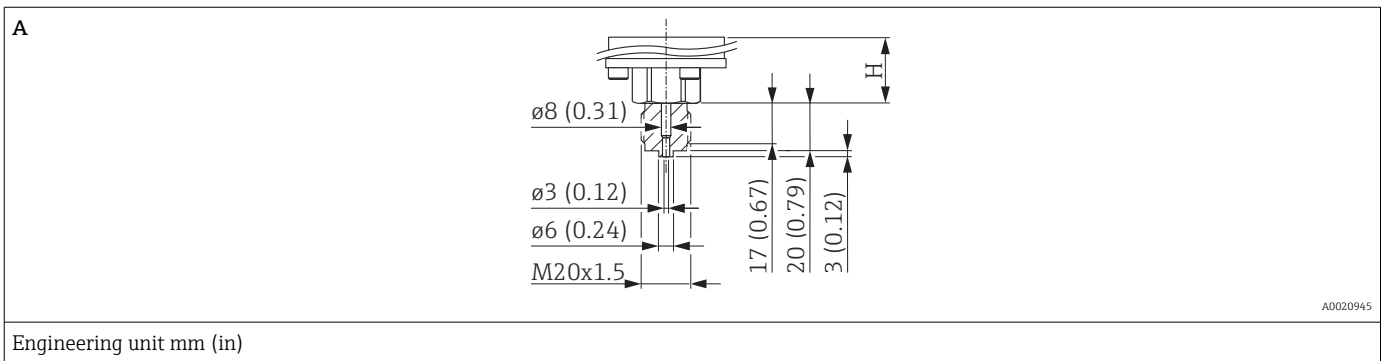
Thread JIS, internal process membrane



Item	Designation	Material	Weight ¹⁾
			kg (lb)
A	JIS B0202 G 1/2" (male)	AISI 316L	0.60 (1.32)
B	JIS B0203 R 1/2" (male)		

1) Total weight consisting of sensor assembly and process connection.

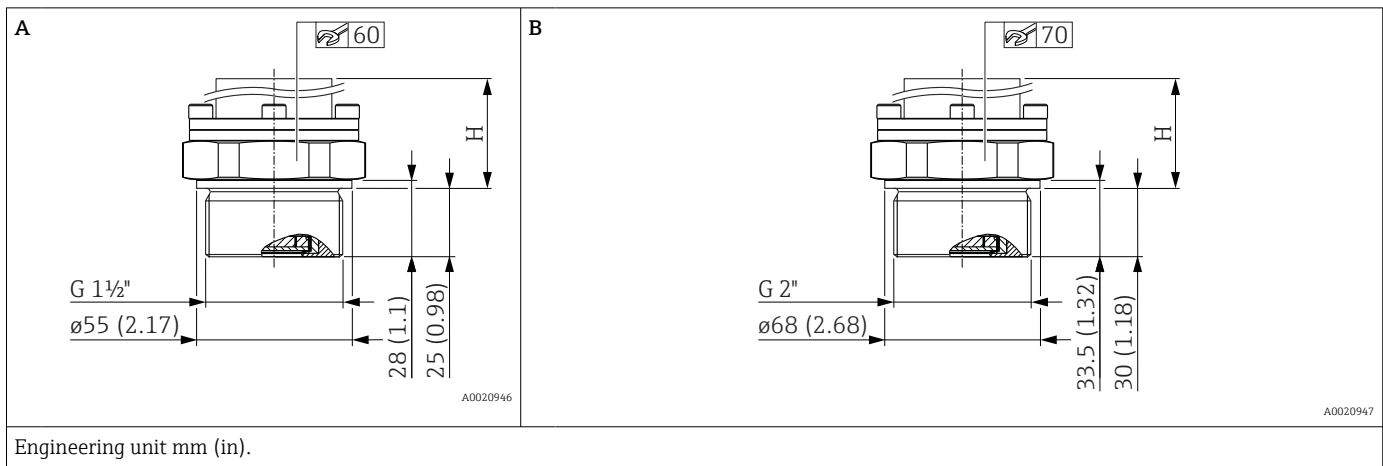
Thread, metric (DIN 13), internal process membrane



Item	Designation	Material	Weight ¹⁾
			kg (lb)
A	DIN 13 M20 x 1.5, EN837 3 mm (0.12 in)	AISI 316L	0.60 (1.32)
		Alloy C276 (2.4819)	

1) Total weight consisting of sensor assembly and process connection.

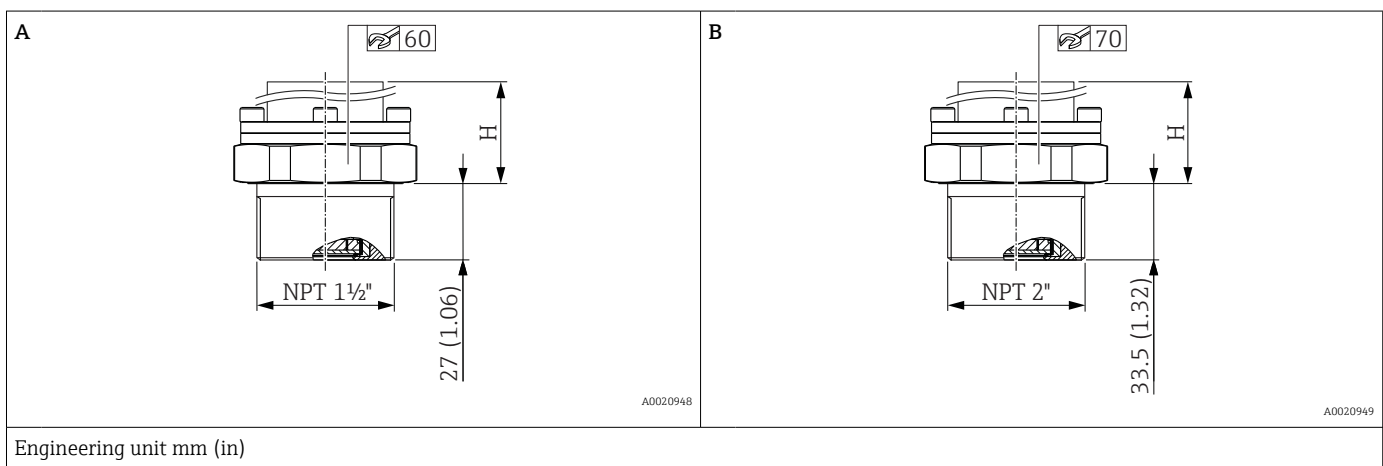
Thread ISO228 G, flush membrane



Item	Designation	Material	Weight ¹⁾
			kg (lb)
A	Thread ISO228 G 1 1/2" A	AISI 316L	0.8 (1.76)
		Alloy C276 (2.4819)	0.9 (1.98)
B	Thread ISO228 G 2" A	AISI 316L	1.2 (2.65)
		Alloy C276 (2.4819)	1.2 (2.65)

1) Total weight consisting of sensor assembly and process connection.

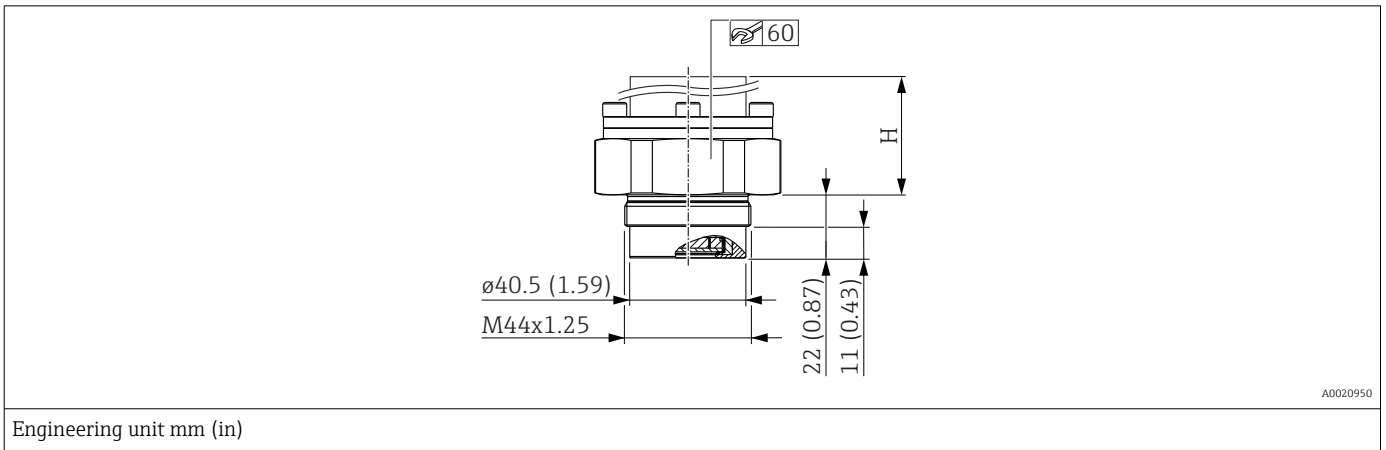
Thread ASME, NPT, flush membrane



Item	Designation	Material	Weight ¹⁾
			kg (lb)
A	Thread ASME 1 1/2" MNPT	AISI 316L	0.80 (1.76)
B	Thread ASME 2" MNPT	AISI 316L	1.20 (2.65)

1) Total weight consisting of sensor assembly and process connection.

Thread DIN 13, flush membrane

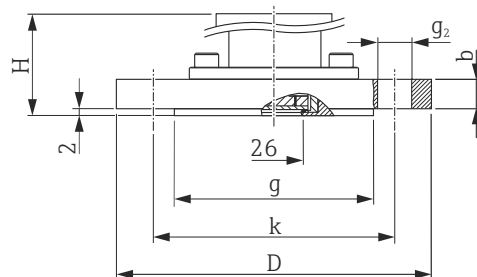


Designation	Material	Weight ¹⁾
		kg (lb)
DIN 13 M44 x 1.25	AISI 316L	0.90 (1.98)

1) Total weight consisting of sensor assembly and process connection.

Flange EN1092-1, flush membrane

Connection dimensions according to EN1092-1.



A0020955

D Diameter of flange
b Thickness
g Raised face
k Pitch diameter
g₂ Diameter of hole

Engineering unit mm

Flange							Boltholes			Weight ¹⁾	
Material	DN	PN	Form	D	b	g	Quantity	g ₂	k		
				mm	mm	mm				mm	mm
AISI 316L	DN 25	PN 10-40	B1	115	18	68	4	14	85	1.9 (4.19)	
AISI 316L	DN 32	PN 10-40	B1	140	18	78	4	18	100	2.5 (5.51)	
AISI 316L	DN 40	PN 10-40	B1	150	18	88	4	18	110	3.0 (6.62)	
PVDF ^{2) 3)}	DN 40	PN 10-16	B2	150	21.4	88	4	18	110	1.3 (2.87)	
ETFE ³⁾	DN 40	PN 10-40	B2	150	21	88	4	18	110	3.0 (6.62)	
AISI 316L	DN 50	PN 10-40	B1	165	20	102	4	18	125	3.5 (7.72)	
PVDF ^{2) 3)}	DN 50	PN 10-16	B2	165	21.4	102	4	18	125	1.4 (3.09)	
ETFE ³⁾	DN 50	PN 25-40	B2	165	21	102	4	18	125	3.7 (8.16)	
AISI 316L	DN 80	PN 10-40	B1	200	24	138	8	18	160	5.8 (12.79)	
ETFE ³⁾	DN 80	PN 25-40	B2	200	25	138	8	18	160	5.2 (11.47)	

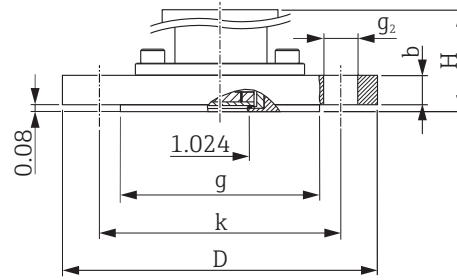
1) Total weight consisting of sensor assembly and process connection.

2) MWP 10 bar (150 psi), OPL max. 15 bar (225 psi); process temperature range: -10 to +60 °C (+14 to +140 °F)

3) ETFE coating on AISI 316L (1.4404). When using in hazardous areas, avoid electrostatic charging of the plastic surfaces.

Flange ASME B16.5, RF, flush membrane

Connection dimensions in accordance with ASME B16.5, raised face RF



A0034685

- D Diameter of flange
- b Thickness
- g Raised face
- k Pitch diameter
- g₂ Diameter of hole

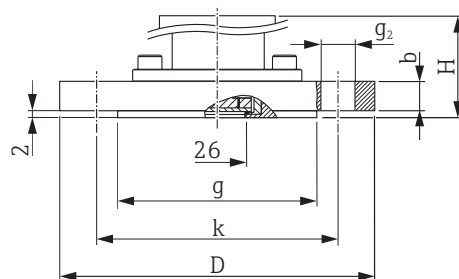
Engineering unit in

Flange						Boltholes			Weight ¹⁾
Material	NPS	Class	D	b	g	Quantity	g ₂	k	
	in		in	in	in		in	in	kg (lb)
AISI 316/316L ^{2) 3)}	1	150	4.25	1.18	2	4	0.62	3.12	2.3 (5.07)
AISI 316/316L ^{2) 3)}	1	300	4.88	1.18	2	4	0.75	3.5	8.5 (18.74)
AISI 316/316L ²⁾	1 ½	150	5	0.69	2.88	4	0.62	3.88	2.1 (4.63)
AISI 316/316L ²⁾	1 ½	300	6.12	0.81	2.88	4	0.88	4.5	3.3 (7.28)
AISI 316/316L ²⁾	2	150	6	0.75	3.62	4	0.75	4.75	3.1 (6.84)
ETFE ⁴⁾	2	150	6	0.75	3.62	4	0.75	4.75	3.1 (6.84)
AISI 316/316L ²⁾	2	300	6.5	0.88	3.62	8	0.75	5	4.0 (8.82)
AISI 316/316L ²⁾	3	150	7.5	0.94	5	4	0.75	6	5.7 (12.57)
ETFE ⁴⁾	3	150	7.5	0.94	5	4	0.75	6	5.7 (12.57)
PVDF ⁵⁾	3	150	7.5	0.94	5	4	0.75	6	1.6 (3.53)
AISI 316/316L ²⁾	3	300	8.25	1.12	5	8	0.88	6.62	7.5 (16.54)
AISI 316/316L ²⁾	4	150	9	0.94	6.19	8	0.75	7.5	7.6 (16.76)
ETFE ⁴⁾	4	150	9	0.94	6.19	8	0.75	7.5	7.8 (17.20)
AISI 316/316L ²⁾	4	300	10	1.25	6.19	8	0.88	7.88	12.4 (27.34)

- 1) Total weight consisting of sensor assembly and process connection.
- 2) Combination of AISI 316 for required pressure resistance and AISI 316L for required chemical resistance (dual rated)
- 3) Screws must be 15 mm (0.59 in) longer than the standard flange screws
- 4) ETFE coating on AISI 316/316L. When using in hazardous areas, avoid electrostatic charging of the plastic surfaces.
- 5) MWP 10 bar (150 psi), OPL max. 15 bar (225 psi); process temperature range: -10 to +60 °C (+14 to +140 °F)

Flange JIS B2220, RF, flush membrane

Connection dimensions in accordance with JIS B 2220 BL, raised face RF



A0034684

D Diameter of flange
b Thickness
g Raised face
k Pitch diameter
g₂ Diameter of hole

Engineering unit mm

Flange						Boltholes			Weight ¹⁾
Material	A ²⁾	K ³⁾	D	b	g	Quantity	g ₂	k	
			mm	mm	mm				kg (lb)
50 A	10 K	155	16	96	4	19	120	2.9 (6.39)	
80 A	10 K	185	18	127	8	19	150	3.9 (8.60)	
100 A	10 K	210	18	151	8	19	175	5.3 (11.69)	

1) Total weight consisting of sensor assembly and process connection.

2) Alphanumeric designation of the flange size.

3) Alphanumeric pressure rating of a component.

Weight**Housing**

Weight including electronics and display.

- Single compartment housing: 1.1 kg (2.43 lb)
- Dual compartment housing
 - Aluminum: 1.4 kg (3.09 lb)
 - Stainless steel: 3.3 kg (7.28 lb)

Sensor, remote (separate housing)

- Housing: see the Housing section
- Housing adapter: 0.55 kg (1.21 lb)
- Process connection adapter: 0.36 kg (0.79 lb))
- Cable:
 - PE cable, 2 meters: 0.18 kg (0.40 lb)
 - PE cable, 5 meters: 0.35 kg (0.77 lb)
 - PE cable, 10 meters: 0.64 kg (1.41 lb)
 - FEP cable, 5 meters: 0.62 kg (1.37 lb)
- Mounting bracket: 0.46 kg (1.01 lb)

Process connections

Weight, see the specific process connection.

Ex d version: 0.63 kg (1.39 lb)

Accessories

Mounting bracket: 0.5 kg (1.10 lb)

Materials in contact with process**Membrane material**

Al₂O₃ Aluminum-oxide ceramic, ultrapure 99.9 %, Ceraphire® (see also www.endress.com)

Seal

- FKM
- EPDM
- HNBR
- FFKM Perlast G75LT
- FFKM Chemraz 505
- FFKM Kalrez 6375

Process connections

See the specific process connection.

Accessories

For technical data (e.g. materials, dimensions or order numbers), see the accessory document SD01553P.

Materials not in contact with process**Single compartment housing and cover**

Polyester powder coating on aluminum as per EN1706 AC43400 (reduced copper content ≤0.1 % to prevent corrosion)

Separate housing

- Mounting bracket
 - Bracket: AISI 316L (1.4404)
 - Screw and nuts: A4-70
 - Half-shells: AISI 316L (1.4404)
- Seal for cable from separate housing: EPDM
- Gland for cable of separate housing: AISI 316L (1.4404)
- PE cable for separate housing: abrasion-proof cable with strain-relief Dynema members; shielded using aluminum-coated foil; insulated with polyethylene (PE-LD), black; copper wires, twisted, UV-resistant
- FEP cable for separate housing: abrasion-proof cable; shielded using galvanized steel wire netting; insulated with fluorinated ethylene propylene (FEP), black; copper cores, twisted, UV-resistant
- Process connection adapter for separate housing: AISI 316L (1.4404)

Aluminum housing nameplate

- Adhesive polyester label
- Versions that can be ordered for use at reduced ambient temperatures: metal wired-on tag plate made of 316L (1.4404)

Cable entries

- M20 gland:
 - Plastic, brass nickel plated or 316L (depends on version ordered)
 - Dummy plug made of plastic, aluminum or 316L (depends on version ordered)
- Thread M20:
 - Dummy plug made of aluminum or 316L (depends on version ordered)
- Thread G1/2:
 - Adapter made of aluminum or 316L (depends on version ordered)
 - If the G1/2 thread is selected, the device is delivered with an M20 thread as standard and a G1/2 adapter is included with the delivery, along with the corresponding documentation
- Thread NPT1/2:
 - Dummy plug made of aluminum or 316L (depends on version ordered)
- Plug M12:
 - CuZn nickel-plated or 316L (depends on version ordered)
 - Dummy plug made of aluminum or 316L (depends on version ordered)
- Plug HAN7D:
 - Aluminum, die-cast zinc, steel
 - Dummy plug made of aluminum or 316L (depends on version ordered)

Connecting parts

- Connection between housing and process connection: AISI 316L (1.4404)
- Measuring cell body: AISI 316L (1.4404)

Accessories



For technical data (e.g. materials, dimensions or order numbers), see the accessory document SD01553P.

Operability

Operating concept (not for devices with 4 to 20 mA analog)

Operator-oriented menu structure for user-specific tasks

- User navigation
- Diagnostics
- Application
- System

Fast and safe commissioning

- Interactive wizard with graphical user interface for guided commissioning in FieldCare, DeviceCare or DTM, AMS and PDM-based third-party tools or SmartBlue
- Menu guidance with short explanations of the individual parameter functions
- Standardized operation at the device and in the operating tools

Efficient diagnostic behavior increases measurement availability

- Remedial measures are integrated in plain text
- Diverse simulation options

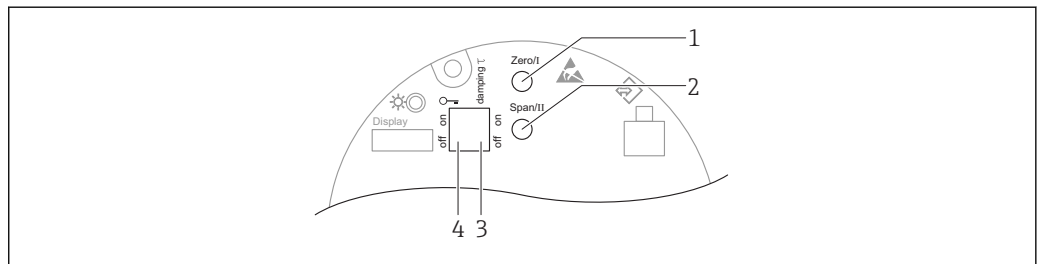
Bluetooth module (optionally integrated in local display)

- Quick and easy setup with SmartBlue app or PC with DeviceCare, version 1.07.00 and higher, or FieldXpert SMT70
- No additional tools or adapters required
- Encrypted single point-to-point data transmission (tested by Fraunhofer Institute) and password-protected communication via *Bluetooth*® wireless technology

Local operation

Operating keys and DIP switches on the electronic insert

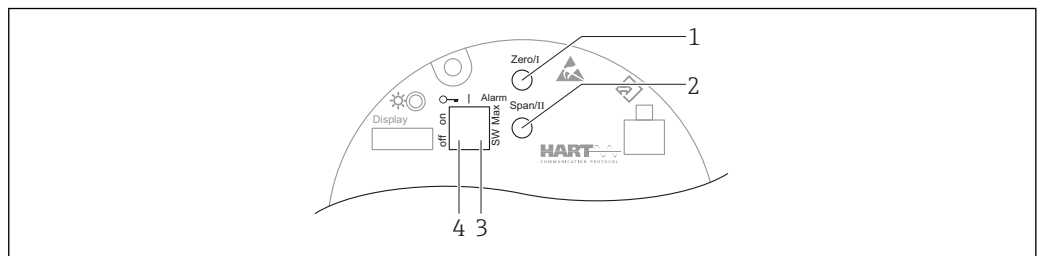
Analog 4 to 20 mA



A0039284

- 1 Operating key for lower range value (Zero)
- 2 Operating key for upper range value (Span)
- 3 DIP switch for damping
- 4 DIP switch for locking and unlocking the device

HART



A0039285

- 1 Operating key for lower range value (Zero)
- 2 Operating key for upper range value (Span)
- 3 DIP switch for alarm current
- 4 DIP switch for locking and unlocking the device

 The setting of the DIP switches has priority over the settings made via other operation methods (e.g. FieldCare/DeviceCare).

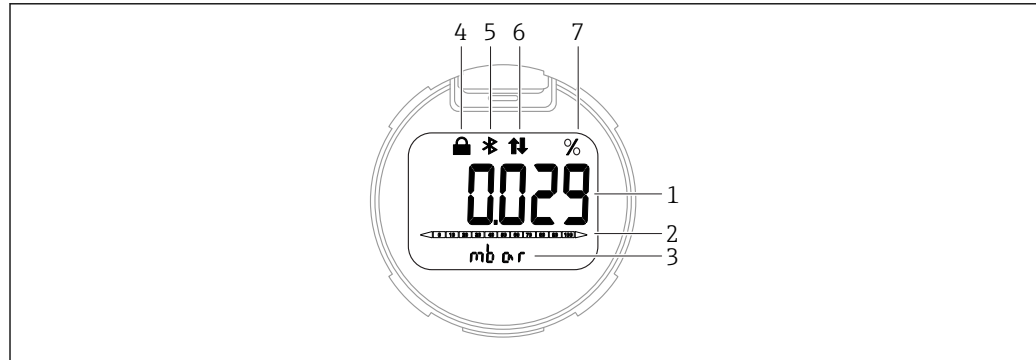
Local display**Device display (optional)**

Functions:

Display of measured values and fault and notice messages



The device displays are available with the additional option of Bluetooth® wireless technology.



A0043599

4 Segment display

- 1 Measured value
- 2 Bar graph proportional to the current output
- 3 Unit of measured value
- 4 Locked (symbol appears when the device is locked)
- 5 Bluetooth (symbol flashes if Bluetooth connection is active) (only HART)
- 6 HART communication (symbol appears if HART communication is active) , or (only HART)
- 7 Measured value output in %

Remote operation**Via HART protocol****Via service interface (CDI)**

With the Commubox FXA291, a CDI connection is established with the device interface and a Windows PC/notebook with a USB port.

Operation via Bluetooth® wireless technology (optional)

Prerequisite

- Device with Bluetooth display
- Smartphone or tablet with Endress+Hauser SmartBlue app or PC with DeviceCare from version 1.07.00 or FieldXpert SMT70

The connection has a range of up to 25 m (82 ft). The range can vary depending on environmental conditions such as attachments, walls or ceilings.

System integration**HART**

Version 7

Supported operating tools

Smartphone or tablet with Endress+Hauser SmartBlue (app), DeviceCare, version 1.07.00 and higher, FieldCare, DTM, AMS and PDM.

Certificates and approvals



Certificates, approvals and other documentation that are currently available can be accessed on the Endress+Hauser website: www.endress.com → Downloads.

CE mark The device meets the legal requirements of the relevant EC directives. Endress+Hauser confirms that the device has been successfully tested by applying the CE mark.

RCM-Tick marking The supplied product or measuring system meets the ACMA (Australian Communications and Media Authority) requirements for network integrity, interoperability, performance characteristics as well as health and safety regulations. Here, especially the regulatory arrangements for electromagnetic compatibility are met. The products bear the RCM-Tick marking on the nameplate.



A0029561

Ex approvals

- ATEX
- CSA (in preparation)
- NEPSI (in preparation)
- INMETRO (in preparation)
- KC (in preparation)
- EAC (in preparation)
- JPN (in preparation)
- Also combinations of different approvals

All the data related to explosion protection is provided in separate Ex documentation which is also available upon request. The Ex documentation is supplied as standard with all devices approved for use in explosion hazardous areas.

Additional approvals in preparation.

Explosion-protected smartphones and tablets

If used in hazardous areas, mobile end devices with an Ex approval must be used.

Sanitary compatibility

The following applies for the ceramic process membrane:

The US Food & Drug Administration (FDA) has no objections to the use of ceramics made from aluminum oxide as a surface material in contact with foodstuffs. This declaration is based on the FDA certificates of our ceramic suppliers.

EAC conformity

The device meets the legal requirements of the applicable EAC Directives. These are listed in the corresponding EAC Declaration of Conformity along with the standards applied.

Endress+Hauser confirms successful testing of the device by affixing to it the EAC mark.

Drinking water approval

- NSF/ANSI 61 drinking water approval
- KTW drinking water approval W 270

Overfill protection (in preparation)

The device is tested in accordance with the approval guidelines for overfill protection units (ZG-ÜS:2012-07) as overfill protection as per Section 63 of the German Water Resources Act (WHG).

Functional safety SIL/ IEC 61508 Declaration of Conformity (optional)

The devices with a 4-20 mA output signal have been developed according to the IEC 61508 standard. These devices can be used to monitor the process level and pressure up to SIL 3. For a detailed description of the safety functions, settings and functional safety data, see the "Functional Safety Manual".

Marine approval (pending)

- ABS (American Bureau of Shipping)
- LR (Lloyd's Register)
- BV (Bureau Veritas)
- DNV GL (Det Norske Veritas / Germanischer Lloyd)

Radio approval

Displays with Bluetooth LE have radio licenses according to CE and FCC. The relevant certification information and labels are provided on display.

Test reports**Test, certificate, declarations**

- Inspection certificate 3.1, EN10204 (material certificate, wetted metallic parts)
- NACE MRO175 / ISO 15156 (wetted metallic parts), declaration
- NACE MRO103 / ISO 17945 (wetted metallic parts), declaration
- AD 2000 (wetted metal parts), declaration, excluding process membrane
- Pressure test, internal procedure, test report
- Helium leak test, internal procedure, test report
- PMI test, internal procedure (wetted metallic parts), test report

Test reports, declarations and inspection certificates are provided electronically in the Device Viewer: enter the serial number of the nameplate (www.endress.com/deviceviewer).

Applicable for the order codes "Calibration" and "Test, certificate".

Product documentation on paper

Test reports, declarations and inspection certificates in hard copy can optionally be ordered with the order option "Product documentation on paper". These documents are supplied with the ordered product.

Calibration

5-point calibration certificate

10-point calibration certificate, traceable to ISO/IEC 17025

Manufacturer declarations

A variety of manufacturer declarations can be downloaded from the Endress+Hauser website. Other manufacturer declarations can be ordered through the Endress+Hauser sales office.

Downloading the Declaration of Conformity

www.endress.com → Download

Pressure Equipment Directive 2014/68/EU (PED)**Pressure equipment with allowable pressure ≤ 200 bar (2 900 psi)**

Pressure equipment (maximum working pressure $PS \leq 200$ bar (2 900 psi)) can be classified as pressure accessories according to the Pressure Equipment Directive 2014/68/EU. If the maximum working pressure is ≤ 200 bar (2 900 psi) and the pressurized volume of the pressure equipment is ≤ 0.1 l, the pressure equipment is subject to the Pressure Equipment Directive (see Pressure Equipment Directive 2014/68/EU, Art.4, Point 3). The Pressure Equipment Directive only requires that the pressure equipment shall be designed and manufactured in accordance with the "sound engineering practice of a Member State".

Reasons:

- Pressure Equipment Directive (PED) 2014/68/EU Article 4, point 3
- Pressure equipment directive 2014/68/EU, Commission's Working Group "Pressure", Guideline A-05 + A-06

Note:

A partial examination shall be performed for pressure instruments that are part of a safety instrumented system for the protection of a pipe or vessel from exceeding allowable limits (safety accessory in accordance with Pressure Equipment Directive 2014/68/EU, Article 2, point 4).

Pressure equipment with allowable pressure > 200 bar (2 900 psi)

Pressure equipment designated for application in every process fluid having a pressurized volume of <0.1 l and a max. allowable pressure $PS > 200$ bar (2 900 psi) shall satisfy the essential safety requirements set out in Annex I of the Pressure Equipment Directive 2014/68/EU. According to Article 13 pressure equipment shall be classified by category in accordance with Annex II. Taking into account the low pressurized volume discussed above, the pressure devices are classed as category I pressure equipment. These devices must then bear the CE marking.

Reasons:

- Pressure Equipment Directive 2014/68/EU, Article 13, Annex II
- Pressure equipment directive 2014/68/EU, Commission's Working Group "Pressure", Guideline A-05

Note:

A partial examination shall be performed for pressure instruments that are part of a safety instrumented system for the protection of a pipe or vessel from exceeding allowable limits (safety accessory in accordance with Pressure Equipment Directive 2014/68/EU, Article 2, point 4).

Oxygen application	Verified cleaned, suitable for O2 service (wetted parts)
PWIS-free applications	Special cleaning of the transmitter to remove paint-wetting impairment substances, for use in paint shops, for instance.
China RoHS symbol	The device is visibly identified according to SJ/T 11363-2006 (China-RoHS).
RoHS	The measuring system complies with the substance restrictions of the Restriction on Hazardous Substances Directive 2011/65/EU (RoHS 2).
Additional certification	<p>Classification of process sealing between electrical systems and (flammable or combustible) process liquids according to UL 122701 (previously ANSI/ISA 12.27.01)</p> <p>Endress+Hauser devices are designed according to UL 122701 (previously ANSI/ISA 12.27.01) and allow the user to waive the use of - and save the cost of installing - external secondary process seals in the conduit as required by the process sealing sections of ANSI/NFPA 70 (NEC) and CSA 22.1 (CEC). These devices comply with the North-American installation practice and provide a very safe and cost-saving installation for pressurized applications with hazardous media. The devices are assigned to "single seal" as follows:</p> <p>CSA C/US IS, XP, NI: 40 bar (600 psi)</p> <p>Further information can be found in the control drawings of the relevant devices.</p> <p>Metrological accreditation</p> <p>With the order option "China", the device is supplied with a Chinese nameplate in accordance with the Chinese Quality Law.</p>

Ordering information

Ordering information

Detailed ordering information is available from the nearest sales organization www.addresses.endress.com or in the Product Configurator under www.endress.com:

1. Select the product using the filters and search field.
2. Open the product page.

The **Configuration** button opens the Product Configurator.

Product Configurator - the tool for individual product configuration

- Up-to-the-minute configuration data
- Depending on the device: direct input of information specific to the measuring point, such as the measuring range or operating language
- Automatic verification of exclusion criteria
- Automatic creation of the order code and its breakdown in PDF or Excel output format
- Ability to order directly in the Endress+Hauser Online Shop


Scope of delivery

The scope of delivery comprises:

- Device
- Optional accessories

Accompanying documentation:

- Brief Operating Instructions
- Final inspection report
- Additional Safety Instructions for devices with approvals (e.g. ATEX, IECEx, NEPSI, etc.)
- Optional: factory calibration form, test certificates

 The Operating Instructions are available on the Internet at:

www.endress.com → Download

Measuring point (tag)

- Order code: marking
- Option: Z1, tagging (TAG), see additional specification
- Location of tag identifier: to be selected in the additional specifications
 - Tag plate, stainless steel
 - Self-adhesive paper label
 - Supplied plate
 - RFID TAG
 - RFID TAG + tag plate stainless steel
 - RFID TAG + self-adhesive paper label
 - RFID TAG + supplied label/plate
- Definition of tag name: to be defined in the additional specifications
3 lines, each containing up to maximum 18 characters
The specified tag name appears on the selected label and/or the RFID TAG
- Identification on electronic nameplate (ENP): 32 digits

Test reports, declarations and inspection certificates

All test reports, declarations and inspection certificates are provided electronically in the *W@M Device Viewer*:

Enter the serial number from the nameplate (www.endress.com/deviceviewer)

Product documentation on paper

Test reports, declarations and inspection certificates in hard copy can optionally be ordered with feature 570 "Service", Version I7 "Product documentation on paper". The documents are then provided with the device upon delivery.

Accessories

Device-specific accessories

Mechanical accessories

- Mounting bracket for housing
- Mounting bracket for block & bleed valves
- Block&Bleed valves:
 - Block&Bleed valves can be ordered as **enclosed** accessories (seal for mounting is enclosed)
 - Block&Bleed valves can be ordered as **mounted** accessories (mounted manifolds are supplied with a documented leak test)
 - Certificates (e.g. 3.1 material certificate and NACE) and tests (e.g. PMI and pressure test) that are ordered with the device apply for the transmitter and the manifold
 - During the operating life of the valves, it may be necessary to re-tighten the pack
- Water pocket pipes (PZW)
- Flushing rings
- Weather protection covers



For technical data (e.g. materials, dimensions or order numbers), see the accessory document SD01553P.

Plug connectors

- Plug connector M12 90 deg, IP67 5m cable, union nut, Cu Sn/Ni
- Plug connector M12, IP67 union nut, Cu Sn/Ni
- Plug connector M12, 90 deg IP67 union nut, Cu Sn/Ni



The IP protection classes are only maintained if the dummy cap is used or the cable is connected.

Weld-in accessory




For details, refer to TI00426F/00/EN "Weld-in adapters, process adapters and flanges".

Device Viewer

All the spare parts for the device, along with the order code, are listed in the *Device Viewer* (www.endress.com/deviceviewer).

Supplementary documentation

-  For an overview of the scope of the associated Technical Documentation, refer to the following:
- *Device Viewer* (www.endress.com/deviceviewer): enter the serial number from the nameplate
 - *Endress+Hauser Operations App*: enter the serial number from the nameplate or scan the 2D matrix code (QR code) on the nameplate

Standard documentation

- **Technical Information: planning guide**
The document contains all the technical data on the device and provides an overview of the accessories and other products that can be ordered for the device
- **Brief Operating Instructions: takes you quickly to the 1st measured value**
The Brief Operating Instructions contain all the essential information from incoming acceptance to initial commissioning
- **Operating Instructions: reference manual**
The Operating Instructions contain all the information that is required in the various phases of the life cycle of the device: from product identification, incoming acceptance and storage, to mounting, connection, operation and commissioning through to troubleshooting, maintenance and disposal


Supplementary device-dependent documentation

Additional documents are supplied depending on the device version ordered: Always comply strictly with the instructions in the supplementary documentation. The supplementary documentation is an integral part of the device documentation.

Field of Activities

-  Document FA00004P
Pressure measurement, powerful devices for process pressure, differential pressure, level and flow

Special Documentation

-  Document SD01553P
Mechanical accessories for pressure equipment
The documentation provides an overview of available manifolds, oval flange adapters, pressure gauge valves, shutoff valves, water pocket pipes, condensate pots, cable shortening kits, test adapters, flushing rings, Block&Bleed valves and protective roofs.

Registered trademarks

HART®

Registered trademark of the FieldComm Group, Austin, Texas, USA

Bluetooth®

The Bluetooth® wordmark and logos are registered trademarks of Bluetooth SIG, Inc. and any use of these trademarks by Endress+Hauser is licensed. Other trademarks and trade names are those of their respective owners.

KALREZ®

Registered trademark of DuPont Performance Elastomers L.L.C., Wilmington, USA



www.addresses.endress.com
