



Level



Pressure



Flow



Temperature



Liquid  
Analysis



Registration



Systems  
Components



Services



Solutions

## Technical Information

# RMA42

Process transmitter with control unit

Digital process transmitter for mounting on a top-hat rail for monitoring and visualizing analog measured values



### Application

- Plant and apparatus engineering and construction
- Control rooms and cabinets
- Laboratories
- Process recording and supervision
- Process control
- Signal adjustment and signal conversion
- Overfill protection according to WHG

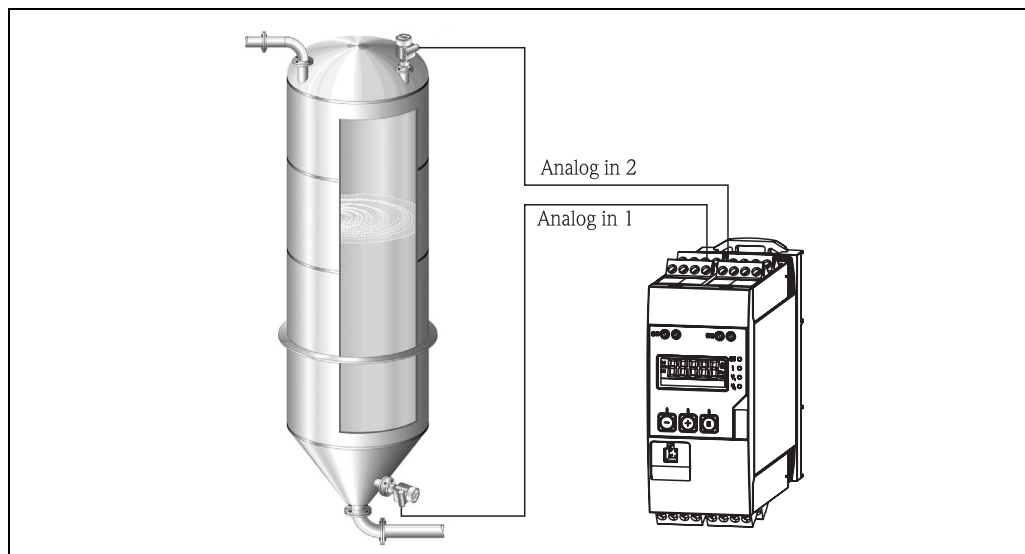
### Your benefits

- 5-digit, 7-segment backlit LC display
- User-configurable dot matrix display range for bar graph, units and tag name
- 1 or 2 universal inputs
- 2 relays (optional)
- Min./max. value saved
- 1 or 2 calculated values
- One linearization table with 32 points for each calculated value
- 1 or 2 analog outputs
- Digital status output (open collector)
- Operation using 3 keys
- Configuration via interface and FieldCare software



## Function and system design

### Application



Example for "differential pressure" application

The RMA42 process transmitter powers the transmitter and processes analog signals from transmitters, particularly from the area of process instrumentation. These signals are monitored, evaluated, calculated, saved, separated, linked, converted and displayed. The signals, intermediate values and the results of calculations and analysis are transmitted by digital or analog means.

### Measuring system

The RMA42 is a process transmitter, which is controlled by a microcontroller, and exhibits a display, analog inputs for process and status signals, analog and digital outputs, as well as an interface for configuration. Connected sensors (e.g. temperature, pressure) can be powered by the integrated transmitter power supply system. The signals to be measured are converted from analog to digital signals, processed digitally in the device, and then converted from digital to analog signals and made available to the various outputs. All measured values, and values calculated in any way, are available as a signal source for the display, all outputs, relays and the interface. It is possible to make multiple use of the signals and results (e.g. a signal source as an analog output signal and limit value for a relay).

### Mathematics functions

The following mathematics functions are available in RMA42:

- Sum
- Difference
- Mean
- Linearization

#### Linearization function

Up to 32 user-definable points are available in the device per calculated value to linearize the input, e.g. for tank linearization. In the case of the two-channel device (option), mathematics channel M2 can be used to linearize mathematics channel M1.

Linearization is also available in the FieldCare configuration software.

## Input

<b>Inputs</b>	One or two universal inputs
<b>Measured variable</b>	Current, voltage, resistance, resistance thermometer, thermocouples
<b>Measuring ranges</b>	<p>Current:</p> <ul style="list-style-type: none"> <li>■ 0/4 to 20 mA +10% overrange</li> <li>■ Short-circuit current: max. 150 mA</li> <li>■ Load: 10 <math>\Omega</math></li> </ul> <p>Voltage:</p> <ul style="list-style-type: none"> <li>■ 0 to 10 V, 2 to 10 V, 0 to 5 V, 0 to 1 V, 1 to 5 V, <math>\pm 1</math> V <math>\pm 10</math> V, <math>\pm 30</math> V, <math>\pm 100</math> mV</li> <li>■ Max. permitted input voltage: <ul style="list-style-type: none"> <li>Voltage <math>\geq 1</math> V: <math>\pm 35</math> V</li> <li>Voltage <math>&lt; 1</math> V: <math>\pm 12</math> V</li> </ul> </li> <li>■ Input impedance: <math>&gt; 1</math> M<math>\Omega</math></li> </ul> <p>Resistance:</p> <ul style="list-style-type: none"> <li>■ 30 to 3000 <math>\Omega</math></li> </ul> <p>Resistance thermometer:</p> <ul style="list-style-type: none"> <li>■ Pt 100 as per IEC60751, GOST, JIS1604</li> <li>■ Pt 500 and Pt 1000 as per IEC60751</li> <li>■ Cu 100, Cu 50, Pt 50, Pt 46, Cu 53 as per GOST</li> <li>■ Ni 100, Ni 1000 as per DIN 43760</li> </ul> <p>Thermocouple types:</p> <ul style="list-style-type: none"> <li>■ Type J, K, T, N, B, S, R as per IEC60584</li> <li>■ Type U as per DIN 43710</li> <li>■ Type L as per DIN 43710, GOST</li> <li>■ Type C, D as per ASTM E998</li> </ul>
<b>Update time</b>	200 ms
<b>Linearization</b>	Linearization of input signals and calculated values possible over a maximum of 32 points.
<b>Galvanic isolation</b>	Towards all other circuits

## Output

**Output signal** One or two analog outputs, galvanically isolated

**Current/voltage output**

**Current output:**

- 0/4 to 20 mA
- Overage up to 22 mA

**Voltage:**

- 0 to 10 V, 2 to 10 V, 0 to 5 V, 1...5 V
- Overage: up to 11 V, short-circuit proof,  $I_{\max} < 25$  mA

**Loop power supply**

- Open-circuit voltage: 24 V DC (+15% /-5%)  
Ex version: > 14 V at 22 mA  
Non-hazardous operation: > 16 V at 22 mA
- Maximum 30 mA short-circuit-proof and overload-proof
- Galvanically isolated from system and outputs

**HART®:**  
HART® signals are not affected

**Status output** Open Collector for monitoring of the device state and alarm notification. The OC output is closed in normal state. In error state, the OC output is opened.

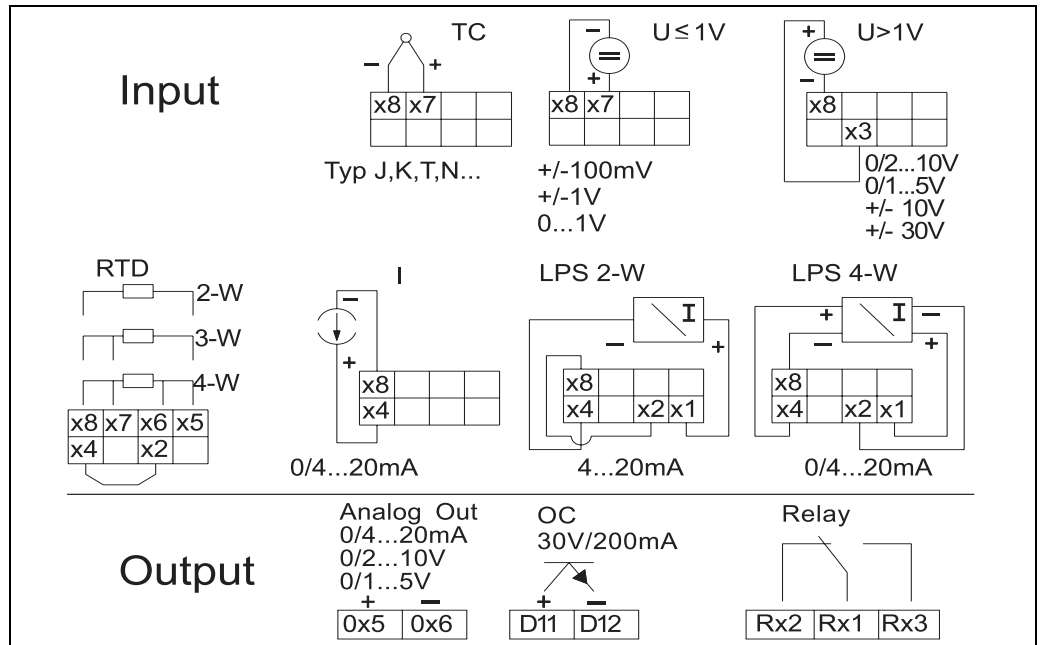
- $I_{\max} = 200$  mA
- $U_{\max} = 28$  V
- $U_{\text{on}/\max} = 2$  V at 200 mA

**Limit function**

Relay contact	Changeover
Maximum contact burden DC	30 V / 3 A (permanent state, without destruction of the input)
Maximum contact burden AC	250 V / 3 A (permanent state, without destruction of the input)
Minimum contact load	500 mW (12 V/10 mA)
Galvanic isolation towards all other circuits	Test voltage 1500V AC
Switching cycles	> 1 million

## Terminal assignment

### Electrical connection



Terminal assignment of the process transmitter

### Supply voltage

Wide-range power supply unit 24 to 230 V AC/DC (-20 % / +10 %) 50/60 Hz

### Power consumption

Max. 14 VA / 6.4 W

### Connection data interface

#### CommuBox FXA291 PC USB interface

- Connection: 4-pin connector
- Transmission protocol: FieldCare
- Transmission rate: 38,400 Baud

#### Interface cable TXU10-AC PC USB interface

- Connection: 4-pin connection
- Transmission protocol: FieldCare
- Delivery scope: Interface cable incl. FieldCare Device Setup DVD with all Comm DTMs and Device DTMs

#### HART®

- Connection sockets on the front of the device
- Internal communication resistor

## Performance characteristics

### Reference operating conditions

Power supply: 230 V AC, 50/60 Hz  
Ambient temperature: 25 °C ± 5 °C (77 °F ± 9 °F)  
Humidity: 20 % to 60 % rel. humidity

### Maximum measured error

### Universal input:

Accuracy	Input:	Range:	Maximum measured error of measuring range (oMR):
	Current	0 to 20 mA, 0 to 5 mA, 4 to 20 mA; overrange: to 22 mA	± 0.05%
	Voltage ≥ 1 V	0 to 10 V, 2 to 10 V, 0 to 5 V, 1 to 5 V, 0 to 1 V, ± 1 V, ± 10 V, ± 30 V	± 0.1%
	Voltage < 1 V	± 100 mV	± 0.05%
	Resistance measurement	30 to 3000 Ω	4-wire: ± (0.10% oMR + 0.8 Ω) 3-wire: ± (0.10% oMR + 1.6 Ω) 2-wire: ± (0.10% oMR + 3 Ω)
	Resistance thermometer	Pt100, -200 to 850 °C (-328 to 1562 °F) (IEC60751, α=0.00385) Pt100, -200 to 850 °C (-328 to 1562 °F) (JIS1604, w=1.391) Pt100, -200 to 649 °C (-328 to 1200 °F) (GOST, α=0.003916) Pt500, -200 to 850 °C (-328 to 1562 °F) (IEC60751, α=0.00385) Pt1000, -200 to 600 °C (-328 to 1112 °F) (IEC60751, α=0.00385)	4-wire: ± (0.10% oMR + 0.3 K (0.54 °F)) 3-wire: ± (0.10% oMR + 0.8 K (1.44 °F)) 2-wire: ± (0.10% oMR + 1.5 K (2.7 °F))
		Cu100, -200 to 200 °C (-328 to 392 °F) (GOST, w=1.428) Cu50, -200 to 200 °C (-328 to 392 °F) (GOST, w=1.428) Pt50, -200 to 1100 °C (-328 to 2012 °F) (GOST, w=1.391) Pt46, -200 to 850 °C (-328 to 1562 °F) (GOST, w=1.391) Ni100, -60 to 250 °C (-76 to 482 °F) (DIN43760, α=0.00617) Ni1000, -60 to 250 °C (-76 to 482 °F) (DIN43760, α=0.00617)	4-wire: ± (0.20% oMR + 0.3 K (0.54 °F)) 3-wire: ± (0.20% oMR + 0.8 K (1.44 °F)) 2-wire: ± (0.20% oMR + 1.5 K (2.7 °F))
		Cu53, -50 to 200 °C (-58 to 392 °F) (GOST, w=1.426)	4-wire: ± (0.30% oMR + 0.3 K (0.54 °F)) 3-wire: ± (0.30% oMR + 0.8 K (1.44 °F)) 2-wire: ± (0.30% oMR + 1.5 K (2.7 °F))
	Thermocouples	Type J (Fe-CuNi), -210 to 1200 °C (-346 to 2192 °F) (IEC60584)	± (0.1% oMR + 0.5 K (0.9 °F)) from -100 °C (-148 °F)
		Type K (NiCr-Ni), -200 to 1372 °C (-328 to 2502 °F) (IEC60584)	± (0.1% oMR + 0.5 K (0.9 °F)) from -130 °C (-202 °F)
		Type T (Cu-CuNi), -270 to 400 °C (-454 to 752 °F) (IEC60584)	± (0.1% oMR + 0.5 K (0.9 °F)) from -200 °C (-328 °F)
		Type N (NiCrSi-NiSi), -270 to 1300 °C (-454 to 2372 °F) (IEC60584)	± (0.1% oMR + 0.5 K (0.9 °F)) from -100 °C (-148 °F)
		Type L (Fe-CuNi), -200 to 900 °C (-328 to 1652 °F) (DIN43710, GOST)	± (0.1% oMR + 0.5 K (0.9 °F)) from -100 °C (-148 °F)
		Type D (W3Re/W25Re), 0 to 2495 °C (32 to 4523 °F) (ASTME998)	± (0.15% oMR + 1.5 K (2.7 °F)) from 500 °C (from 932 °F)
		Type C (W5Re/W26Re), 0 to 2320 °C (32 to 4208 °F) (ASTME998)	± (0.15% oMR + 1.5 K (2.7 °F)) from 500 °C (932 °F)
		Type B (Pt30Rh-Pt6Rh), 0 to 1820 °C (32 to 3308 °F) (IEC60584)	± (0.15% oMR + 1.5 K (2.7 °F)) from 600 °C (1112 °F)
		Type S (Pt10Rh-Pt), -50 to 1768 °C (-58 to 3214 °F) (IEC60584)	± (0.15% oMR + 3.5 K (6.3 °F)) for -50 to 100 °C (-58 to 212 °F) ± (0.15% oMR + 1.5 K (2.7 °F)) for 100 to 1768 °C (212 to 3214 °F)
		Type R (Pt13Rh-Pt), -50 to 1768 °C (-58 to 3214 °F) (IEC60584)	± (0.15% oMR + 3.5 K (6.3 °F)) for -50 to 100 °C (-58 to 212 °F) ± (0.15% oMR + 1.5 K (2.7 °F)) for 100 to 1768 °C (212 to 3214 °F)
	Type U (Cu-CuNi), -200 to 600 °C (-328 to 1112 °F) (DIN 43710)	± (0.15% oMR + 0.5 K (0.9 °F)) from -100 °C (-148 °F)	
AD converter resolution		16 bit	

Temperature drift	Temperature drift: $\leq 0.01\%/K$ ( $0.1\%/18\text{ }^\circ\text{F}$ ) oMR $\leq 0.02\%/K$ ( $0.2\%/18\text{ }^\circ\text{F}$ ) oMR for Cu100, Cu50, Cu53, Pt50 and Pt46
-------------------	--

**Analog output:**

Current	0/4 to 20 mA, overrange to 22 mA	$\pm 0.05\%$ of measuring range
	Max. load	500 $\Omega$
	Max. inductance	10 mH
	Max. capacitance	10 $\mu\text{F}$
	Max. ripple	10 mVpp at 500 $\Omega$ , frequency < 50 kHz
Voltage	0 to 10 V, 2 to 10 V 0 to 5 V, 1...5 V Overrange: up to 11 V, short-circuit proof, $I_{\text{max}} < 25\text{ mA}$	$\pm 0.05\%$ of measuring range $\pm 0.1\%$ of measuring range
	Max. ripple	10 mVpp at 1000 $\Omega$ , frequency < 50 kHz
Resolution	13 bit	
Temperature drift	0.01%/K ( $0.1\%/18\text{ }^\circ\text{F}$ ) of of measuring range	
Galvanic isolation	Testing voltage of 500 V towards all other circuits	

**Installation****Installation instructions****Mounting location**

Mounting on top-hat rail as per IEC 60715.

**Orientation**

No restrictions.

**Environment****Ambient temperature range**

-20 to +60  $^\circ\text{C}$  (-4 to 140  $^\circ\text{F}$ )

To avoid heat accumulation, always make sure the device is sufficiently cooled.

If the device is operated in the upper temperature limit range, this reduces the operating life of the display.

**Storage temperature**

-40 to +85  $^\circ\text{C}$  (-40 to 185  $^\circ\text{F}$ )

**Operating height**

< 3000 m above MSL (9840 ft)

**Climate class**

As per IEC 60654-1, Class B2

**Degree of protection**

Top-hat rail housing IP 20

**Condensation**

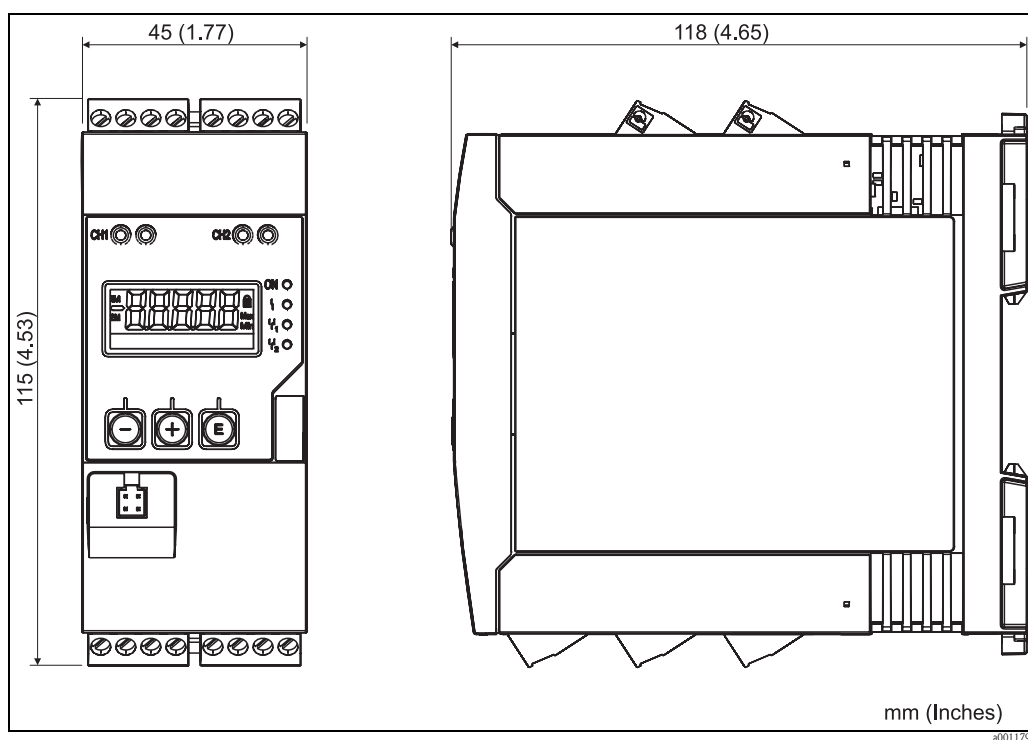
Not permitted

**Electrical safety**

Protection class I, overvoltage category II, pollution level II

**Electromagnetic compatibility (EMC)**

- Interference immunity:  
To IEC 61326 industrial environments / NAMUR NE 21
- Interference emissions:  
To IEC 61326 Class A

**Mechanical construction****Design, dimensions***Dimensions of the process transmitter***Weight**

Approx. 300 g (10.6 oz)

**Material**

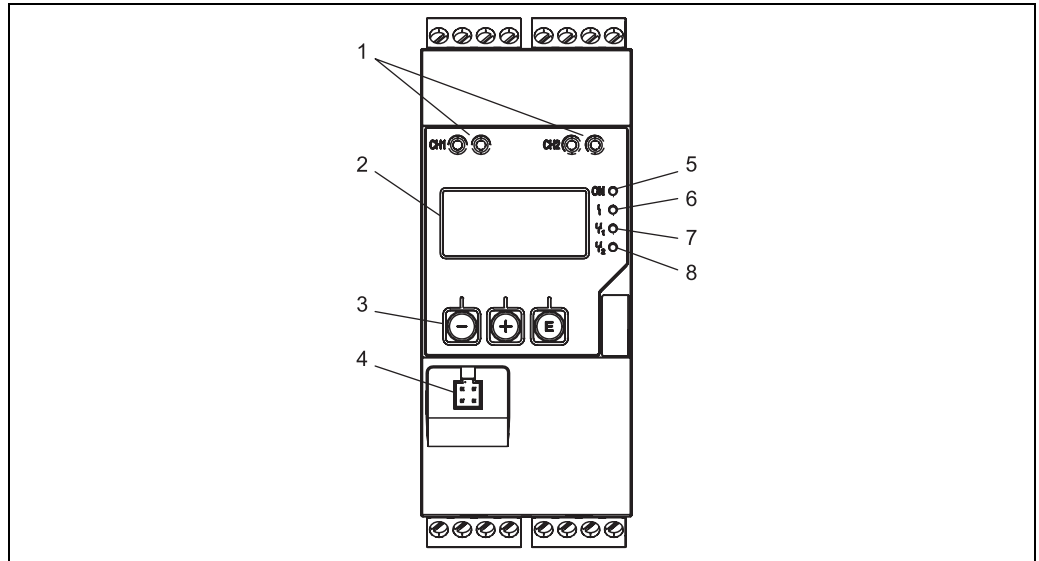
- Housing: plastic PC-GF10

**Terminals**Screw terminals, plug-in; 2.5 mm<sup>2</sup> (14 AWG)



## Human interface

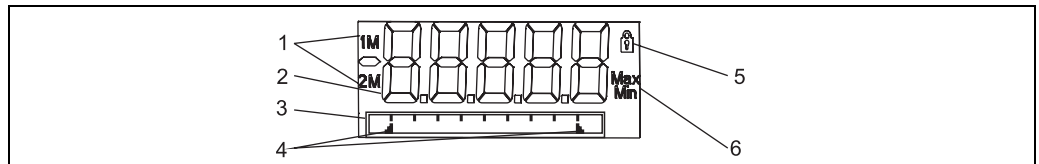
### Display elements



a0011765

Display and operating elements of the process transmitter

- 1: HART® connection sockets
- 2: Display
- 3: Operating keys
- 4: PC interface connection port
- 5: Green LED; on = supply voltage applied
- 6: Red LED; on = error/ alarm
- 7: Yellow LED; on = relay 1 energized
- 8: Yellow LED; on = relay 2 energized



a0011765

Display of the process transmitter

- 1: Channel display: 1: analog input 1; 2: analog input 2; 1M: calculated value 1; 2M: calculated value 2
- 2: Measured value display
- 3: Dot matrix display for TAG, bar graph and unit
- 4: Limit value indicators in the bar graph
- 5: "Operation locked" indicator
- 6: Minimum/maximum value indicator

- Display
  - 5-digit, 7-segment backlit LC display
  - Dot matrix for text/bar graph
- Display range
  - 99999 to +99999 for measured values
- Signaling
  - Setup security locking (lock)
  - Measuring range overshoot/undershoot
  - 2 x status relay (only if relay option was selected)

### Operating elements

3 keys: -, +, E

---

**Remote operation****Configuration**

The device can be configured with the PC software or on site using the operating keys. FieldCare Device Setup is delivered together with the Commubox FXA291 or TXU10-AC (see 'Accessories') or can be downloaded free of charge from [www.endress.com](http://www.endress.com).

**Interface**

4-pin socket on the front of the device; connection to the PC via Commubox FXA291 or TXU10-AC interface cable (see 'Accessories')

---

## Certificates and approvals

---

**CE mark**

The device meets the legal requirements of the EU directives. Endress+Hauser confirms that the device has been tested successfully by affixing the CE mark.

---

**Ex approval**

Information about currently available Ex versions (ATEX, FM, CSA, etc.) can be supplied by your E+H Sales Center on request. All explosion protection data are given in a separate documentation which is available upon request.

---

**Other standards and guidelines**

- IEC 60529:  
Degrees of protection by housing (IP code)
- IEC 61010-1:  
Safety requirements for electrical equipment for measurement, control and laboratory use
- EN 60079-11  
Explosive atmospheres – Part 11: equipment protection by intrinsic safety "I"

## Ordering information

### Product structure

<b>RMA42</b>	<b>Process transmitter</b> Universal process transmitter. DIN rail. 1/2-channel, scalable universal input. LC display, 7-segment range, 5-digits. Dot-Matrix-Area variable configurable + bargraph/unit/channel identification. Linearization, limit function, min-/max-value data, alarm logging. 3 key button operation, 4 status LED. Loop power supply. Multi voltage power supply unit Basic unit: 1x universal input, 1x analog output.
	<b>Approval:</b> <b>AA</b> Non-hazardous area <b>BH</b> ATEX II (1)GD [Ex ia] IIC <b>CB</b> ATEX AIS, NI/1/2/ABCDEFG/T4 <b>CP</b> CSA General purpose <b>FB</b> FM AIS, NI/1/2/ABCDEFG/T4
	<b>Input; output:</b> <b>A</b> 1 x universal; 1 x analog <b>B</b> 2 x universal; 2 x analog <b>C</b> 1 x universal; 1 x analog + 2 relays <b>D</b> 2 x universal; 2 x analog + 2 relays
<b>RMA42-</b>	← <b>Order code</b> (part 1; 1 feature must be selected per category.)
<b>Additional options (not compulsory - no selection or multiple selection possible)</b>	
	<b>Calibration</b> F1 Works calib. certificate
	<b>Service</b> G1 Customized pre-installed
	<b>Additional Approval</b> H2 UL listed H3 SIL H4 WHG overspill protection
	<b>Accessory enclosed</b> I3 Configuration kit
	<b>Marking</b> Z2 Tagging (TAG), on device Z3 Commissioning label, paper Z6 Tagging (TAG), by customer
<b>RMA42-</b>	+ ← <b>Order code</b> , complete

## Accessories

### PC operating software

FieldCare

### Interface cable

Order No.	Name
FXA291	Commubox FXA291 incl. FieldCare Device Setup and DTM library
TXU10-AC	Commubox TXU10 incl. FieldCare Device Setup and DTM library

## Documentation

- Overview brochure: System components - Indicators with control unit for field and panel mounting, power supplies, barriers, transmitters, energy managers and surge arresters: FA016K/09
- Operating Instructions for 'Process transmitter RMA42': BA287R/09

---

## Instruments International

Endress+Hauser  
Instruments International AG  
Kaegenstrasse 2  
4153 Reinach  
Switzerland

Tel. +41 61 715 81 00  
Fax +41 61 715 25 00  
[www.endress.com](http://www.endress.com)  
[info@ii.endress.com](mailto:info@ii.endress.com)

**Endress+Hauser**   
People for Process Automation