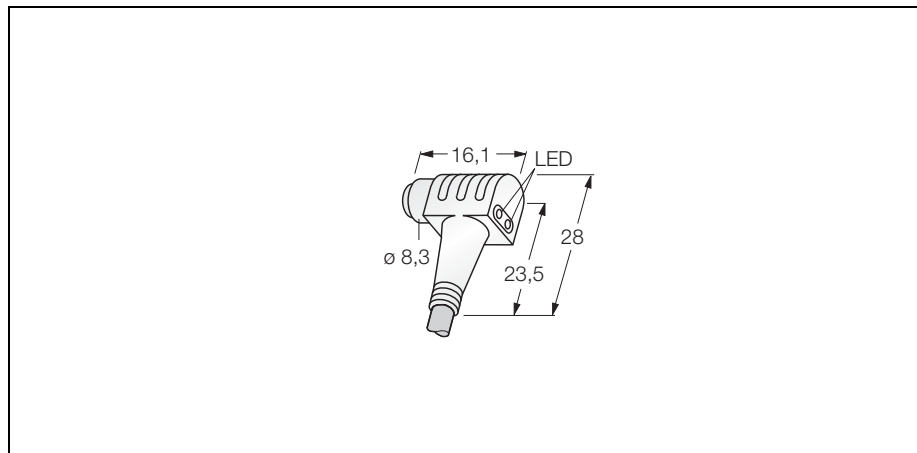


**M8 x 1 / Ø 8mm round connector
female connector Ø 8mm with LED
WKP4P2-5/S77/S366**



- **robust and pre-assembled round connector**
- **plastic moulding**
- **Degree of protection IP67**
- **also available with different cable lengths and of different materials**
- **compact version for space limited industrial applications**
- **PUR cable for demanding applications**
- **flexible design for trailing applications**
- **PVC and halogen-free**

Wiring diagram



Type	WKP4P2-5/S77/S366
Ident-No.	8023467
Connector	female connector, Ø 8 mm, angled
Polarity	4-pole
Contact carriers	plastic, PA 6 GF, black
Contacts	metal, CuZn, gold-plated
Grip	plastic, TPU, transparent
Degree of protection	IP67, only when plugged in
Switching function	pnp
Operating voltage	LED green
Display switch state	LED yellow
Mechanical lifespan	min. 100 Contact durability
Pollution degree	3
Cable	S366, Lif9YH-11YH, halogen-free
Cable diameter	Ø 4.7 mm
Cable length	5 m
Cable jacket	PUR, GY
Core insulation material	PP
Core insulation colours	BN, WH, BU, BK
Core cross-section	4 x 0.34 mm ²
Litz wire arrangement	34 x 0.1 mm
Bending radius (moving state)	minimum 10 x Cable diameter
Rated voltage	10 ... 30 V
Insulation resistance	≥ 10 ⁹ Ω
Ampacity	4 A
Forward resistance	≤ 5 mΩ
Ambient temperature Connector	-30 ... + 90 °C
Cable ambient temperature	-40 ... + 90 °C

Cable quality S366

Flexible PVC and halogen-free control cable with PUR jacket and polypropylene conductor insulation. The temperature resistance ranges from 40°C up to +90°C. Oil resistance and flame retardance according to VDE 0472 are fulfilled. At a bending radius of 10 x cable diameter the cable can be used in trailing applications. This cable is suited for flexible use in robot technology, tooling machines and in machining applications.

