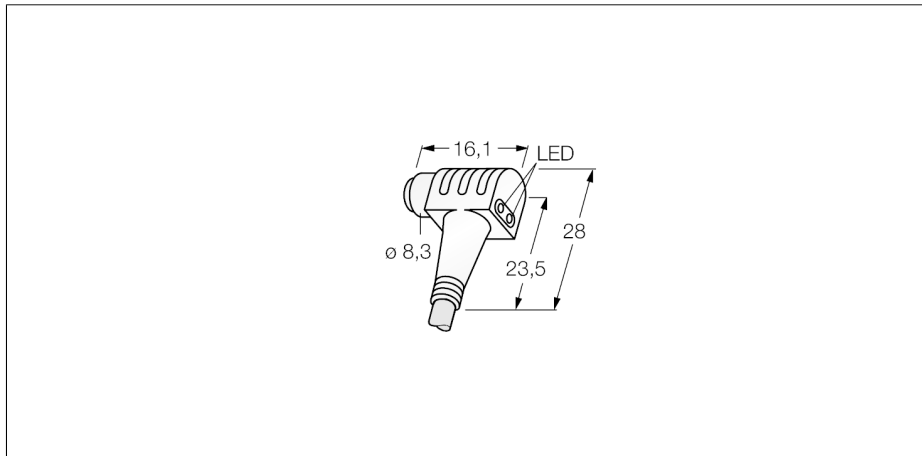


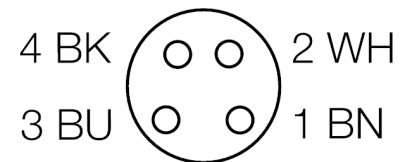
M8 x 1 / Ø 8mm round connector
female connector Ø 8mm with LED
WKP4P2-5/S77/S366



- **robust and pre-assembled round connector**
- **plastic moulding**
- **Degree of protection IP67**
- **also available with different cable lengths and of different materials**
- **compact version for space limited industrial applications**
- **PUR cable for demanding applications**
- **flexible design for trailing applications**
- **PVC and halogen-free**

Wiring diagram

Type	WKP4P2-5/S77/S366
Ident-No.	8023467
Connector	female connector, Ø 8 mm, angled
Polarity	4-pole
Contacts	metal, CuZn, gold-plated
Contact carriers	plastic, PA GF, black
Grip	plastic, TPU, transparent
Switching function	PNP
Degree of protection	IP67, only in plugged state
Screw-in thread	M8 x 1
Operating voltage	LED green
Display switch state	LED yellow
Mechanical lifespan	min. 100 contact durability
Pollution degree	3
Cable	S366, Lif9YH-11YH
Cable diameter	Ø 4.7 mm
Cable length	5 m
Cable jacket	PUR, GY
Core insulation material	PP
Core insulation colours	BN, WH, BU, BK
Core cross-section	4x0.34 mm ²
Litz wire arrangement	34x0.1 mm
Bending radius (moving state)	min. 10 x cable diameter
Rated voltage	10...30 V
Insulation resistance	≥ 10 ⁸ Ω
Ampacity	4 A
Forward resistance	≤ 5 mΩ
Ambient temperature Connector	-30... +90 °C
Cable ambient temperature	-40... +90 °C



Cable quality S366

Flexible PVC and halogen-free control cable with PUR jacket and polypropylene conductor insulation. The temperature resistance ranges from 40°C up to +90°C. Oil resistance and flame retardance according to VDE 0472 are fulfilled. At a bending radius of 10 x cable diameter the cable can be used in trailing applications. This cable is suited for flexible use in robot technology, tooling machines and in machining applications.

