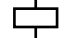


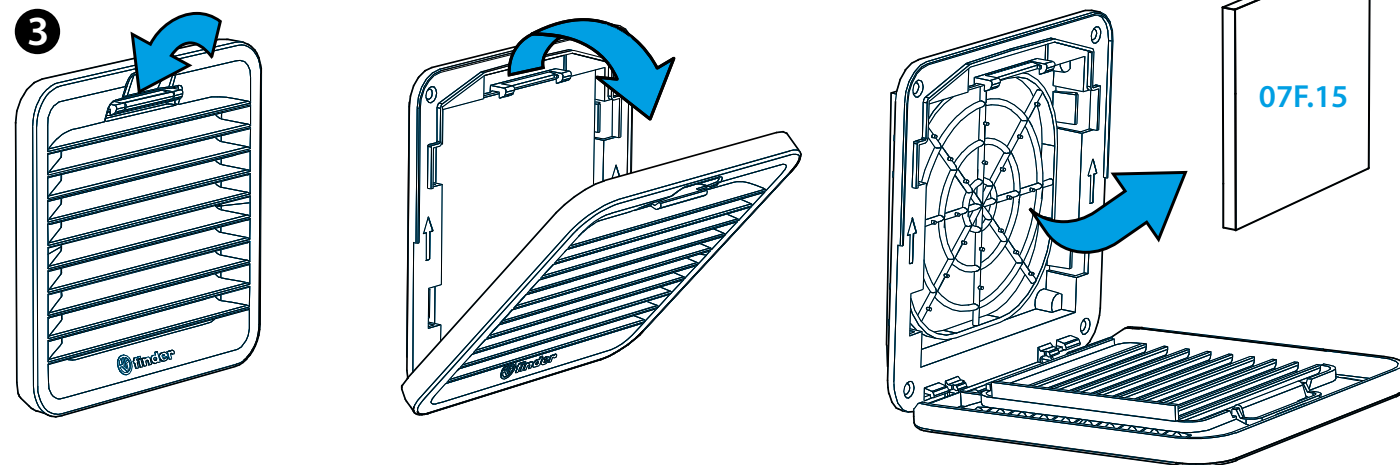
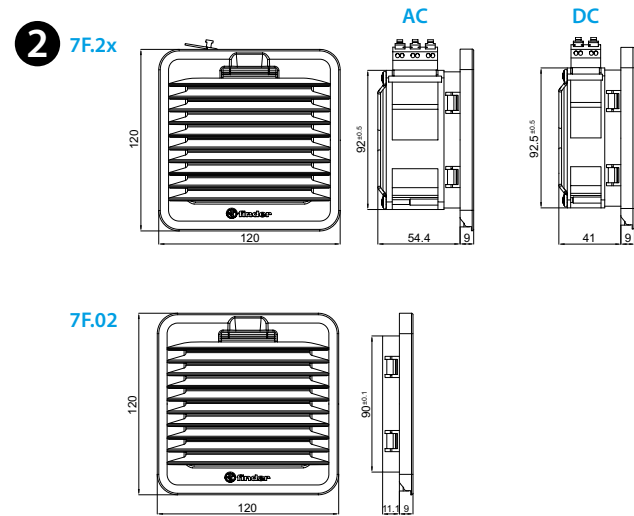
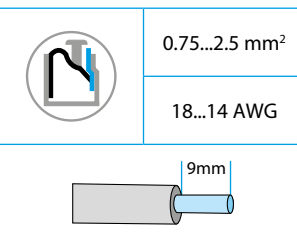
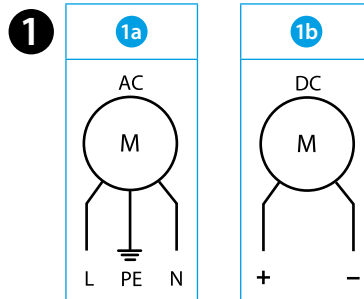


7F.2x.x.xxx.1020 7F.2x.x.xxx.1020.0	
	U <sub>N</sub> 110...120 V AC (50/60 Hz) (8.120) U <sub>N</sub> 230...240 V AC (50/60 Hz) (8.230) U <sub>N</sub> 24 V DC (9.024)
	P <sub>N</sub> AC (50/60 Hz) 27/21 W P <sub>N</sub> DC 3.6 W
OUT	m <sup>3</sup> /h (50/60Hz) 24/29
	m <sup>3</sup> /h (50/60Hz) + 7F.02 14/16.5
	dB (A) 27 (AC) 37.5 (DC)
	(-15...+55)°C
IP54	
 <p>For Use on a Flat Surface of a Type 1, 12 Enclosure Use copper conductor only, 90°C min Conductor size 14-18 AWG Surrounding air temperature 55°C</p>	



7F.20 FILTER FAN  
7F.21 FILTER FAN WITH REVERSE FLOW FILTER

- 1a** WIRING DIAGRAM AC  
**1b** WIRING DIAGRAM DC
- 2** OUTLINE DRAWING (mm)  
7F.2x Fan  
7F.02 Grid
- 3** GRID OPENING - FILTER REPLACEMENT  
Filter mat 07F.15  
Filter mat class  
EU3 according to DIN 24185, filtering degree (80...90)%  
Filter material  
Synthetic fibre with progressive construction, temperature resistant to 100°C, self extinguishing, Class F1 (DIN 53438)
- 4** MOUNTING (example)  
Installation with clips only is optimized for 1.5 mm thick panels.  
For panels 1 to 2.5 mm thick it is recommended to fix using screws (supplied).  
Tightening torque 0.3 Nm  
Mounting sequence:  
1 Remove terminal block **4a**  
2 Insert fan into panel opening **4b**  
3 Replace terminal block **4a**

**NOTE**

7F.2x.x.xxx.1020	Fan	Grey Color	RAL 7035
7F.2x.x.xxx.1020.0	Fan	Black Color	RAL 9004
7F.02.0.000.1000	Grid	Grey Color	RAL 7035
7F.02.0.000.1000.0	Grid	Black Color	RAL 9004