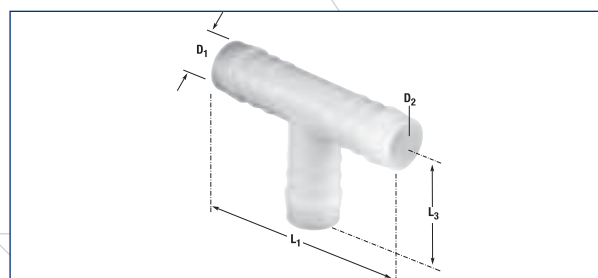
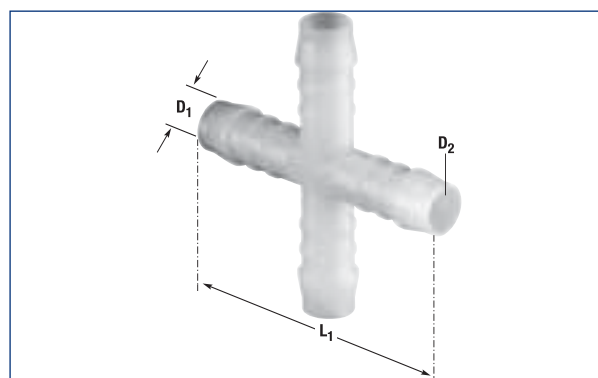


TS Equal T push-on connectors



Description	Packaging PU	D ₁	D ₂	L ₁ ~	L ₃ ~	Material
TS 3	100	3	2.5	25	12.5	Acetalcopolymerisat (POM)
TS 4	100	4	2.7	35	19.5	Acetalcopolymerisat (POM)
TS 5	100	5	3	42	22	Acetalcopolymerisat (POM)
TS 6	100	6	4	50	26	Acetalcopolymerisat (POM)
TS 7	100	7	5	50	26	Acetalcopolymerisat (POM)
TS 8	100	8	5.6	58	30	Acetalcopolymerisat (POM)
TS 10	100	10	7	62.5	33.5	Acetalcopolymerisat (POM)
TS 12	100	12	8.6	69	36	Acetalcopolymerisat (POM)
TS 13	100	13	8.6	68	36	Acetalcopolymerisat (POM)
TS 14	50	14	10	77.5	41.5	Acetalcopolymerisat (POM)
TS 15	50	15	11	79.5	43.5	Acetalcopolymerisat (POM)
TS 16	50	16	12	81	45	Acetalcopolymerisat (POM)
TS 19	25	19	15	85	45	Acetalcopolymerisat (POM)
TS 25	25	25	21	105	52.5	Acetalcopolymerisat (POM)

All dimensions in mm. Please refer to the table on Page 163 for further information.



KS Cross push-on connectors

Description	Packaging PU	D ₁	D ₂	L ₁ ~	Material
KS 4	100	4	2.9	39	Acetalcopolymerisat (POM)
KS 5	100	5	3	48	Acetalcopolymerisat (POM)
KS 6	100	6	4	48	Acetalcopolymerisat (POM)
KS 12	50	12	8.6	69	Acetalcopolymerisat (POM)

All dimensions in mm. Please refer to the table on Page 163 for further information.