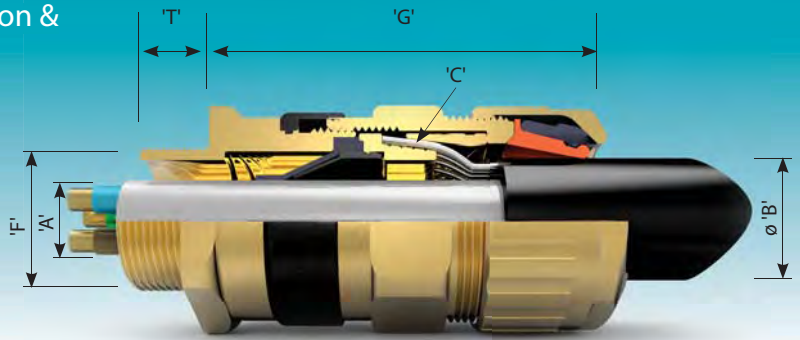


# Group II Cable Glands

Flameproof, Increased Safety, Dust Protection & Restricted Breathing  
Class - Zones - Divisions  
Certified ATEX / IECEx / c CSA us

## Application

- Outdoor or indoor use.
- For use with single wire armour 'W', wire braid 'X', steel tape armour 'Z', elastomer and plastic insulated cables.
- For particular use with Cables that exhibit 'Cold Flow' characteristics.
- See technical section for installation rules and regulations.



**CABLE GLAND SELECTION TABLE**

Size Ref.	Entry Thread Size 'F'		Cable Acceptance Details						'G'	Hexagon Dimensions	
	Metric	NPT * Standard or Option	Inner Sheath 'A'		Outer Sheath 'B'		Armour / Braid 'C'			Across Flats	Across Corners
			Min.	Max.	Min.	Max.	Orientation 1	Orientation 2			
Os	M20 <sup>2</sup>	½"	3.5	8.1	5.5	12.0	0.8 / 1.25	0.0 / 0.8	61.6	24.0	26.5
O	M20 <sup>2</sup>	½"	6.5	11.4	9.5	16.0	0.8 / 1.25	0.0 / 0.8	61.6	24.0	26.5
A	M20	¾" or ½"	8.4	14.3	12.5	20.5	0.8 / 1.25	0.0 / 0.8	63.0	30.0	32.5
B	M25	1" or ¾"	11.1	19.7	16.9	26.0	1.25 / 1.6	0.0 / 0.7	69.9	36.0	39.5
C	M32	1¼" or 1"	17.6	26.5	22.0	33.0	1.6 / 2.0	0.0 / 0.7	73.2	46.0	50.5
C2	M40	1½" or 1¼"	23.1	32.5	28.0	41.0	1.6 / 2.0	0.0 / 0.7	77.9	55.0	60.6
D	M50	2" or 1½"	28.9	44.4 / 42.3 <sup>1</sup>	36.0	52.6	1.8 / 2.5	0.0 / 1.0	93.5	65.0	70.8
E	M63	2½" or 2"	39.9	56.3 / 54.3 <sup>1</sup>	46.0	65.3	1.8 / 2.5	0.0 / 1.0	94.0	80.0	88.0
F	M75	3" or 2½"	50.5	68.2 / 65.3 <sup>1</sup>	57.0	78.0	1.8 / 2.5	0.0 / 1.0	103.0	95.0	104.0
G	M80	3½"	67.0	73.0	75.0	89.5	2.0 / 3.5	0.0 / 1.0	90.6	106.4	115.0
H	M90	3½"	67.0	77.6	75.0	89.5	2.0 / 3.5	0.0 / 1.0	90.6	115.0	130.0
J	M100	4"	75.0	91.6	88.0	104.5	2.5 / 4.0	0.0 / 1.0	90.6	127.0	142.0

<sup>1</sup>'T' — Os - F size metric entry threads are 1.5mm pitch as standard, 15mm length of thread. For G size glands and above, a 2mm pitch is supplied as standard, 20mm length of thread (1.5mm pitch with 15mm length of thread can be supplied) please specify when ordering.

G size and above are available in the 501/453/RAC design style.

All dimensions in millimetres (except \* where dimensions are in inches).

<sup>1</sup>Smaller value is applicable when selecting reduced NPT entry option.

<sup>2</sup>Sizes Os and O are available with an M16 thread size. For O size with M16 thread, the maximum cable inner sheath diameter is 10.9mm

## Technical Data

### ATEX/IECEx

- Flameproof Exd IIC Gb, Increased Safety Exe IIC Gb, Dust Extb IIIC Db and ExnR IIC Gc (Ex) II 2 / 3GD.
- Certificate No's: For sizes Os to F: Baseefa06ATEX0057X and IECEx BAS 06.0014X. For sizes G to J: Baseefa06ATEX0056X and IECEx BAS 06.0013X.
- Suitable for use in Zone 1, Zone 2, Zone 21, Zone 22.
- Construction and Test Standards: IEC/EN 60079-0, IEC/EN 60079-1, IEC/EN 60079-7, IEC/EN 60079-15 and IEC/EN 60079-31.
- Ingress Protection: IP66, IP67 and IP 68 (30 metres for 7 days) to IEC/EN 60529 and NEMA 4X.
- Deluge Protection to DTS01.
- Operating Temperature Range: -60°C to +80°C.
- Assembly Instruction Sheet: AI 300 (Sizes Os to F) and AI 303 (Sizes G to J).

### c CSA us

- Flameproof AExd IIC Gb, Increased Safety AExe IIC Gb and Dust AExtD Zone 21.
- Explosion-proof Class 1 Division 2 Groups ABCD, Class II Division 2 Groups EFG, Class III.
- Certificate No's: CSA1015065 for Marine Shipboard Cable.
- Construction and Test Standards: UL 60079-0, UL 60079-1, UL 60079-7, ISA 60079-31, CSA 22.2 No: 60079-0, CSA 22.2 No: 60079-1, CSA 22.2 No: 60079-7, CSA 22.2 No: 60079-31, UL 2225

## Features

- Provides armour clamping using one clamping arrangement for all armour / braid types.
- Provides a diaphragm seal on inner sheath of cable which will not damage cables that exhibit 'Cold Flow' characteristics.
- Provides an outer deluge seal to prevent moisture ingress to the cable armour / braid.
- Provides a cable retention and low smoke and fume, zero halogen seal onto the cables outer sheath.
- Manufactured in Brass (standard), Nickel Plated Brass, 316 Stainless Steel or Aluminium.
- Brass NPT entries are nickel plated as standard.

### Alternative Reversible Armour Clamping Rings (RAC)

Size Ref.	SELECTION TABLE	
	Steel Wire Armour / Braid / Tape	
	Orientation 1	Orientation 2
B	0.9 - 1.25	0.5 - 0.9
C	1.2 - 1.6	0.6 - 1.2
C2	1.2 - 1.6	0.6 - 1.2
D	1.45 - 1.8	1.0 - 1.45
E	1.45 - 1.8	1.0 - 1.45
F	1.45 - 1.8	1.0 - 1.45

## Ordering Information

Format for ordering is as follows: Alternative Clamping Ring (AR), add suffix AR to ordering information.

Cable Gland Type	Size	Thread	Material	(Optional)
501/453/UNIV	C	M32	Brass	AR
501/453/UNIV	C	1 ¼" NPT	Brass	AR