

TECHNICAL DATA SHEET

FLOW FITTINGS

LZY032, LZY034, LZY038, LZY039, C74451A1789A3, LZY040, LZY043



Flow fittings for the reception of electrochemical sensors

- Flow fittings and welding connector for measurement in the bypass
- Adaptable to every process by:
Material selection: stainless steel, PP, PVDF
Select electrode holder for all conventional sensor threads
- Suitable to hold sensors directly with DN 50 cone flange



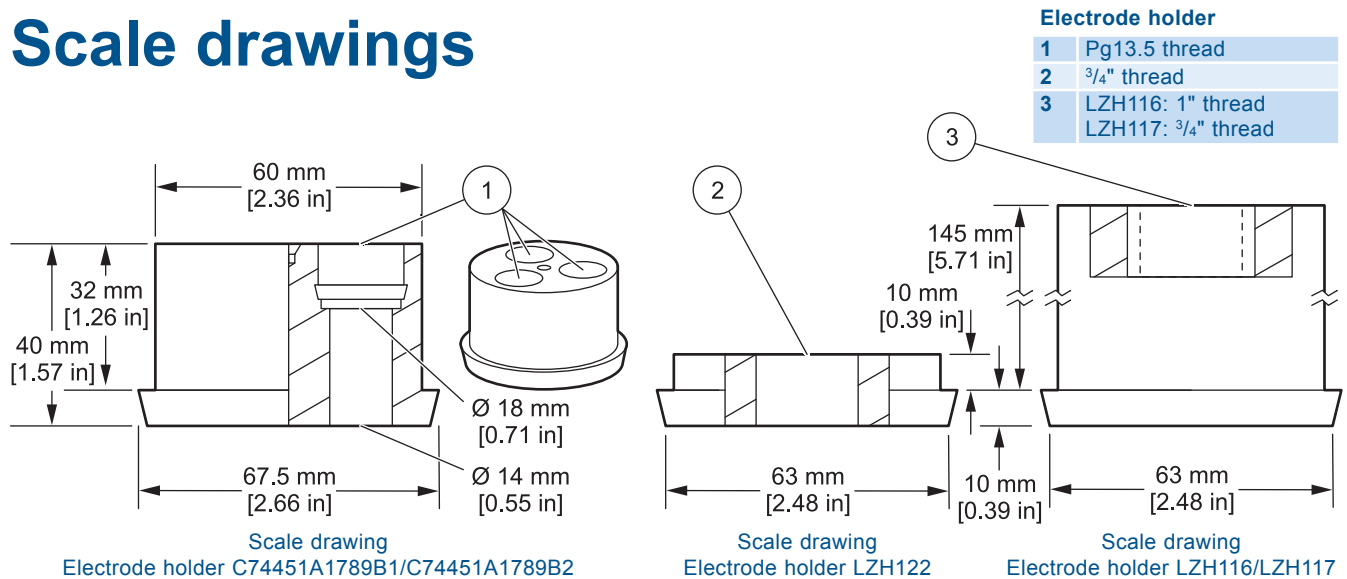
UNITED FOR WATER QUALITY

Technical data

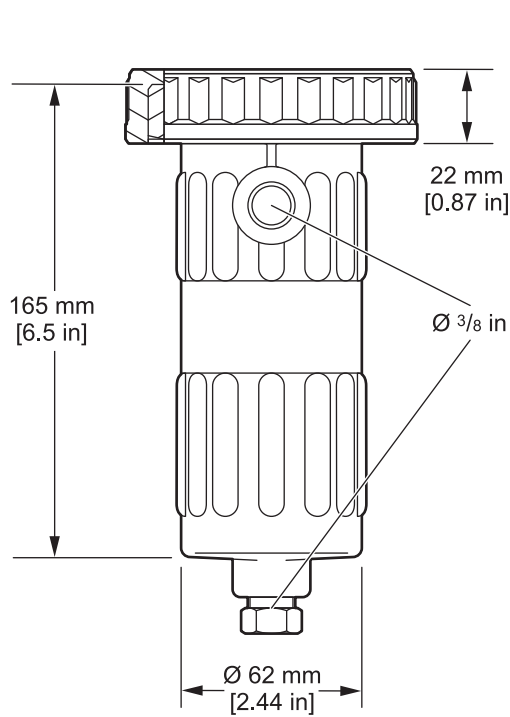
	Flow fittings						Welding connector
Model/order no.	LZY032	LZY034	LZY038	LZY039	C74451A1789A3	LZY040	LZY043
Process connection	3/8" NPT	G 3/4"	G 3/4"		3/8" NPT	G 3/4", laterally offset	Rd 78 x 1/6" DIN405
Material	Stainless steel 1.4401		Polypropylene PP	Polyvinyl-fluoride PVDF	Polypropylene PP		Stainless steel 1.4301
Gasket	Made of VITON						
Tolerable operating temperature	160 °C		90 °C	130 °C	90 °C	90 °C	160 °C
Tolerable operating pressure pmax at Tmax	16 bar at 160 °C 25 bar at 20 °C		6 bar at 20 °C 0.2 bar at 90 °C	6 bar at 20 °C 1 bar at 130 °C	1.5 bar at 20 °C 0.2 bar at 90 °C	6 bar at 20 °C 0.2 bar at 90 °C	16 bar at 160 °C
Dimensions	Refer to scale drawings						
Weight	Approximately 1.5 kg		Approximately 0.25 kg		Approx. 1.5 kg	Approximately 0.25 kg	
Flow	Recommended 0.1–0.5 l/min (10 l/min maximum)						

	Electrode holder					
Model/order no.	C74451A1789B1	C74451A1789B2	C74451A1789B3	LZH116	LZH117	LZH122
Process connection	DN 50 cone flange for connection to flow fitting or welding connector					
Electrode type	For 3 electrodes with 12 mm shaft diameter			For 1 digital pH/D electrode, universal form	For 1 pH/ORP electrode, type 8350 and 8351	For 1 inductive conductivity electrode, type 372x
Electrode shaft length	120 mm			232 mm	142–150 mm	103 mm
Electrode thread	Pg13.5 thread			1" NPT thread	3/4" NPT thread	3/4" NPT thread
Material	Polypropylene PP	Stainless steel 1.4401	Polyvinylfluoride PVDF	Polypropylene PP		
Tolerable operating temperature	90 °C	140 °C	100 °C	80 °C		
Tolerable operating pressure pmax at Tmax	6 bar at 20 °C 4 bar at 90 °C	10 bar at 140 °C	6 bar at 20 °C 4 bar at 90 °C	6 bar at 20 °C no pressure at 80 °C		
Dimensions	Refer to scale drawings					
Weight	Approx. 0.1 kg	Approx. 0.5 kg	Approx. 0.1 kg	Approximately 0.1 kg		

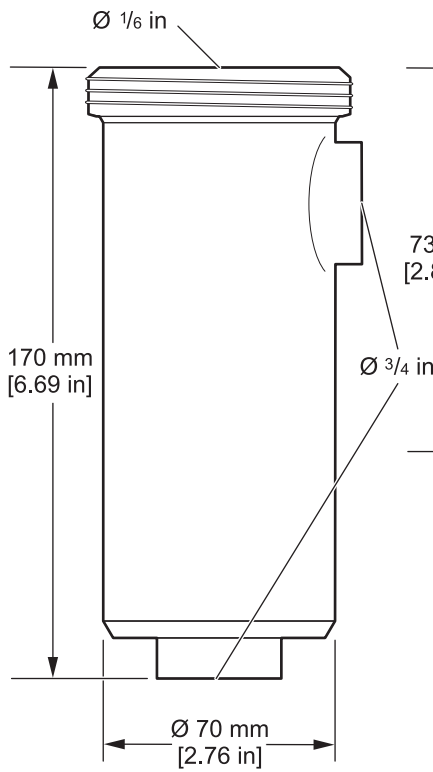
Scale drawings



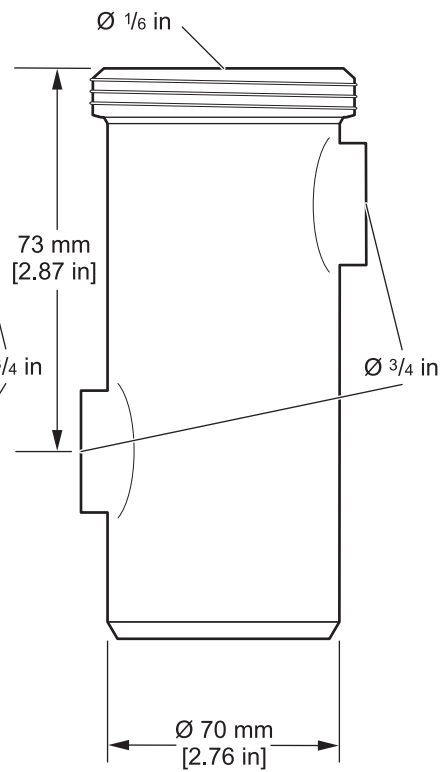
Scale drawings



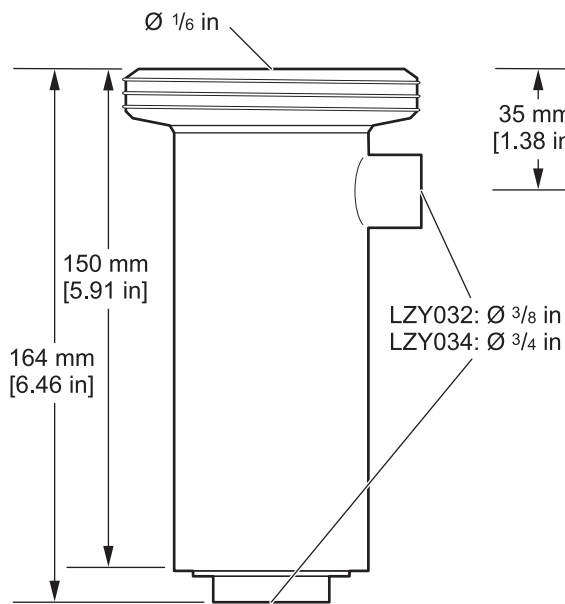
Scale drawing
Flow fitting C74451A1789A3



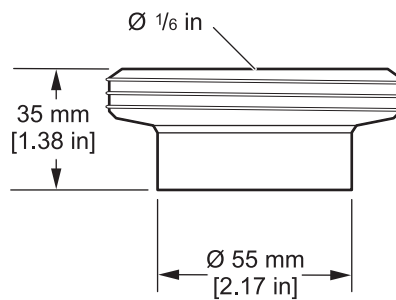
Scale drawing
Flow fitting LZY038/LZY039



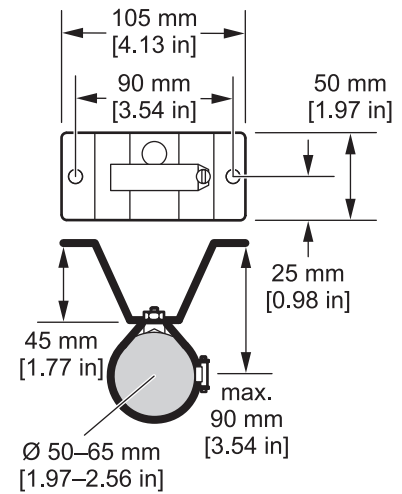
Scale drawing
Flow fitting LZY040



Scale drawing
Flow fitting LZY032/LZY034



Scale drawing
Welding connector LZY043



Scale drawing
Mounting part C74451A1789D1

Order information

Flow fittings/welding connector

Designation	Order number
Stainless steel 1.4401 flow fitting with 1 gasket (Viton), process connection $\frac{3}{8}$ " NPT ¹	LZY032
Stainless steel 1.4401 flow fitting with 1 gasket (Viton), process connection G $\frac{3}{4}$ " ¹	LZY034
Polypropylene (PP) flow fitting with 1 gasket (Viton), process connection G $\frac{3}{4}$ " ¹	LZY038
Polyvinylfluoride (PVDF) flow fitting with 1 gasket (Viton), process connection G $\frac{3}{4}$ " ¹	LZY039
Polypropylene (PP) flow fitting with 1 gasket (Viton), laterally offset process connection G $\frac{3}{4}$ " ¹	LZY040
Polypropylene (PP) flow fitting with PP union nut and 1 gasket (Viton), process connection $\frac{3}{8}$ –18 NPT ²	C74451A1789A3
Stainless steel 1.4301 welding connector with 1 gasket (Viton)	LZY043

¹ Electrode holder and union nut must be ordered separately.

² Electrode holder and union nut must be ordered separately.

Accessories

Designation	Order number
Polypropylene (PP) electrode holder ³	C74451A1789B1
Stainless steel 1.4404 electrode holder ³	C74451A1789B2
Polyvinylfluoride (PVDF) electrode holder ³	C74451A1789B3
Polypropylene (PP) electrode holder for digital pH/D, universal form	LZH116
Polypropylene (PP) electrode holder for pH/ORP electrodes, type 8350 and 8351	LZH117
Polypropylene (PP) electrode holder for inductive conductivity electrodes, type 372x	LZH122
Stainless steel 1.4301 DN50 union nut, Rd 78 x 1/6" DIN405	LZY041
Wall mount component (angle bracket and hose clamp) for fittings with 50–65 mm diameter	C74451A1789D1
Stainless steel 1.4301 DN50 locking piece	LZY543
Standard Viton gaskets (five-piece set) for DN50 flow fittings and welding connector	LZY042
Stainless steel 1.4301 hook wrench for union nut LZY041	LZY252
Set of screws ⁴	C74451A1789D2

³ For installation of three electrodes with Pg13.5 thread, including stainless steel 1.4301 union nut and set of screws

⁴ Set of screws comprises three pressure screws, shims, dummy plugs and gaskets.



Deutscher Nachhaltigkeitspreis

Top 3 Deutschlands nachhaltigste Produkte und Dienstleistungen 2009

HACH LANGE GMBH
Willstätterstraße 11
D-40549 Düsseldorf
Tel. +49 (0)2 11 52 88-320
Fax +49 (0)2 11 52 88-210
info@hach-lange.de
www.hach-lange.de

Bestellungen: 0800 208 15 97



UNITED FOR WATER QUALITY