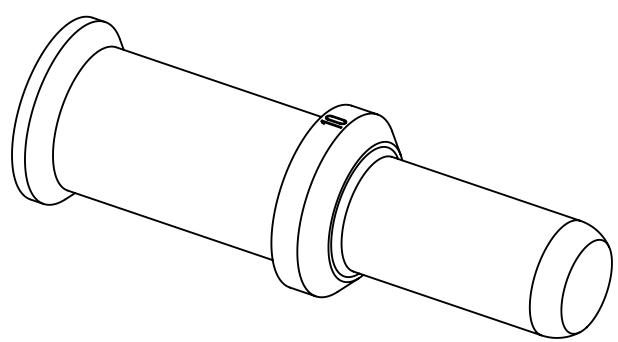
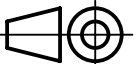



assembly notes see catalog  
 crimp zone acc. to DIN EN 46235; indicator 10  
 for stranded fine wire acc. to VDE 0295 class 5 / IEC 60228 class 5  
 wire gauge: 25mm<sup>2</sup>  
 stripping length: 19mm



 All Dimensions in mm Original Size DIN A4	Scale	Free size tol.			Ref.
	2:1				Sub.
 All rights reserved Department EL PD - DE	Created by	Inspected by	Standardisation	Date	State
	SCHULZI	SCHNIEDER	SCHMIDTM	2015-01-27	Final Release
HARTING Electric GmbH & Co. KG D-32339 Espelkamp	Title Han TC100 male contact 25mm <sup>2</sup>				Doc-Key / ECM-Nr. 100150731/UGD/009/B 500000082399
	Type	Number			Rev.
TB	09 11 000 6125			B	1/1