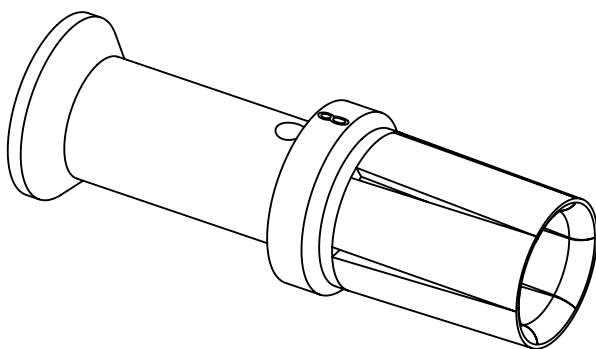



assembly notes see catalog  
 crimp zone acc. to DIN EN 46235 indicator 8  
 for stranded fine wire acc. to VDE 0295 class 5/ IEC 60228 class 5  
 wire gauge: 16mm<sup>2</sup>  
 stripping length: 19mm



	All rights reserved Department EL PD - DE	All Dimensions in mm Original Size DIN A4		Scale 2:1	Free size tol.	Ref.
		HARTING Electric GmbH & Co. KG D-32339 Espelkamp	Created by HARLASSK	Inspected by GERB	Standardisation TIEMANNA	Date 2015-03-25
Title Han TC100 female contact 16mm <sup>2</sup>						Doc-Key / ECM-Nr. 100210441/UGD/003/D 500000086245
Type TB				Number 09 11 000 6216		Rev. D
						Page 1/1