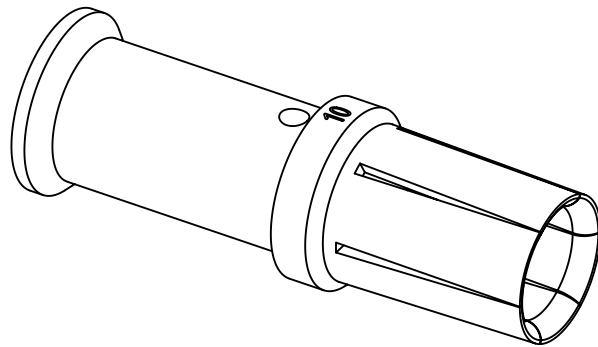


assembly notes see catalog
 crimp zone acc. to DIN EN 46235 indicator 10
 for stranded fine wire acc. to VDE 0295 class 5/ IEC 60228 class 5
 wire gauge: 25mm²
 stripping length: 19mm



	All Dimensions in mm Original Size DIN A4	Scale	Free size tol.		Ref.
		2:1			Sub.
All rights reserved Department EL PD - DE	Created by SPRENB	Inspected by	Standardisation	Date	State
		GERB	RUETERA	2018-04-18	Final Release
HARTING Electric GmbH & Co. KG D-32339 Espelkamp	Title Han TC100 Buchsenkontakt 25sqmm			Doc-Key / ECM-Nr. 100150729/UGD/007/D 500000134015	
	Type	Number		Rev.	Page
TB	09 11 000 6225		D	1/1	