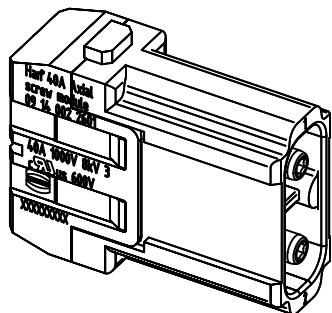
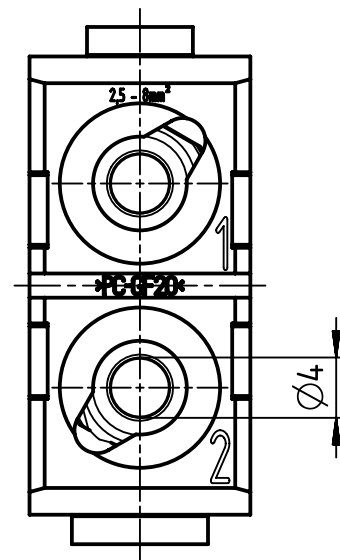
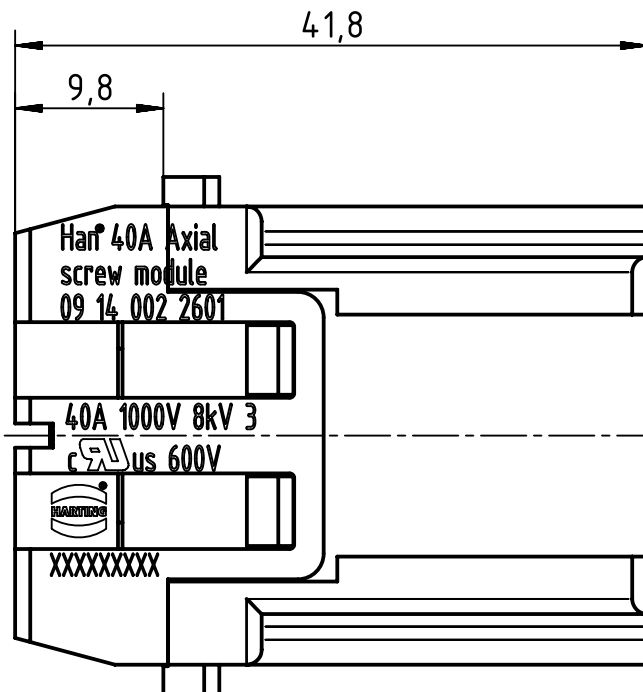
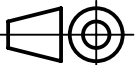



SW2



for stranded wire 2,5-8mm<sup>2</sup>, AWG14-8, fine wire

 All Dimensions in mm Original Size DIN A4	Scale	Free size tol.		Ref.	
	2:1			Sub.	
 All rights reserved Department EL PD - DE	Created by	Inspected by	Standardisation	Date	State
	RULLKOETTER	SCHNIEDER	TIEMANNA	2014-06-11	Final Release
Title Han 40A axial module, male 2,5-8mm <sup>2</sup>				Doc-Key / ECM-Nr. 100125618/UGD/010/B 500000074632	
HARTING Electric GmbH & Co. KG D-32339 Espelkamp		Type	Number	Rev.	Page
		TB	09 14 002 2601	B	1/1