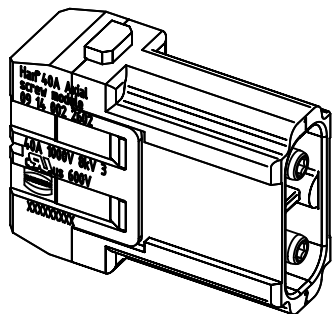




SW2

for stranded wire 6-10mm², AWG10-8, fine wire



 All Dimensions in mm Original Size DIN A4	Scale	Free size tol.			Ref.
	2:1				Sub.
 All rights reserved Department EL PD - DE	Created by	Inspected by	Standardisation	Date	State
	RULLKOETTER	SCHNIEDER	TIEMANNA	2014-06-11	Final Release
HARTING Electric GmbH & Co. KG D-32339 Espelkamp	Title				Doc-Key / ECM-Nr.
	Han Modular 2 Module male				100169975/UGD/006/A 500000074632
Type	Number	Rev.			Page
TB	09 14 002 2602	A			1/1