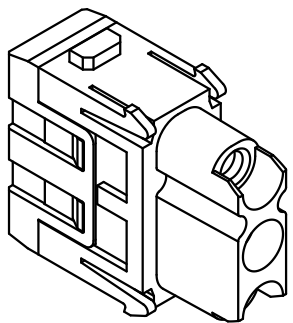
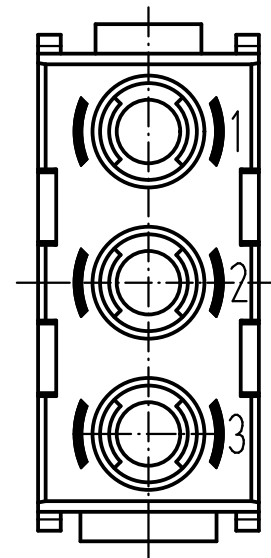
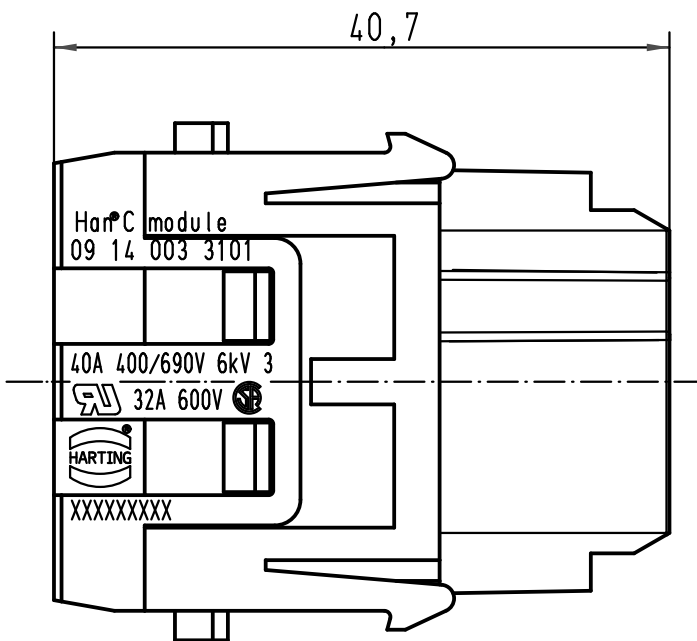
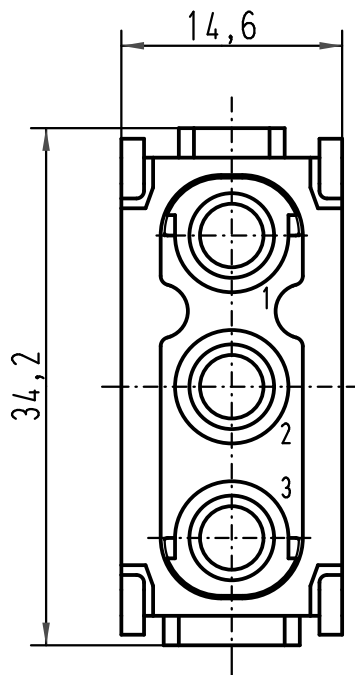


A

B

C

D



Kabeldurchmesser bis 5mm  
outer diameter of wire up to 5mm

|   |      |                   |   |               |   |   |                          |
|---|------|-------------------|---|---------------|---|---|--------------------------|
| All Dimensions in mm<br>Original Size DIN A 4 |      | Techn. Character. |   |               | Nicht tolerierte Maße/ Free size tolerances |   |                          |
|   |      |                   | Dat.  | Name          | Maßstab/ Scale<br><br><b>2:1</b>            | Han C module<br>Buchseneinsatz/ female insert |                          |
|   |      |                   | Detail.   | 10.10.08/Rull |   |   |                          |
|   |      |                   | Insp.   | Be            |   |   |                          |
|   |      |                   | Stand.  |               |   |   |                          |
| A   |      |                   | HARTING Electric GmbH & Co. KG<br>D-32339 Espelkamp |               |   |   | <b>TB 09 14 003 3101</b> |
| Mod.  | Dat. | Name              |   |               |   |   |                          |
|   |      |                   |   |               |   | Blatt/ page                                   |                          |