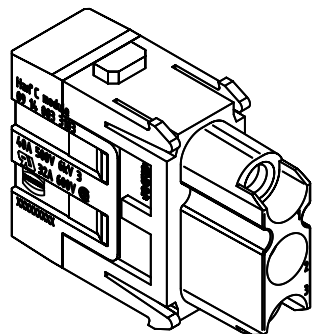
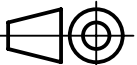



Wire diameter over insulation $\leq 4,8\text{mm}$ stripping length 9,5mm
 $> 4,8\text{mm}$ stripping length 18mm

For wires with maximum wire diameter over insulation up to 7,5mm



 All Dimensions in mm Original Size DIN A4	Scale	Free size tol.			Ref.
	2:1				Sub.
 All rights reserved Department EL PD - DE	Created by	Inspected by	Standardisation	Date	State
	FINKEV	NICHTERLEIN	SCHMIDTM	2018-04-27	Final Release
HARTING Electric GmbH & Co. KG D-32339 Espelkamp	Title				Doc-Key / ECM-Nr.
	Han C module, crimp female (two part)				100610180/UGD/001/B 500000134562
Type		Number		Rev.	Page
TB		09 14 003 3103		B	1/1