

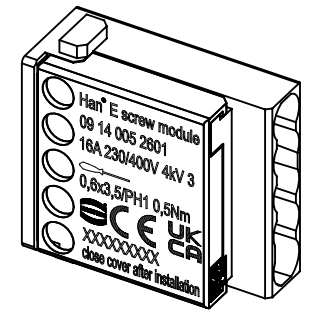
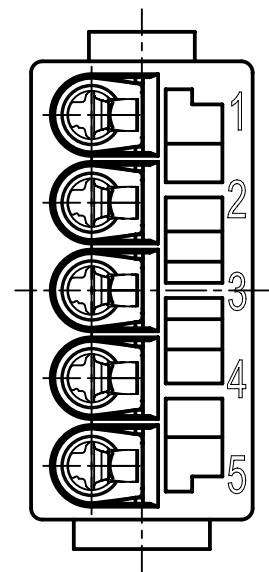
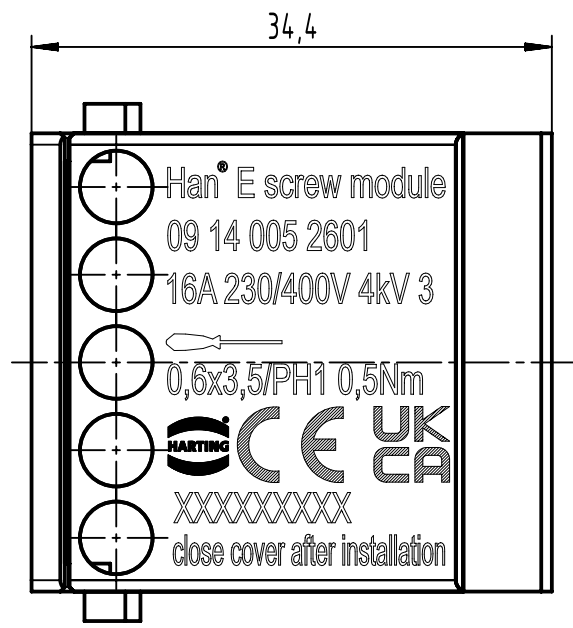
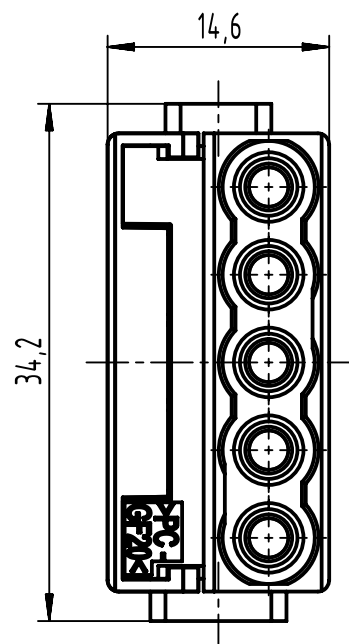
1 2 3 4 5 6


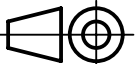

A

B

C

D



	All rights reserved		Created by HOLLERT		Inspected by SUNDERMEIER		Standardisation		Date 2023-01-31		State Final Release	
	Department EL PD		Title Han E Screw module-M		Doc-Key / ECM-Nr. 100230346/UGD/003/E 500000233988		Rev. E		Page 1/1			
 All Dimensions in mm Original Size DIN A4			Scale 2:1		Free size tol.		Ref.		Sub.			
			Type TB		Number 09 14 005 2601							