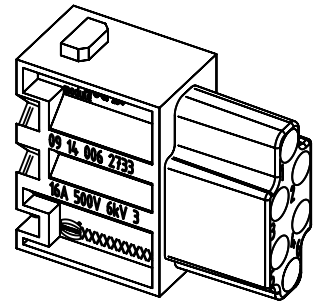
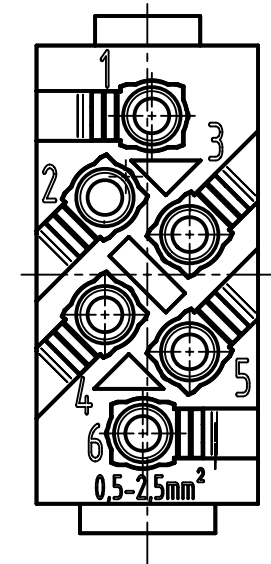
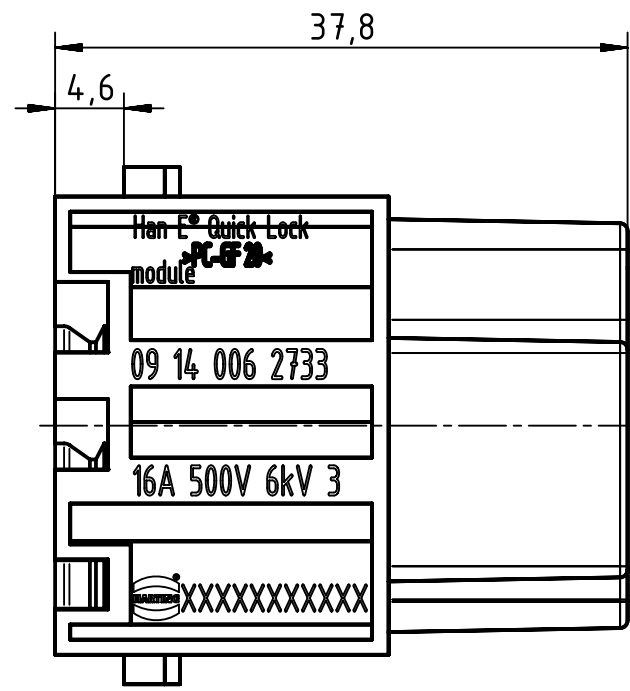
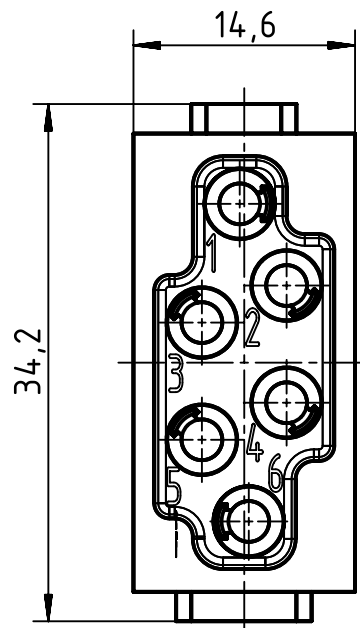


1 2 3 4 5 6

A
B
C
D



	All Dimensions in mm Original Size DIN A4	Scale 2:1		Free size tol.		Ref.	
						Sub.	
	All rights reserved Department EL PD - DE	Created by RULLKOETTER	Inspected by SCHNIEDER	Standardisation TIEMANNA	Date 2014-06-11	State Final Release	
		Title Han E Quick-Lock module, female					Doc-Key / ECM-Nr. 100214192/UGD/005/A 500000074632
HARTING Electric GmbH & Co. KG D-32339 Espelkamp		Type TB	Number 09 14 006 2733			Rev. A	Page 1/1