

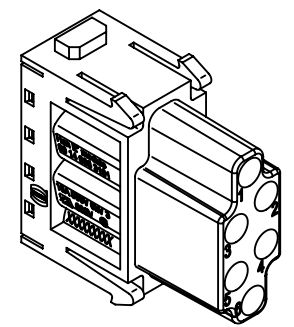
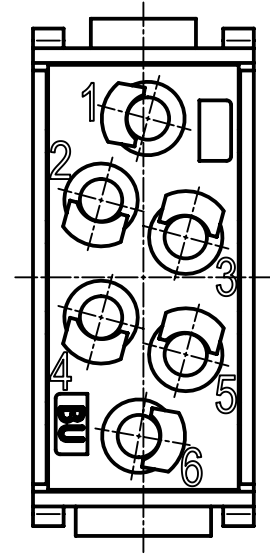
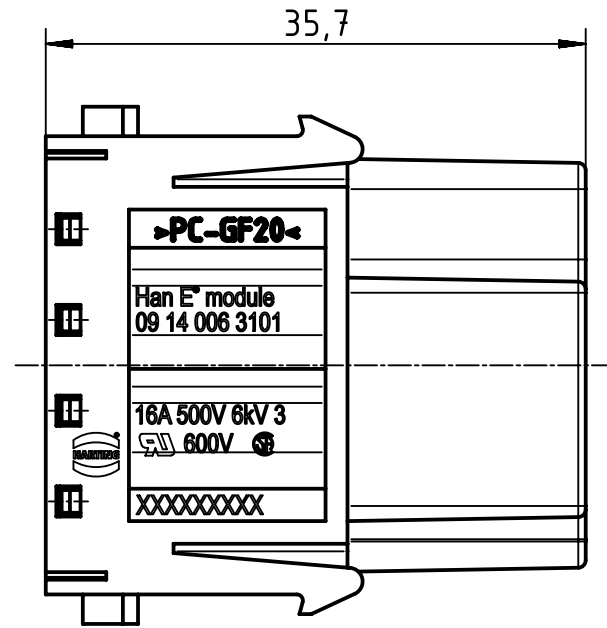
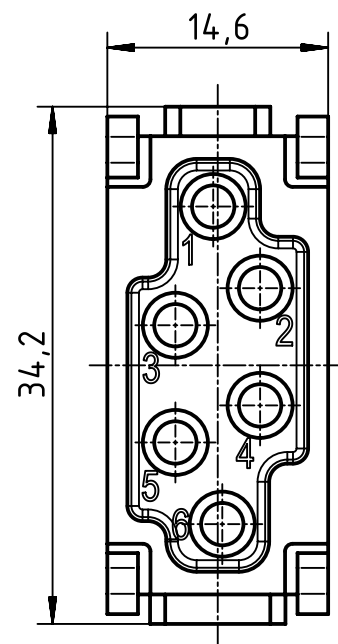
1 2 3 4 5 6

A

B

C

D



	All Dimensions in mm Original Size DIN A4		Scale 2:1	Free size tol.		Ref. Sub. TB 09 14 006 3101 v. 08.06.16			
		All rights reserved Department EL PD - DE		Created by QUADE	Inspected by SCHNIEDER	Standardisation RUETERA	Date 2016-11-23	State Final Release	
HARTING Electric GmbH & Co. KG D-32339 Espelkamp				Title Han 6 Mod bu-c 16A			Doc-Key / ECM-Nr. 100086577/UGD/010/C 500000111885		
				Type TB	Number 09 14 006 3101			Rev. C	Page 1/1