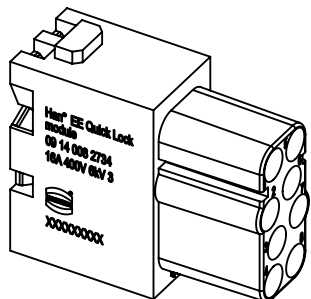
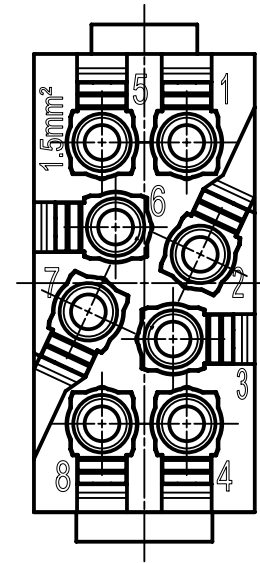
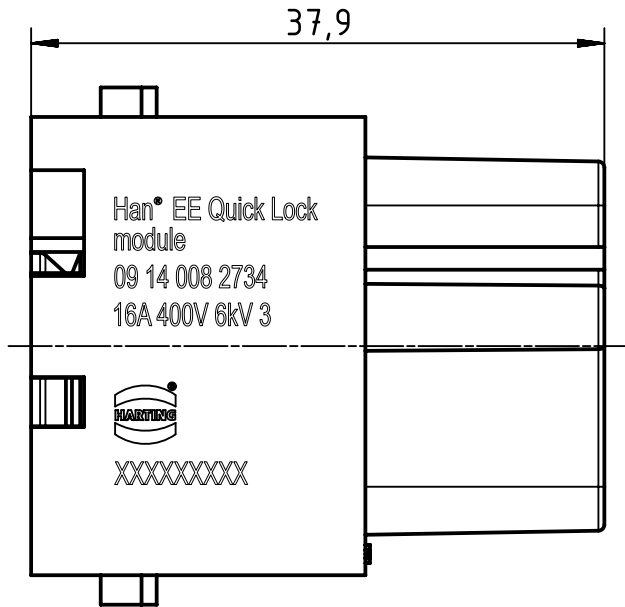
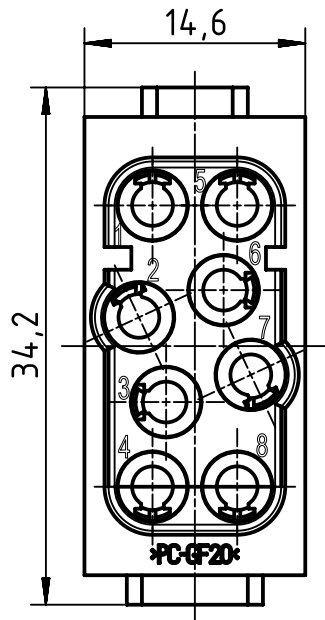


A

B

C

D



|   |  |  |  |                          |                            |                    |  |             |
|---|--|--|--|--------------------------|----------------------------|--------------------|--|-------------|
|   | All Dimensions in mm<br>Original Size DIN A4 |  | Scale<br>2:1   | Free size tol.           |                            | Ref.               |  |             |
|   |  |  |  |                          |                            | Sub.               |  |             |
|   | All rights reserved                          |  | Created by<br>SPRENB   | Inspected by<br>RIEPE    | Standardisation<br>RUETERA | Date<br>2020-01-17 | State<br>Final Release                                   |             |
|   | Department EL PD                             |  | Title<br>Han EE Quick-Lock module, female 1,5mm <sup>2</sup> |                          |                            |                    | Doc-Key / ECM-Nr.<br>100216017/UGD/002/B<br>500000164340 |             |
| HARTING Electric GmbH & Co. KG<br>D-32339 Espelkamp |  |  | Type<br>TB   | Number<br>09 14 008 2734 |                            |                    | Rev.<br>B  | Page<br>1/1 |