

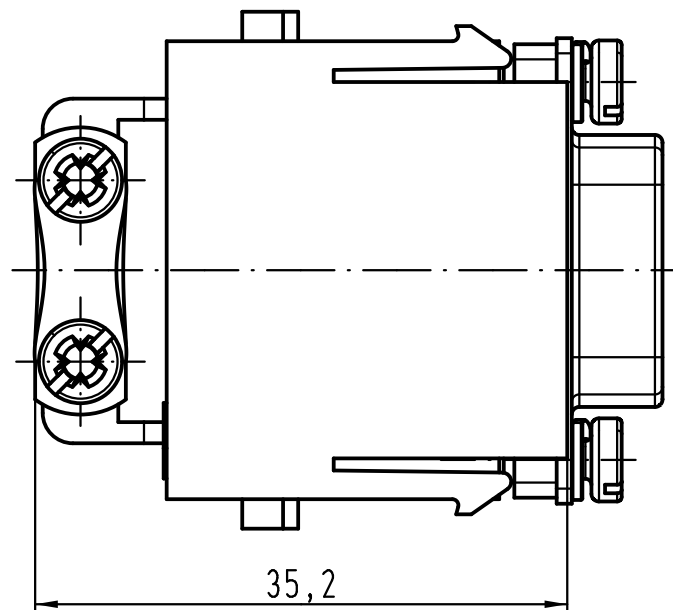
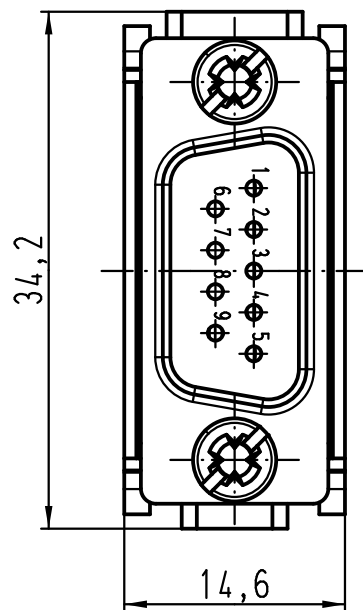
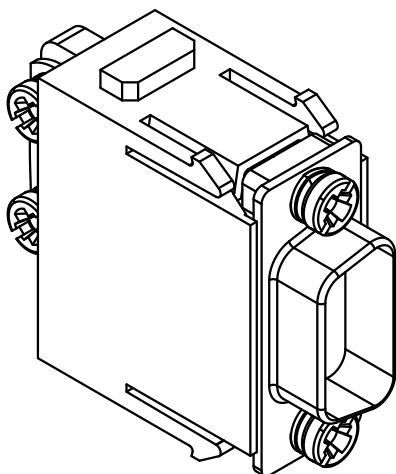
1 2 3 4 5 6

A

B

C

D



| | | | | | | |
|---|------|-------------------|--------------------------------|--------------|---|-------------|
| All Dimensions in mm Original Size DIN A 4 | | Techn. Character. | | | Nicht tolerierte Maß/Free size tolerances | |
| | | | Dat. | Name | Maßstab/Scale 2:1 | Han D-Sub-M |
| | | | Detail. | 30.11.11 Spr | | |
| | | | Insp. | Be | | |
| | | | Stand. | | | |
| A | | | HARTING Electric GmbH & Co. KG | | TB 09 14 009 3001 | Blatt/page |
| Mod. | Dat. | Name | D-32339 Espelkamp | | | |
| | | | | | Sub. TB 09 14 009 3001 v. 03.02.03 | |