

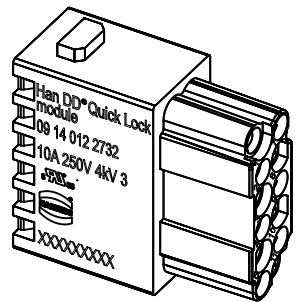
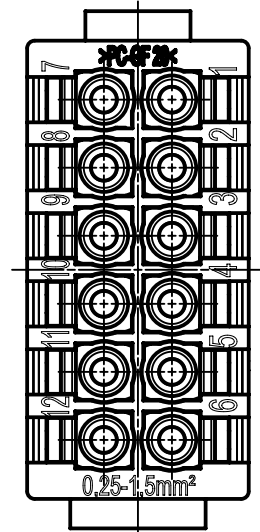
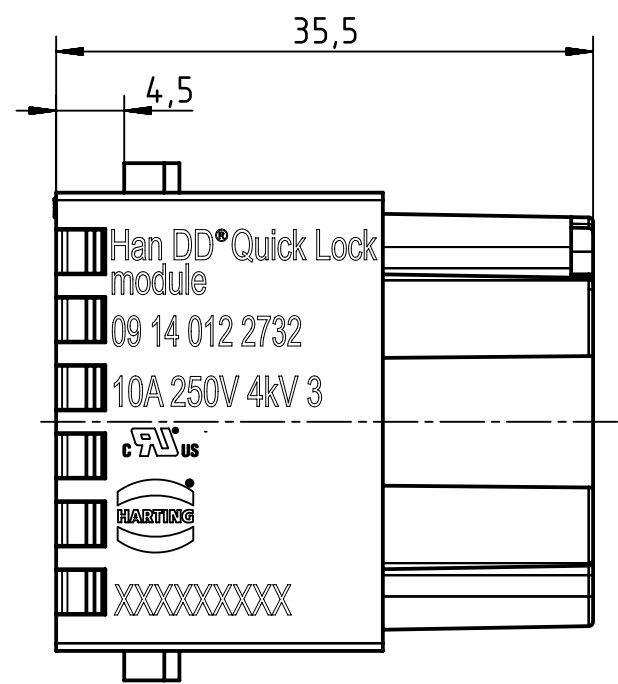
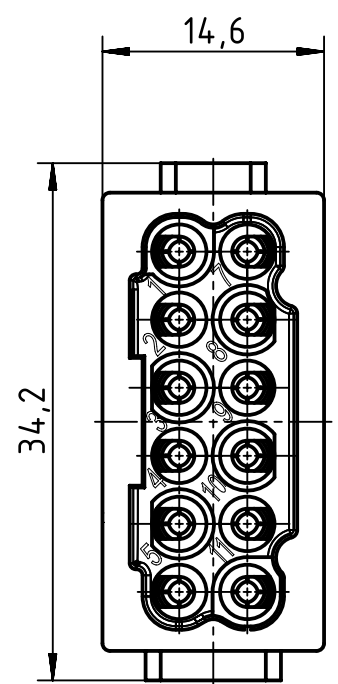
1 2 3 4 5 6

A

B

C

D



	All Dimensions in mm Original Size DIN A4	Scale 2:1		Free size tol.		Ref.		
		Created by SPRENB		Inspected by RIEPE		Standardisation RUETERA		Date 2020-01-17
	All rights reserved		Department EL PD		State Final Release		Doc-Key / ECM-Nr. 100173861/UGD/005/F 500000164340	
	HARTING Electric GmbH & Co. KG D-32339 Espelkamp		Title Han DD Quick-Lock module, female		Type TB		Number 09 14 012 2732	
							Rev. F	Page 1/1