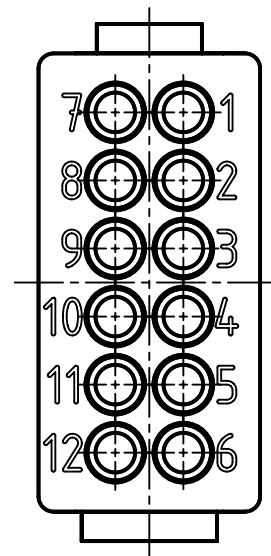
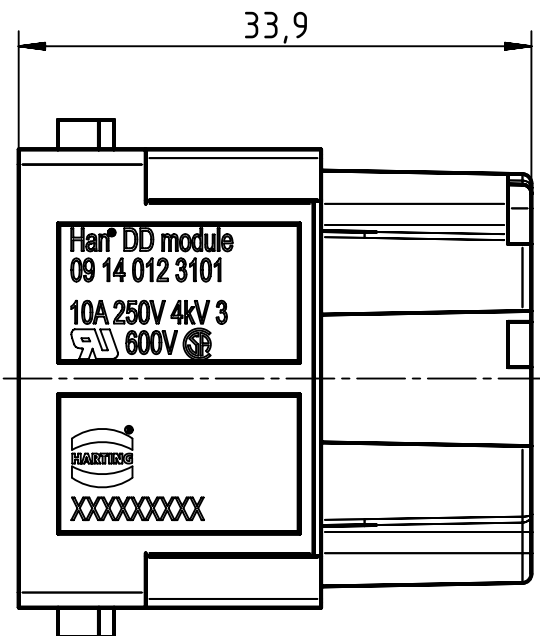
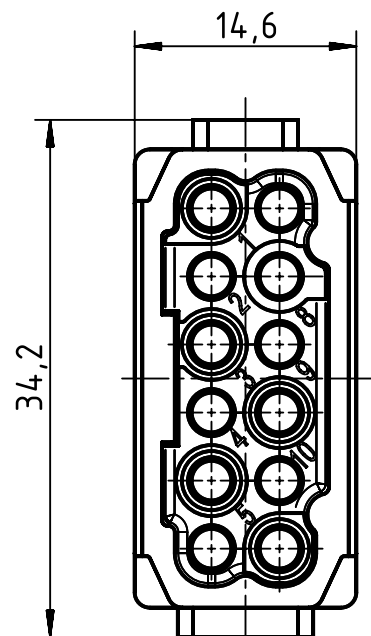


1 2 3 4 5 6

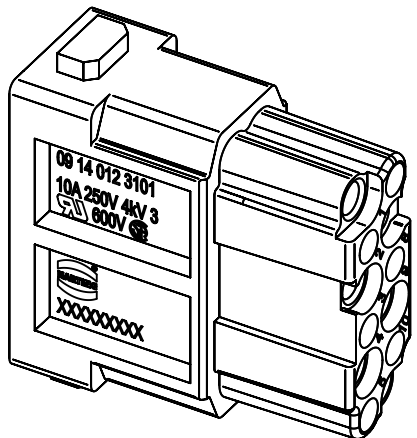
A



B

C

D



	All Dimensions in mm Original Size DIN A4	Scale 2:1		Free size tol.		Ref.	
						Sub.	
	All rights reserved Department EL PD - DE	Created by RULLKOETTER	Inspected by SCHNIEDER	Standardisation TIEMANNA	Date 2014-10-23	State Final Release	
		Title Han DD module, crimp female					Doc-Key / ECM-Nr. 100518613/UGD/001/A 500000081101
HARTING Electric GmbH & Co. KG D-32339 Espelkamp		Type TB	Number 09 14 012 3101			Rev. A	Page 1/1