

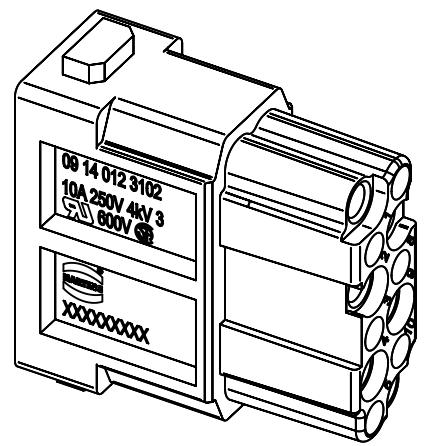
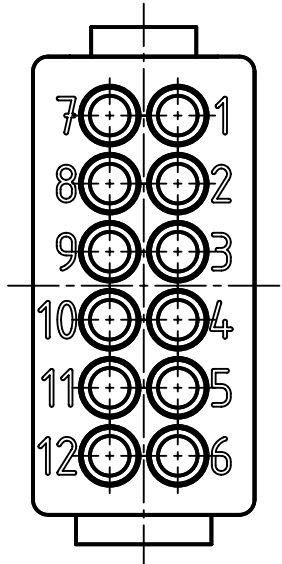
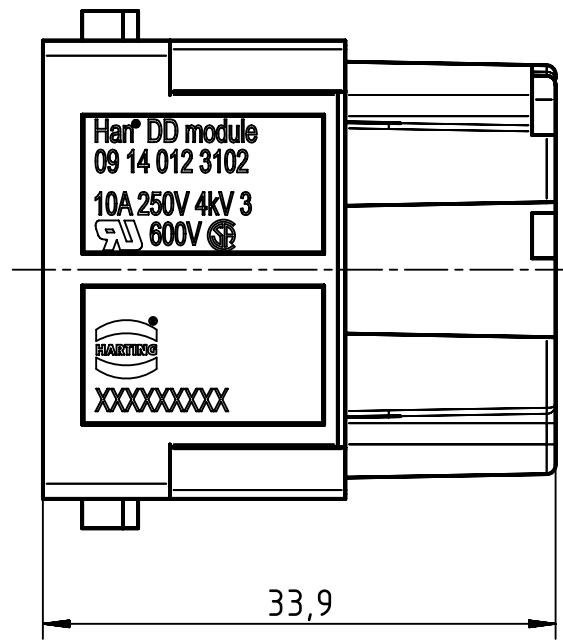
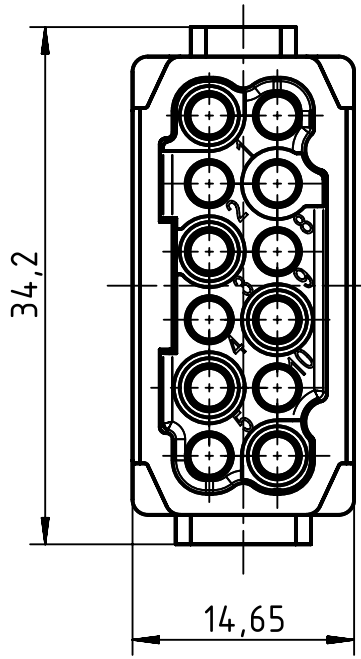
1 2 3 4 5 6

A

B

C

D



	All Dimensions in mm Original Size DIN A4		Scale 2:1	Free size tol.		Ref.		
						Sub.		
	All rights reserved		Created by MOELLERLI	Inspected by RIEPE	Standardisation TIEMANNA	Date 2015-08-24	State Final Release	
	Department EL PD - DE		Title Han DD module, crimp female				Doc-Key / ECM-Nr. 10063134-3/UGD/001/B 500000093568	
HARTING Electric GmbH & Co. KG D-32339 Espelkamp			Type TB	Number 09 14 012 3102			Rev. B	Page 1/1