

1 2 3 4 5 6

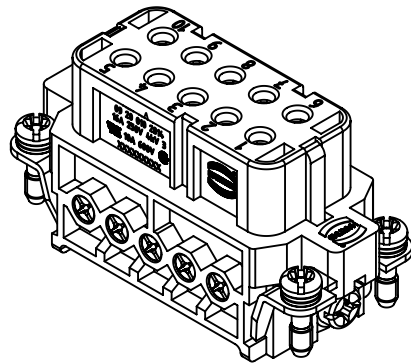
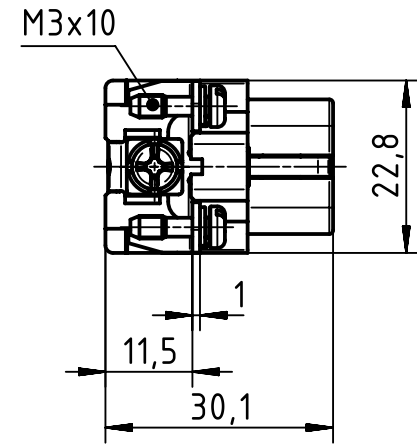
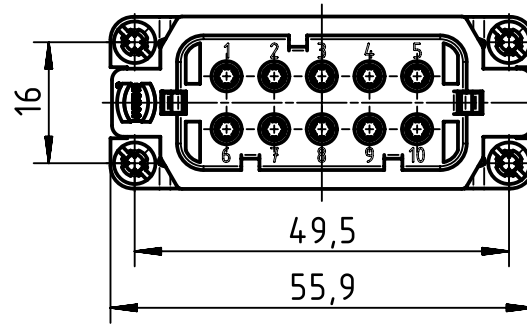
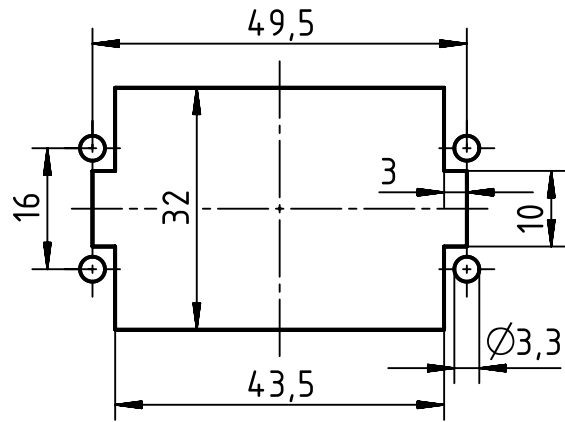
A

B

C

D

panel cut out



	All rights reserved Department EL PD HARTING Electric GmbH & Co. KG D-32339 Espelkamp	All Dimensions in mm Original Size DIN A4		Scale 1:1	Free size tol.	Ref. Sub.
		Created by FINKEV	Inspected by RIEPE	Standardisation RUETERA	Date 2020-03-06	State Final Release
Title Han 10A-F-S, w. Wire Protection				Type TB	Number 09 20 010 2814	Rev. C Page 1/1