

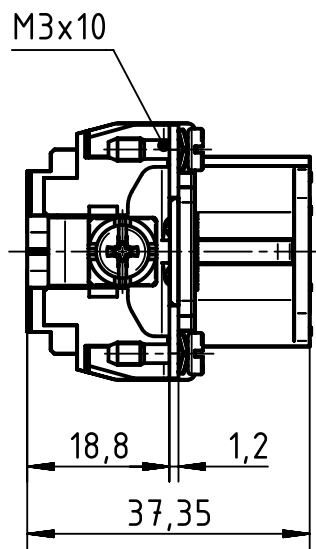
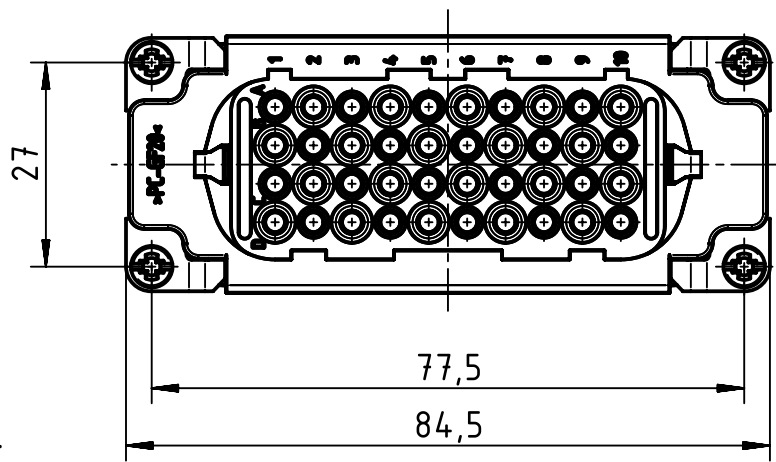
1 2 3 4 5 6

A

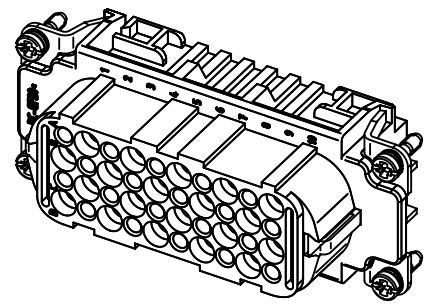
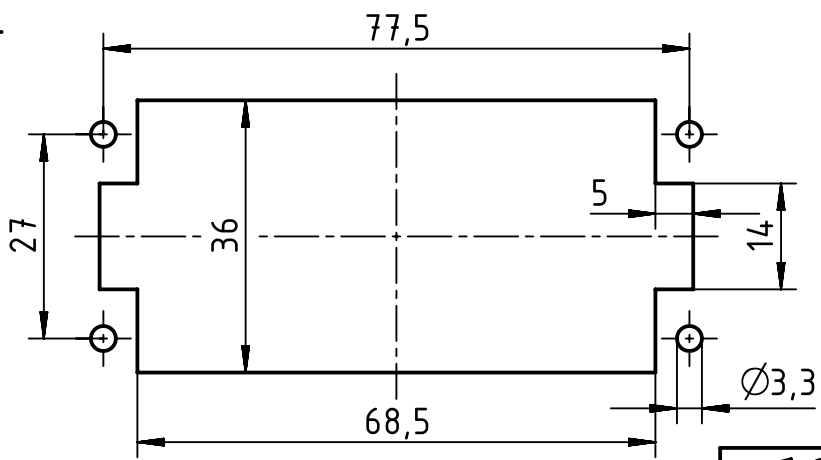
B


C

D



panel cut out



	All rights reserved		Created by		Inspected by		Standardisation		Date		State	
	Department EL PD - DE		MATAU		PRIESTER		TIEMANNA		2016-09-15		Final Release	
HARTING Electric GmbH & Co. KG		Title Han D 40 Pos. F Insert Crimp								Doc-Key / ECM-Nr. 100125212/UGD/005/A 500000102265		
D-32339 Espelkamp		Type TB		Number 09 21 040 3101				Rev. A		Page 1/1		